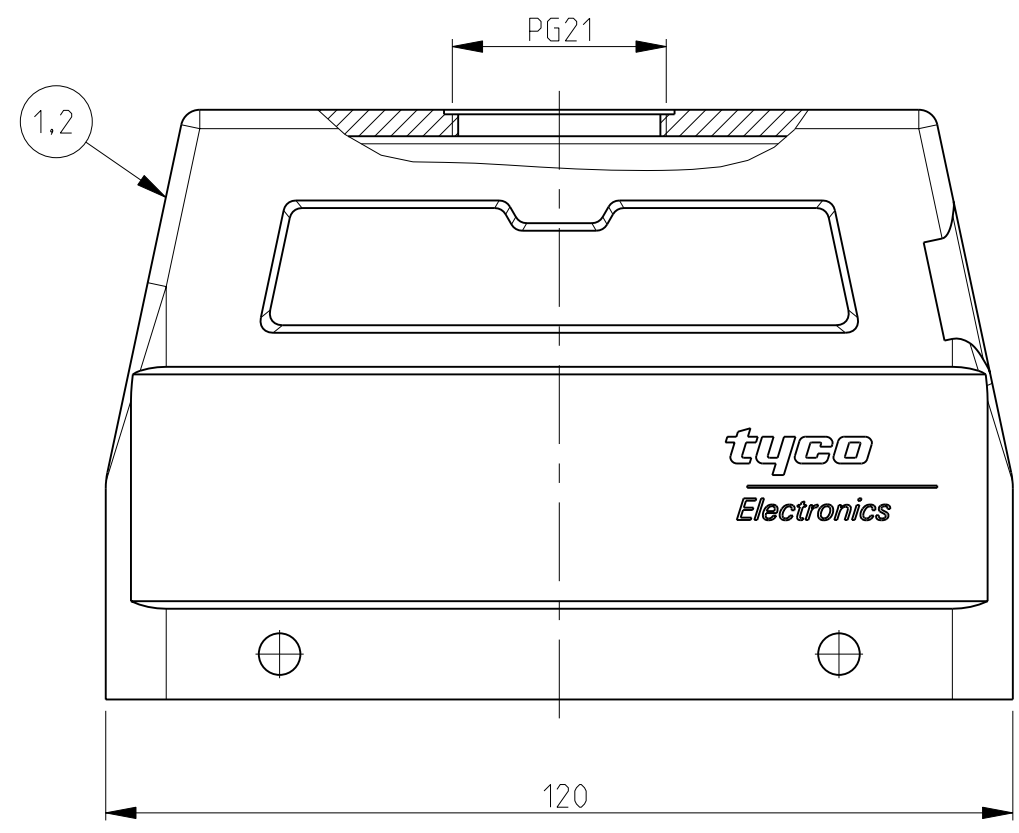
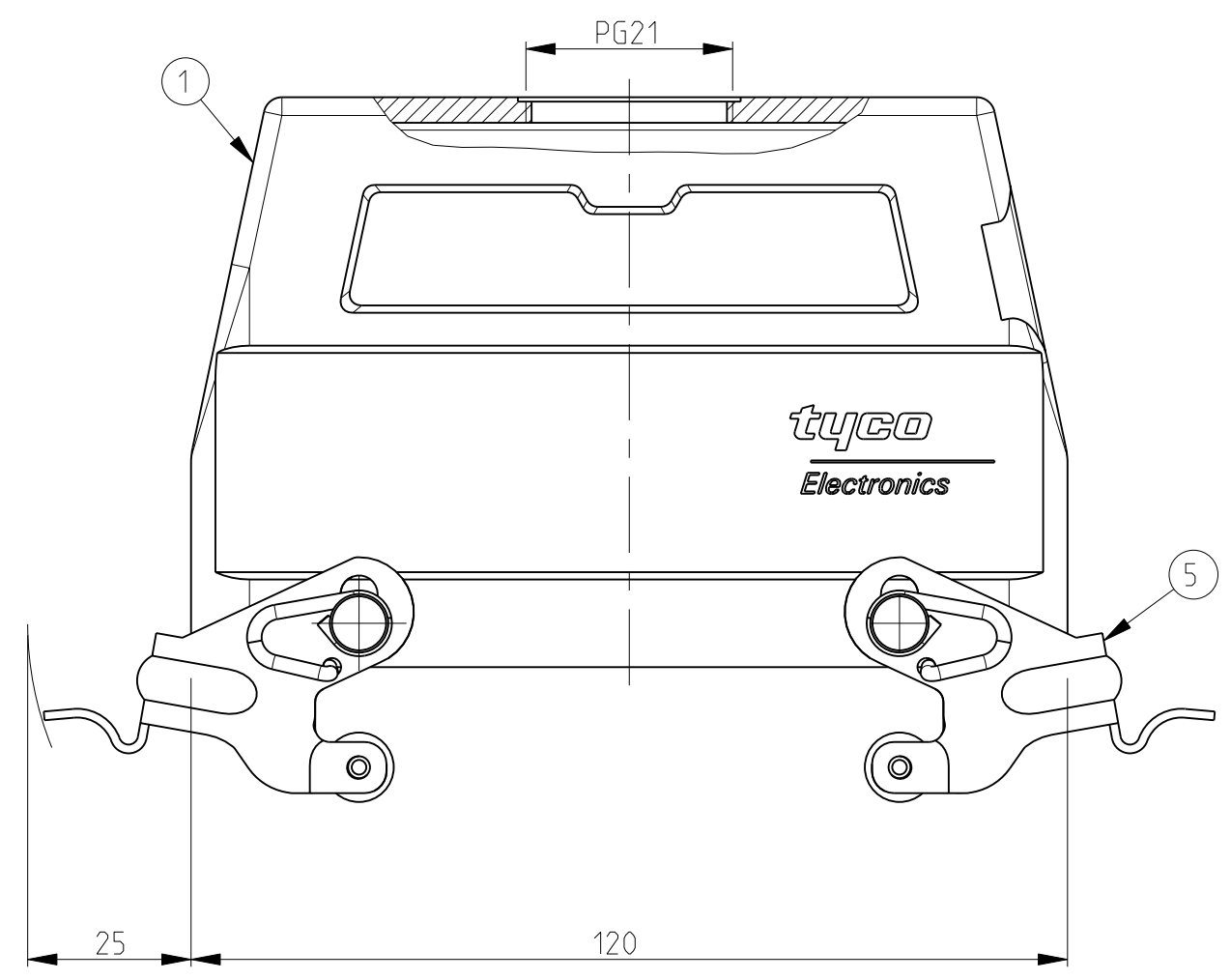
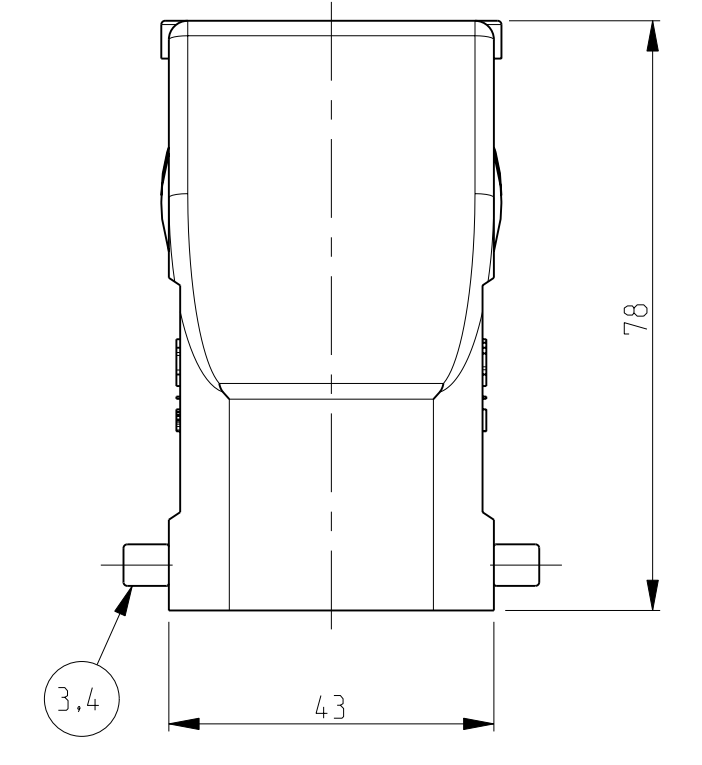


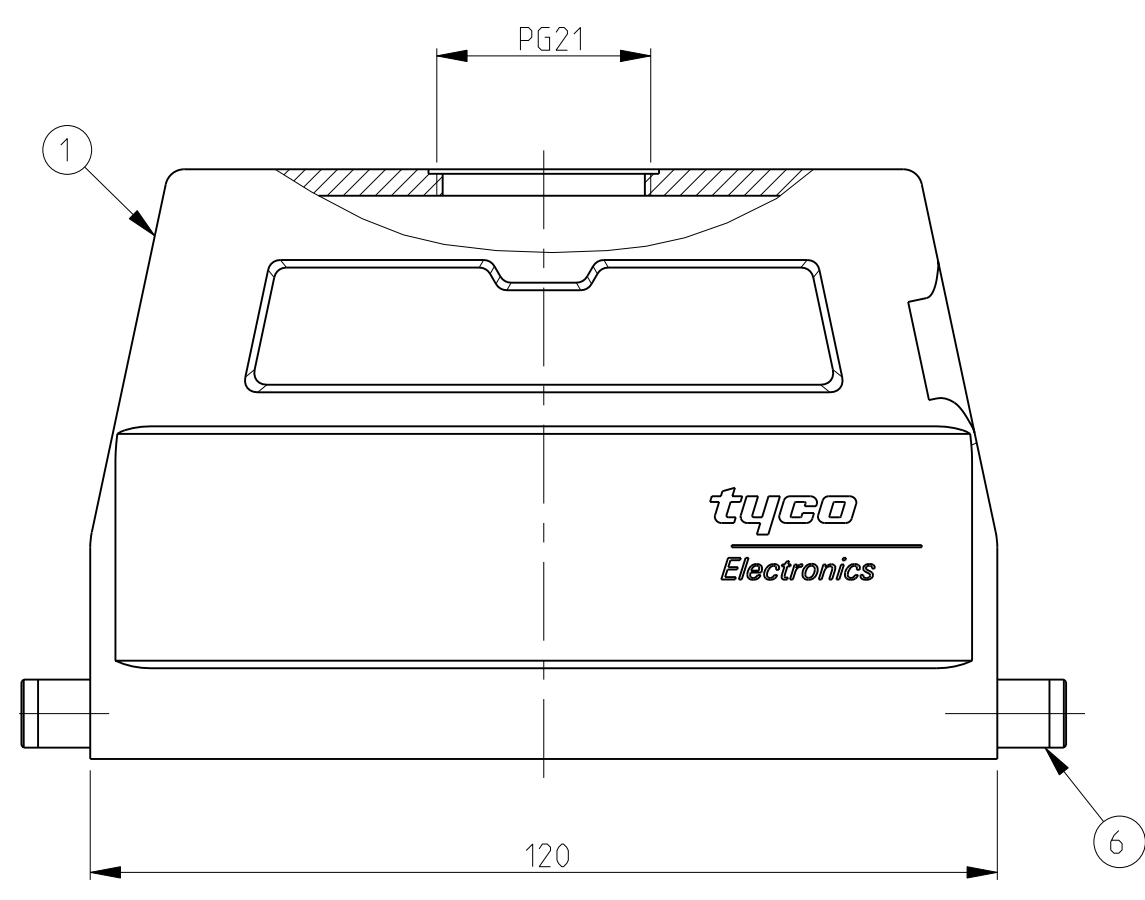
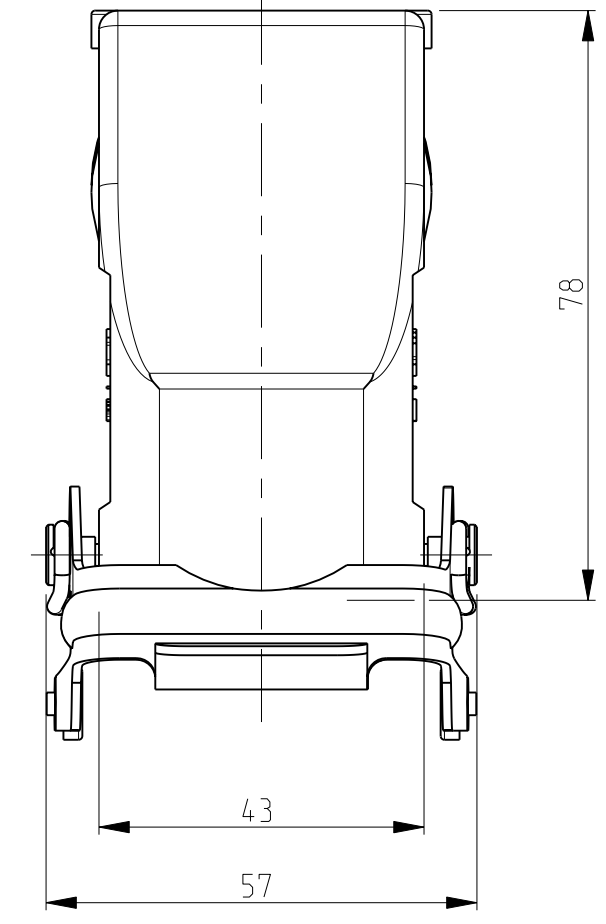
LOC	DIST	REVISIONS			
P	LTR	DESCRIPTION	DATE	DWN	APVD
A5		Released as per ECR-08-004369	20.02.2008	SP	TS



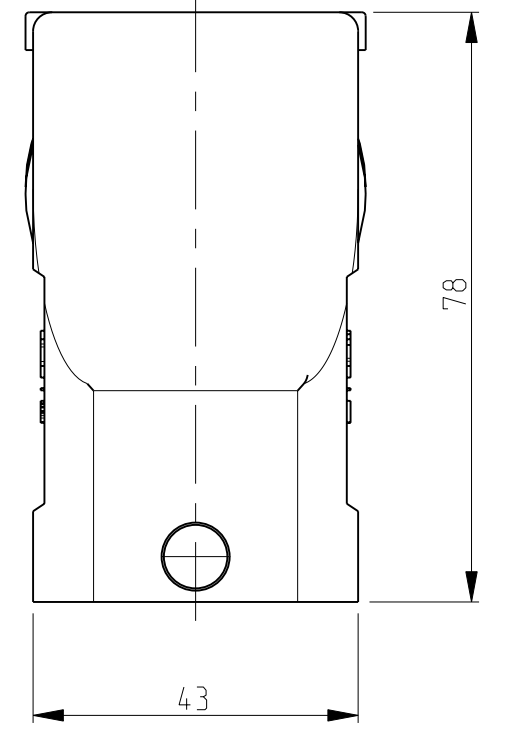
PN 1-6 & 2-6



PN 1-1

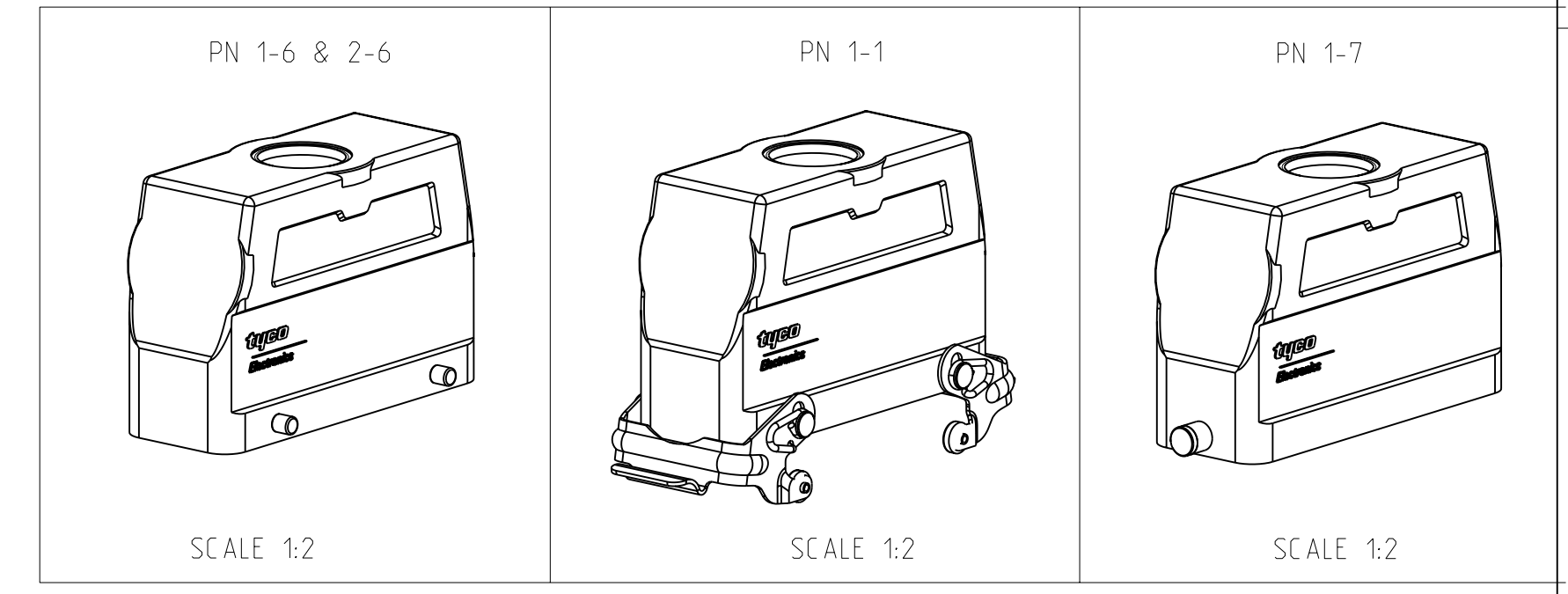


PN 1-7



NOTES.

- 1 Material:Housing:Aluminium Diecasting Alloy  
Seats:Neoprene
- 2 Surface-Powder Varnish Grey  
-Aluminium Oxide +  
Varnish Black
- 3 Varnish on the inside not necessary
- 4 Packaging  
Quantity 5 Pieces in a box



QTY	DESCRIPTION	MATERIAL	SURFACE	COLOR	ITEM NO	REMARKS
1	Hood HD.64.Pg2.21	Aluminium	-	Grey	8	
2	ZB-Central clip	Steel	Zinc plated	Blue	7	
2	LB-Clip bolt	Steel	Zinc plated	Blue	6	
2	VS-Side clip	Steel	Zinc plated	Blue	5	
4	VS-Clip bolt	Stainless steel	-	-	4	
4	VS-Clip bolt	Steel	Zinc plated	Blue	3	
1	Hood HD.64.Pg1.21	Aluminium	Aluminium oxide	Black	2	
1	Hood HD.64.Pg1.21	Aluminium	-	Grey	1	

DIMENSIONS: mm  
 TOLERANCES UNLESS OTHERWISE SPECIFIED:  
 0 PLU ±  
 1 PLU ±  
 2 PLU ±  
 3 PLU ±  
 4 PLU ±  
 ANGLES ±  
 FINISH -

DWN Schneider 09.12.98  
 CHK Schneider 09.12.98  
 APVD Schneider

Tyco Electronics Tyco Electronics AMP GmbH  
 0-53819-Neunkirchen,Germany

NAME Hood  
 HD.64.Sto.1.21.G  
 PRODUCT SPEC 108-74001  
 108-74003  
 APPLICATION SPEC 114-74001  
 114-74004

WEIGHT -  
 CUSTOMER DRAW ING

SCALE 1:1 SHEET 1 OF 1 REV A5