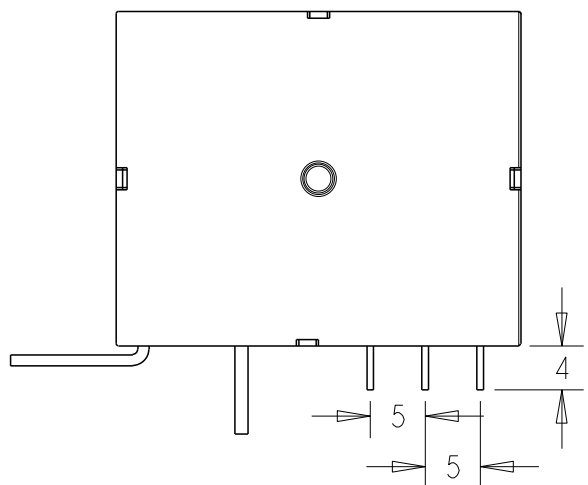
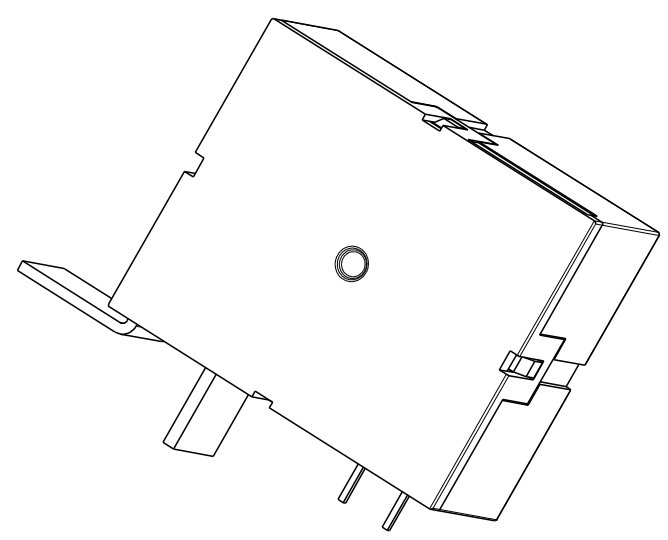
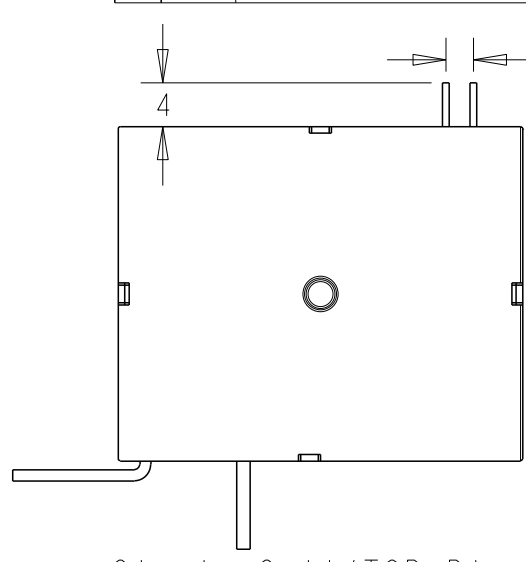


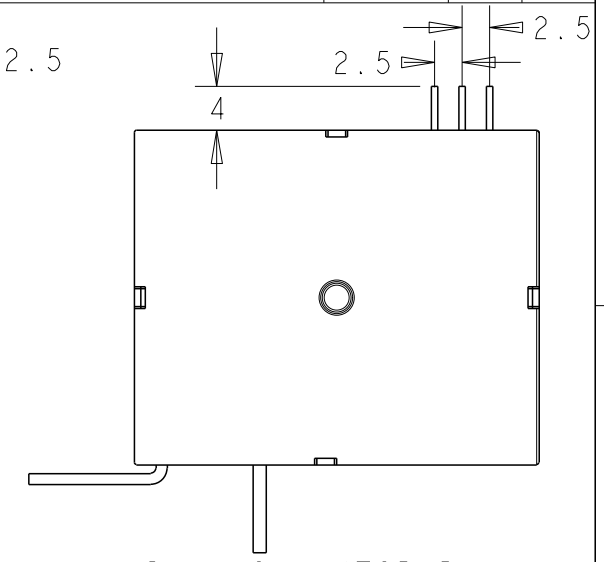
REVISIONS				
P	LTR	DESCRIPTION	DATE	APVD



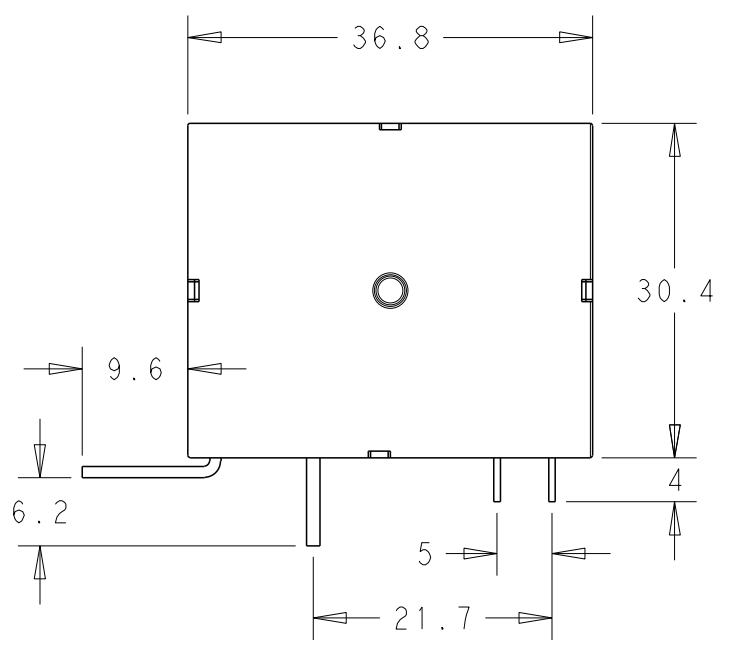
Dual Coil/Bottom Pin



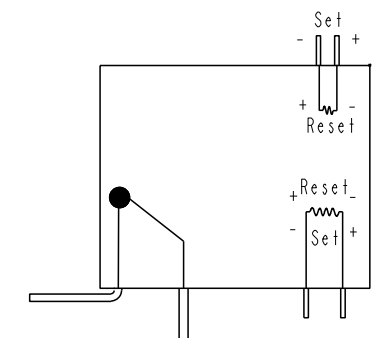
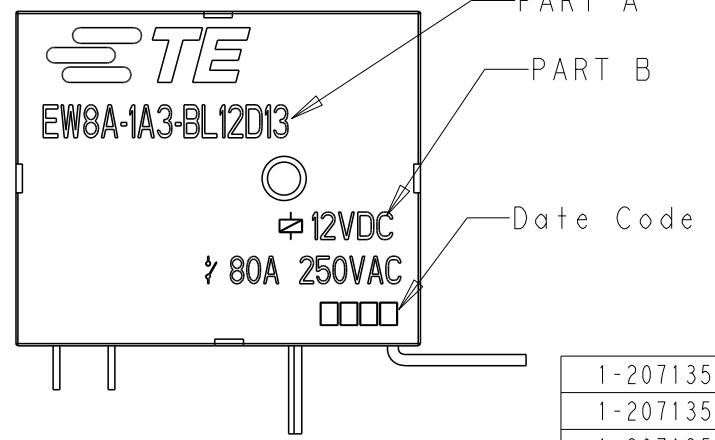
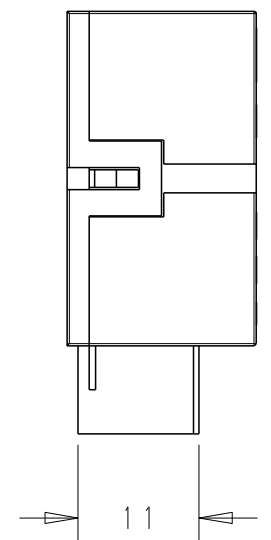
Single Coil/TOP Pin



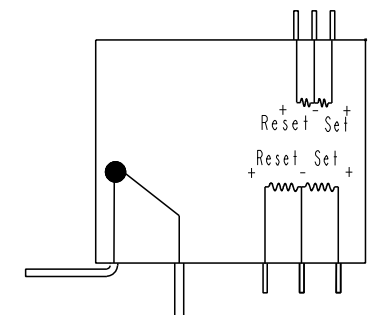
Dual Coil/TOP Pin



Single Coil/Bottom Pin



Single Coil

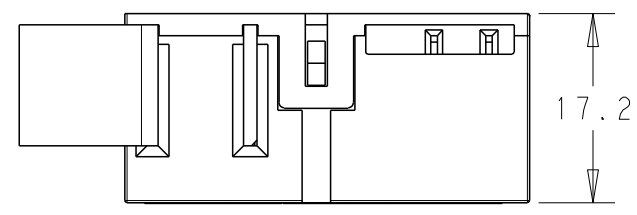


Dual Coil

Wire Connection drawing

DIMENSION	TOLERANCE
<= 1mm	±0.2
1~5mm	±0.3
>= 5mm	±0.4

PART NO	DESCRIPTION	PART A	PART B	ITEM
1-2071352-2	Dual coil/Top Pin(24V)	EW82-1A3-C024D00	24V	12
1-2071352-1	Dual coil/Top Pin(12V)	EW82-1A3-C012D00	12V	11
1-2071352-0	Dual coil/Top Pin(9V)	EW82-1A3-C009D00	9V	10
2071352-9	Single coil/Top Pin(24V)	EW82-1A3-B024D00	24V	9
2071352-8	Single coil/Top Pin(12V)	EW82-1A3-B012D00	12V	8
2071352-7	Single coil/Top Pin(9V)	EW82-1A3-B009D00	9V	7
2071352-6	Dual coil/Bottom Pin(24V)	EW80-1A3-C024D00	24V	6
2071352-5	Dual coil/Bottom Pin(12V)	EW80-1A3-C012D00	12V	5
2071352-4	Dual coil/Bottom Pin(9V)	EW80-1A3-C009D00	9V	4
2071352-3	Single coil/Bottom Pin(24V)	EW80-1A3-B024D00	24V	3
2071352-2	Single coil/Bottom Pin(12V)	EW80-1A3-B012D00	12V	2
2071352-1	Single coil/Bottom Pin(9V)	EW80-1A3-B009D00	9V	1



THIS DRAWING IS A CONTROLLED DOCUMENT.

DIMENSIONS: mm	TOLERANCES UNLESS OTHERWISE SPECIFIED: 0 PLC ± 1 PLC ± 2 PLC ± 3 PLC ± 4 PLC ± ANGLES ±	MATERIAL TBD	FINISH -	DWN Andrew Fu 15NOV2013 CHK Xiaoning Zhang APVD Sunny Zhang PRODUCT SPEC APPLICATION SPEC WEIGHT - CUSTOMER DRAWING	NAME Sunny Zhang SIZE A3 CAGE CODE - DRAWING NO ©=2071352 RESTRICTED TO -
-------------------	---	-----------------	-------------	---	--

STE TE Connectivity

EW8X Angle Type Customer Drawing

SCALE 1:1 SHEET 1 OF 1 REV A