

Technical specification:

| | |
|--------------------------------------|--|
| Rated voltage: IEC 61076-2-104 | 30 V |
| Current rating: IEC 61076-2-104 | 3 A at 40°C |
| Insulation resistance: IEC 60512 | >=100 MΩ |
| Pollution degree: IEC 60664-1 | 3/2 |
| Degree of protection: DIN 40050-9 | IP 69K, in mated condition |
| Temperature range: IEC 60664-1 | -30°C ... +85°C (temporary till +105°C) |
| Mating cycles: IEC 60512-9a | >=100 |

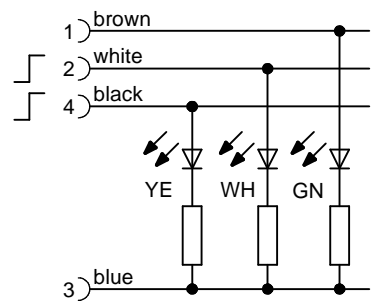
Materials:

| | |
|------------------|---------------------------------------|
| Contact: | CuZn |
| Contact plating: | Nickel, gold plated |
| Contact carrier: | Thermoplastic GF, UL 94 |
| Sealing: | FPM |
| Coupling nut: | 1.4404 stainless steel |
| Moulding body: | Thermoplastic elastomere, translucent |

Installation specification:

| | |
|--------------------------|--|
| Recommended torque: | 0,4 Nm |
| Conec installation tool: | Torque wrench: 36-000200 Insert across flats 9: 36-000210 |

Contact assignment:



| Part no: | Description: | Length L: | Cable: |
|----------|-------------------------------------|-----------|---|
| 42-10504 | SAL - FB - 8 - RKW4 - 3L - 2 / P1 | 2m | PP, orange, 4x0,25mm ² Cable: 781-P12400 |
| 42-10505 | SAL - FB - 8 - RKW4 - 3L - 3 / P1 | 3m | |
| 42-10506 | SAL - FB - 8 - RKW4 - 3L - 5 / P1 | 5m | |
| 42-10507 | SAL - FB - 8 - RKW4 - 3L - 10 / P1 | 10m | |
| 42-xxxxx | SAL - FB - 8 - RKW4 - 3L - ... / P1 | x | |

D see data sheet cable

| | | | | | | | | | | | | |
|--|--|--|---|--|------|------|-------|----------|---------|-------|----------|-------|
| DO NOT ALTER CAD DRAWING BY HAND Directive 2002/95/EC RoHS compliant | Index: a 30.03.11 VF Ä3909 technical specification changed, part no. cable in table added, data sheet modified | dim. in mm | title: Female connector M8x1 angled with LED, FB | | | | | | | | | |
| | tolerance of cable: L ≤ 4m: L + 40mm L > 4m: L + 1% | <table border="1" style="width:100%; border-collapse: collapse;"> <tr> <td style="width: 30px;"></td> <td style="width: 100px;">date</td> <td style="width: 100px;">name</td> </tr> <tr> <td>drawn</td> <td>16.10.08</td> <td>Mankopf</td> </tr> <tr> <td>appd.</td> <td>16.10.08</td> <td>Fromm</td> </tr> </table> | | | date | name | drawn | 16.10.08 | Mankopf | appd. | 16.10.08 | Fromm |
| | | date | name | | | | | | | | | |
| | drawn | 16.10.08 | Mankopf | | | | | | | | | |
| appd. | 16.10.08 | Fromm | | | | | | | | | | |
| general tolerance: 0 ± 0,50mm 0,0 ± 0,25mm 0,00 ± 0,10mm | | part no: see table | | | | | | | | | | |
| THIS DRAWING MAY NOT BE COPIED OR REPRODUCED IN ANY WAY, AND MAY NOT BE PASSED ON TO A THIRD PARTY WITHOUT WRITTEN PERMISSION. OWNERSHIP AND COPYRIGHT OF CONEC GmbH | | | | | | | | | | | | |