

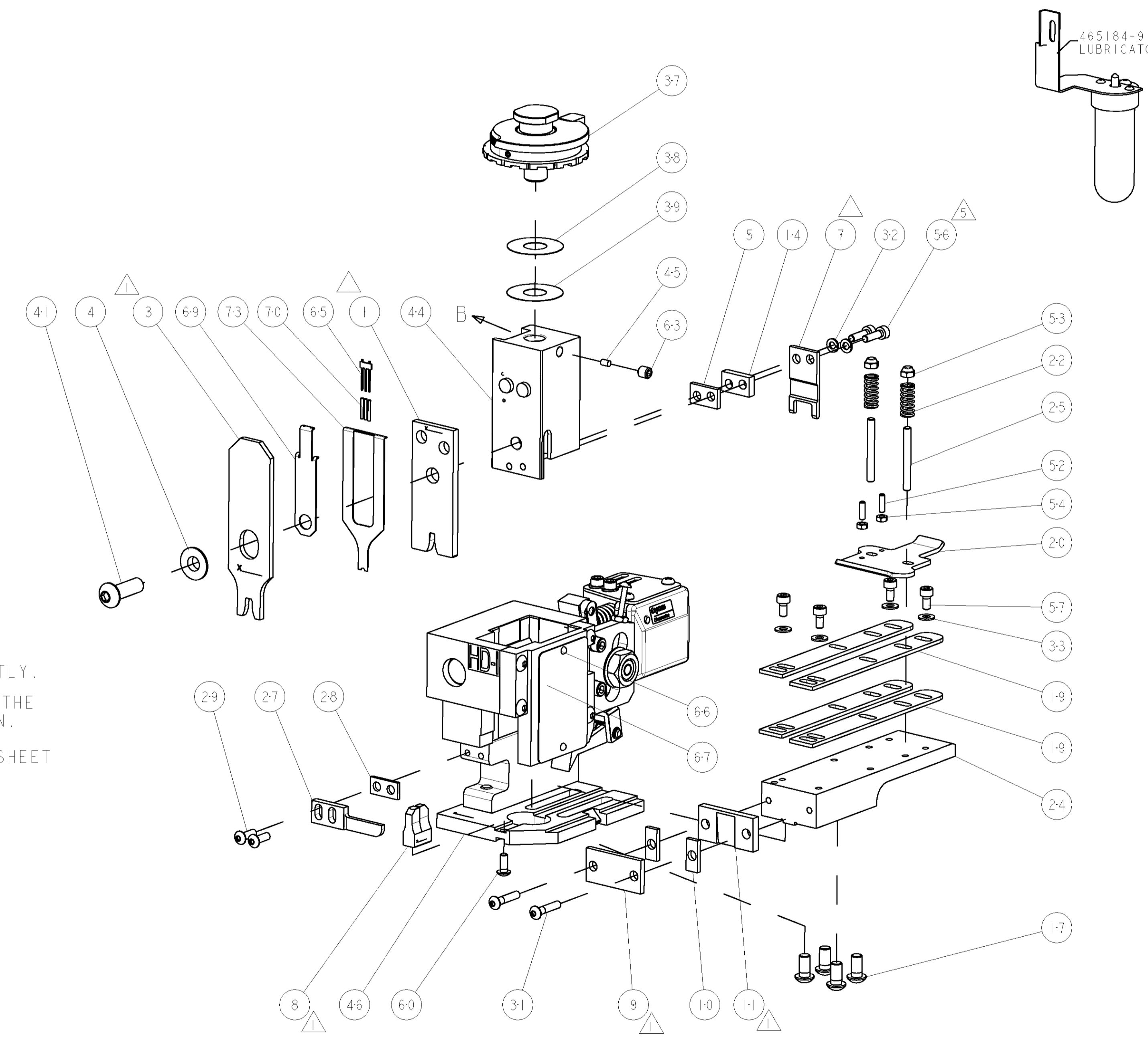
PART NUMBER	REV	TERMINATOR	FEED TYPE	DESCRIPTION
1529209-1	A	BENCH & LEADMAKER	MECH POST FEED	HDI APPLICATOR
7-1529209-1	A	BENCH & LEADMAKER	MECH POST FEED	-1 AND SPARE PARTS
7-1529209-7	A	-	-	SPARE PARTS KIT

LOC	DIST	REV	DATE	BY	APPD
A	66		04JAN2007	DP	MC

CRIMP DATA	TYCO TERMINAL	TYCO CRIMP SPECS
TERMINAL NAME: TERMINAL, SPADE		
CRIMP	SIZE	TYPE
WIRE	3.30 [1.130 IN]	F
INSUL	4.57 [1.180 IN]	F
WIRE STRIP LENGTH SEE APPL SPEC		APPL INSTRUCTIONS 408-8323 & 408-8490
TERMINAL APPL SPEC	114-2084	FEED 21.72 [1.855 IN]

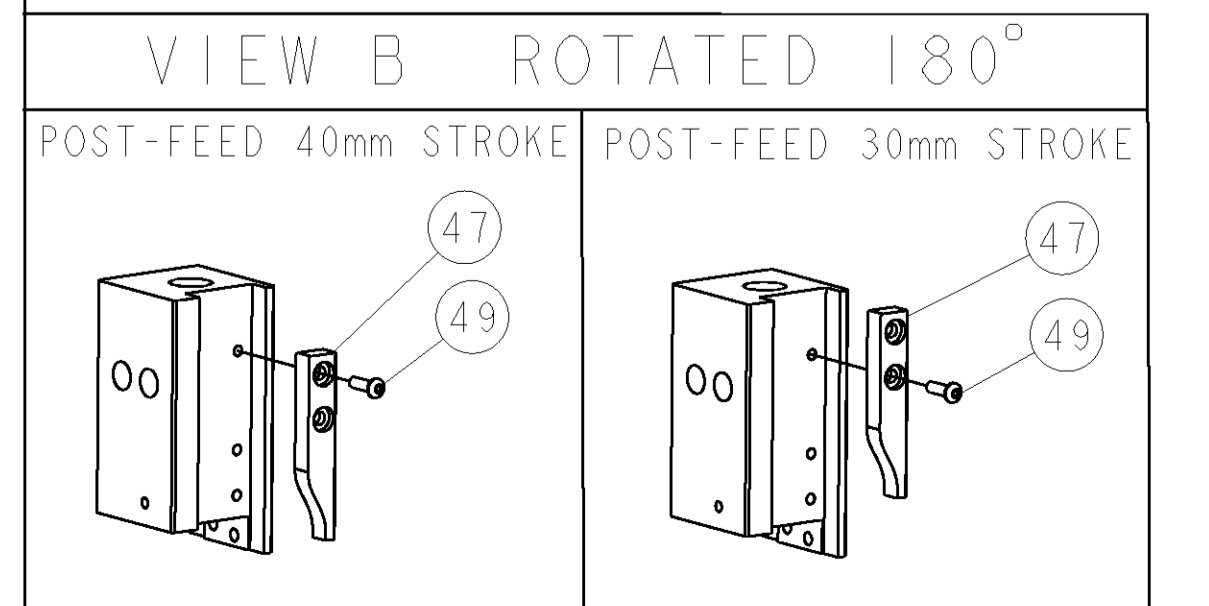
TERMINALS APPLIED			
160113	42169	-	-
160346	60187	-	-
40658	61431	-	-
40808	-	-	-
42168	-	-	-

WIRE SIZE	CRIMP HEIGHT	REF SETTING
14 AWG or 2.50mm ²	2.59 ±0.05 [1.02 ±.002 IN]	B5
16 AWG or 1.50mm ²	2.39 ±0.05 [1.094 ±.002 IN]	D2
18 AWG or 1.00mm ²	2.26 ±0.05 [1.089 ±.002 IN]	E2



- 1. RECOMMENDED SPARE PARTS
- 2. GREASE RAM, CAM, CAM FOLLOWER AND FEED ROD LIGHTLY.
- 3. CERTAIN TERMINALS REQUIRE LUBRICATION. REFER TO THE APPLICATOR INSTRUCTION SHEET FOR MORE INFORMATION.
- 4. LUBRICATE DAILY PER THE APPLICATOR INSTRUCTION SHEET SUPPLIED WITH THE APPLICATOR.
- 5. ITEM 56, CUT TO LENGTH AT ASSEMBLY.

*** WARNING**
 ON INSTALLATION, SET WIRE DISC TO LARGEST WIRE SIZE SETTING. USE OF SETTINGS BELOW MIN. REQUIRED CRIMP HEIGHT SETTING WILL CAUSE DAMAGE TO CRIMP TOOLING.



QTY	LOC	DIST	REV	DATE	BY	APPD
-	1	1		1490525-3	DEPRESSOR, WIRE	73
-	1	1		1338705-4	DOCUMENTATION PACKAGE	71
-	3	3		2-23147-2	SPRING, COMPRESSION	70
-	1	1		1490524-1	DEPRESSOR, SPACER	69
-	1	1		461264-5	PLATE, IDENTIFICATION	67
-	2	2		21017-2	SCREW, DRIVE	66
-	1	1		1424350-1	HOLDER, PIN, WIRED	65
-	1	1		3-18031-0	SCR, SET, CUP POINT M6 X 6.0	63
-	1	1		18024-7	SCR, BTN SKT HD CAP (M4 X 10.0)	60
-	4	4		1-18023-0	SCR, SKT HD CAP M4 X 8.0	57
-	2	2		9-18023-6	SCR, SKT HD CAP M4 X 14.0	56
-	2	2		18029-1	NUT, HEX, REG M3	54
-	2	2		986965-1	NUT, LOCK, HEX, TORQUE (M4)	53
-	2	2		2-18032-2	SCR, SET, FLT POINT M3 X 10.0	52
-	1	1		18024-3	SCR, BTN SKT HD CAP (M3 X 10.0)	49
-	1	1		1338676-1	CAM, UNIVERSAL POST-FEED	47
-	1	1		1338662-1	SUB ASSY, APPLICATOR FRAME	46
-	1	1		690191-1	PLUG, NYLON	45
-	1	1		1333260-1	RAM	44
-	1	1		2-18024-6	SCR, BTN SKT HD CAP (M8 X 25.0)	41
-	1	1		690125-1	SHIM SUB-ASSY	39
-	1	1		469367-1	SHIM	38
-	1	1		879103-2	FINE ADJUST HEAD ASSEMBLY	37
-	4	4		18027-2	WASHER, FLAT, REG M4	33
-	2	2		18025-2	WASHER, SPRG LOCK, REG M4	32
-	2	2		1-18024-0	SCR, BTN SKT HD CAP (M4 X 20.0)	31
-	2	2		18024-8	SCR, BTN SKT HD CAP (M4 X 12.0)	29
-	1	1		3-690451-2	SPACER, STRIPPER	28
-	1	1		240639-1	STRIPPER (MACHINING)	27
-	2	2		1320906-1	STUD, THREADED	25
-	1	1		1320995-1	PLATE, STRIP GUIDE	24
-	2	2		4-22281-1	SPRING, DRAG	22
-	1	1		1338665-1	DRAG	20
-	2	2		1338663-4	GUIDE, LOWER STRIP	19
-	2	2		1338663-4	GUIDE, LOWER STRIP	18
-	4	4		1-18024-8	SCR, BTN SKT HD CAP (M6 X 12.0)	17
-	1	1		1-240641-0	SPACER	14
-	1	1		240644-1	PLATE, REAR SHEAR	11
-	2	2		1-240645-1	SPACER, SHEAR PLATE	10
-	1	1		240642-1	PLATE, FRONT SHEAR	9
-	1	2		1-1333221-2	ANVIL, COMBINATION	8
-	1	1		2-240651-8	BLADE, SLUG	7
-	1	1		1-240641-6	SPACER	5
-	1	1		238009-1	BLOCK, FL CRIMPER SPACER	4
-	1	2		3-1424909-0	CRIMPER, INSULATION F	3
-	1	2		456424-2	CRIMPER, WIRE PREMIUM	1

QTY	LOC	DIST	REV	DATE	BY	APPD	
-77	-71	-1			PART NO	DESCRIPTION	ITEM NO