

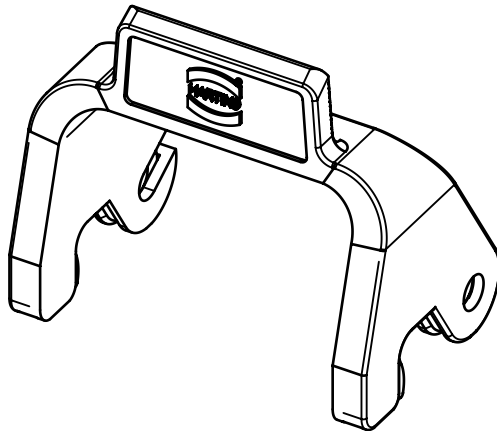
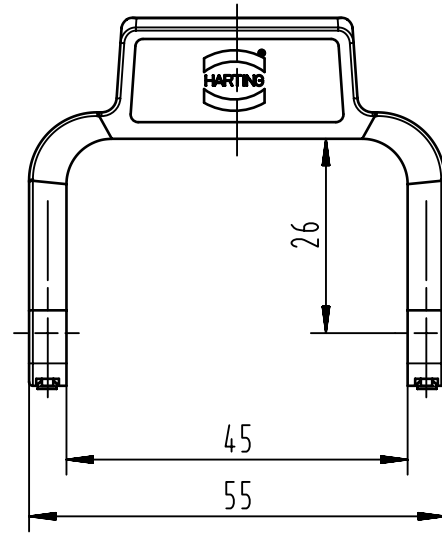
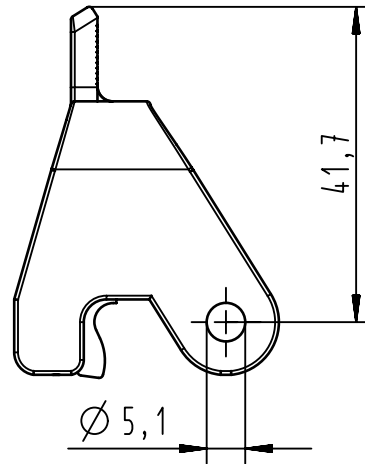
1 2 3 4 5 6

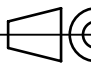

A

B

C

D



	All Dimensions in mm Original Size DIN A4	Scale 1:1		Free size tol.		Ref.	
						Sub. TB 09000005246 vom 28.04.2009	
	All rights reserved	Created by HARLASSK	Inspected by TIEMANNA	Standardisation SCHMIDTM	Date 2012-07-27	State Final Release	
	Department EL PD - DE	Title Double lever Han 10/16/24B black				Doc-Key / ECM-Nr. 100508519/UGD/002/B 500000053785	
HARTING Electric GmbH & Co. KG D-32339 Espelkamp		Type TB	Number 09 00 000 5246			Rev. B	Page 1/1