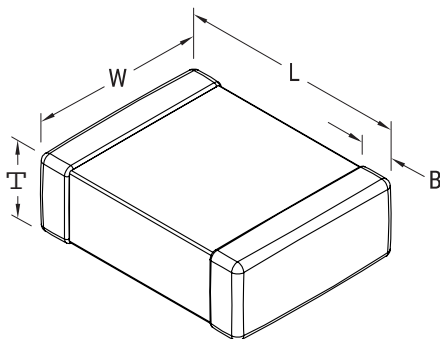


KEMET Part Number: LDECE4100KA5N00
(DECE4100KA5N00)

LDE, Film, Metallized PEN Stacked, Automotive Grade, 1 uF, 10%, 40 VAC, 50 VDC, 125C, 2824, 3.1mm



| General Information | |
|---------------------|------------------------|
| Supplier: | KEMET |
| Series: | LDE |
| Dielectric: | Metallized PEN Stacked |
| Style: | SMD Chip |
| Features: | Automotive Grade |
| RoHS: | Yes |
| Qualifications: | AEC-Q200 |
| AEC-Q200: | Yes |
| Shelf Life: | 104 Weeks |
| MSL: | 3 |

| Dimensions | |
|------------|-------------------|
| Chip Size | 2824 |
| L | 7.3mm +/-0.4mm |
| W | 6.1mm +/-0.4mm |
| T | 3.1mm MAX |
| B | 0.5mm +0.5/-0.3mm |

| Specifications | |
|------------------------|------------|
| Capacitance: | 1 uF |
| Capacitance Tolerance: | 10% |
| Voltage AC: | 40 VAC |
| Voltage DC: | 50 VDC |
| Temperature Range: | -55/+125C |
| Rated Temperature: | 125C |
| Dissipation Factor: | 0.80% 1kHz |
| Insulation Resistance: | 400 MOhms |
| Max dV/dt: | 100 V/us |

| Packaging Specifications | |
|--------------------------|------|
| Packaging: | T&R |
| Packaging Quantity: | 2250 |