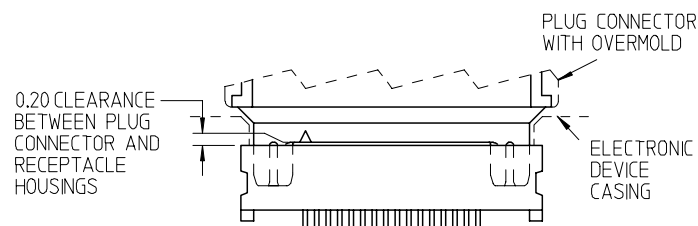


ISOMETRIC VIEW
16 CIRCUIT MODULE

MODULE WITH VOIDED CIRCUITS
(EXAMPLE)

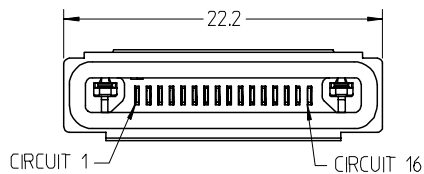
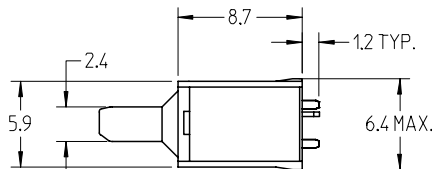
NOTES:

- MATERIALS:
HOUSING - THEROPLASTIC, UL94V-0, COLOR: BLACK
TERMINALS - COPPER ALLOY
LATCHES - STAINLESS STEEL
- FINISHES: GOLD OVER PALLADIUM-NICKEL ON CONTACT AREAS,
TIN ON SOLDER AREAS, BOTH OVER NICKEL.
- PRODUCT SPECIFICATION: PS-44828-001
APPLICATION SPECIFICATION: AS-44828-001
- PLEASE REFER TO MOLEX APPLICATION SPECIFICATION NO. AS-45593-001
FOR RECOMMENDATIONS FOR OVER-MOLDING AFTER CABLE ASSEMBLY.
- PACKAGED IN VACUUM-FORMED TRAYS (2100 PIECES PER CARTON).

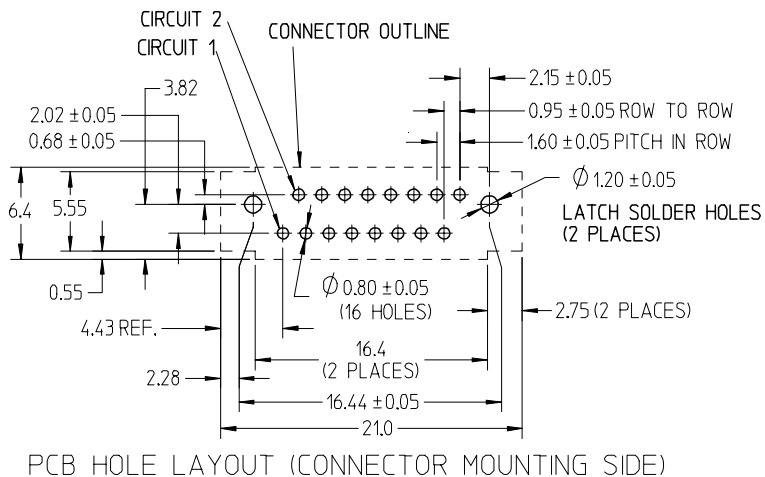


RECOMMENDATIONS FOR CONFIGURATION
OF MATED CONNECTORS

IMPORTANT: PLEASE REFER TO MOLEX APPLICATION SPECIFICATION
AS-44828-001 FOR DETAILED DESIGN LAYOUT AND MATING REQUIREMENTS



NO. OF CIRCUITS	1	2	3	4	5	6	7	8	9	10	11	12	13	14	15	16	MATERIAL NO.S
5				X	X	X	X									X	455931607
14	X	X	X	X	X	X			X	X	X	X	X	X	X	X	455931606
15	X	X	X	X	X	X	X	X	X	X	X	X	X	X		X	455931605
10	X	X	X	X	X	X		X	X		X	X					455931604
9	X							X	X	X	X	X	X				455931603
8	X								X	X	X	X	X			X	455931602
2	X															X	455931601
16	X	X	X	X	X	X	X	X	X	X	X	X	X	X	X	X	455931600

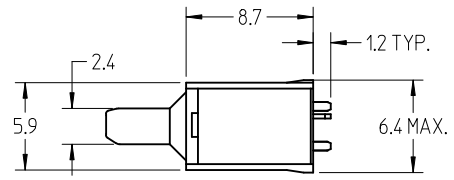
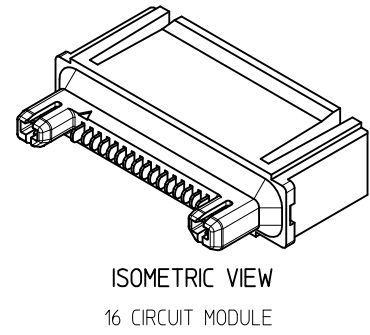
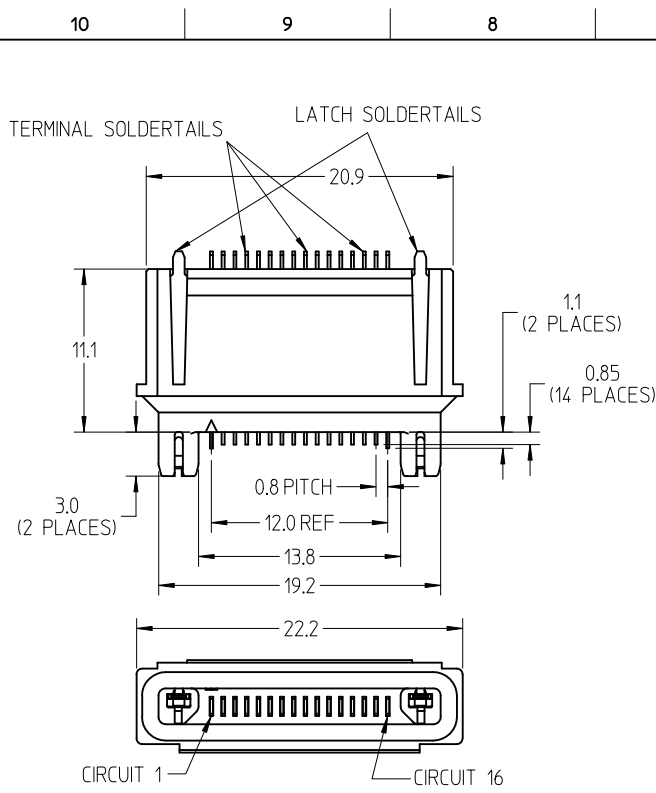


REVISED PER EC EC NO: UCP2006-2962 DRWN:MSIMMEL 2006/08/07 CHKD:MSIMMEL 2006/08/07 APPR:JCOMERCI 2006/08/29	QUALITY SYMBOLS ▽ - 0 ▽ - 0	GENERAL TOLERANCES (UNLESS SPECIFIED) mm INCH 4 PLACES ± --- ± --- 3 PLACES ± --- ± --- 2 PLACES ± 0.10 ± --- 1 PLACE ± 0.13 ± --- ANGULAR ± 1/2°	SCALE 3:1 DESIGN UNITS METRIC THIRD ANGLE PROJECTION REVISE ON CAD ONLY
---	-----------------------------------	---	--

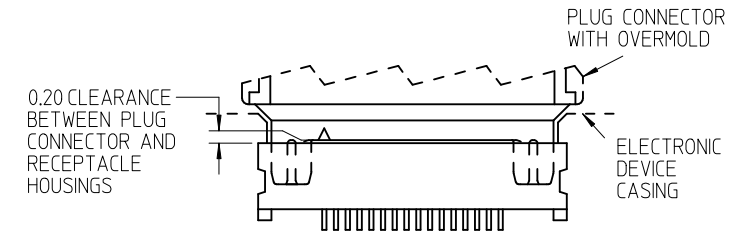
REVISIONS REV DESCRIPTION	DIMENSION STYLE MM ONLY DRAWN BY DATE MSIMMEL 20051213 CHECKED BY DATE MSIMMEL 20051213	TITLE 0.8MM HANDYLINK™ PLUG CONNECTOR MODULES FOR PCB TERMINATION MOLEX INCORPORATED	MATERIAL NO. SEE CHART DOCUMENT NO. SD-45593-001 SHEET NO. 1 OF 26
------------------------------	---	--	--

DRAFT WHERE APPLICABLE
MUST REMAIN WITHIN DIMENSIONS

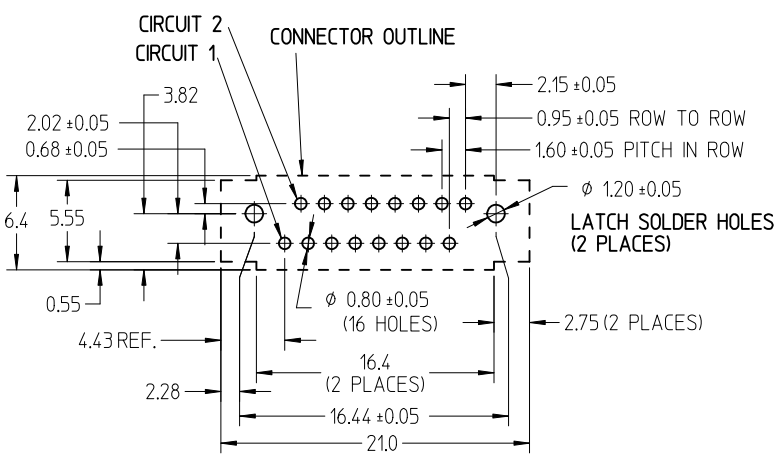
THIS DRAWING CONTAINS INFORMATION THAT IS PROPRIETARY TO MOLEX INCORPORATED AND SHOULD NOT BE USED WITHOUT WRITTEN PERMISSION



- NOTES:
1. MATERIALS:
HOUSING - THERMOPLASTIC, UL94V-0, COLOR: BLACK
TERMINALS - COPPER ALLOY
LATCHES - STAINLESS STEEL
 2. FINISHES: GOLD OVER PALLADIUM-NICKEL ON CONTACT AREAS,
TIN ON SOLDER AREAS, BOTH OVER NICKEL.
 3. PRODUCT SPECIFICATION: PS-44828-001.
APPLICATION SPECIFICATION: AS-44828-001
 4. PACKAGED IN VACUUM-FORMED TRAYS (924 PIECES PER PRIMARY CARTON).
 5. CIRCUITS 1 AND 16 ARE FIRST MATE/LAST BREAK.



IMPORTANT: PLEASE REFER TO MOLEX APPLICATION SPECIFICATION AS-44828-001 FOR DETAILED DESIGN LAYOUT AND MATING REQUIREMENTS



INITIAL RELEASE EC NO: UCP2012-1647 DRW:DMORGAN 2011/12/20 CHK:MI BARRA 2011/12/20 APPR:SMILLER 2012/02/03	DESCRIPTION REV	QUALITY SYMBOLS	GENERAL TOLERANCES (UNLESS SPECIFIED)	DIMENSION STYLE	SCALE	DESIGN UNITS	THIRD ANGLE PROJECTION
		$\nabla F=0$ $\nabla E=0$ $\nabla A=0$	mm INCH 4 PLACES ± --- ± --- 3 PLACES ± --- ± --- 2 PLACES ± 0.13 ± --- 1 PLACE ± 0.15 ± --- ANGULAR ± 1/2°	MM ONLY	3:1	METRIC	
			DRAWN BY DATE DMORGAN 2011/12/20 CHECKED BY DATE MI BARRA 2011/12/20 APPROVED BY DATE SMILLER 2012/02/03	TITLE			
		DRAFT WHERE APPLICABLE MUST REMAIN WITHIN DIMENSIONS	MATERIAL NO. 45593-3600	DOCUMENT NO. SD-45593-3600	SHEET NO. 1 OF 1		