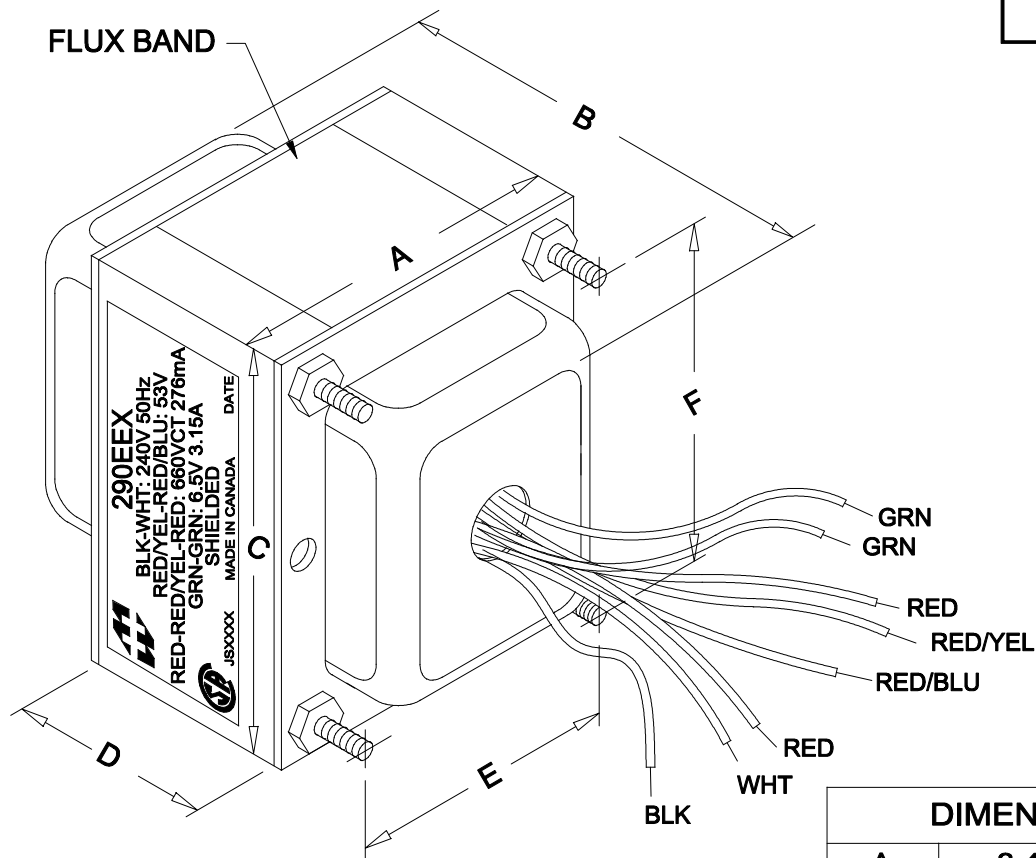
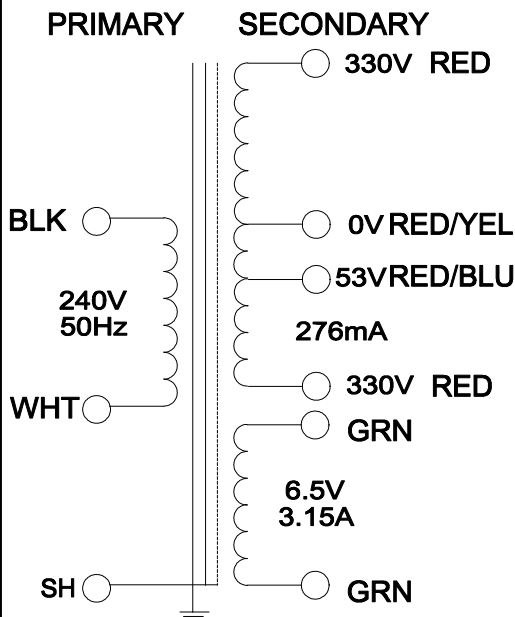


290EEX



DIMENSIONS:	
A	3.438" ±0.063
B	4.063" ±0.125
C	4.125" ±0.063
D	1.844" ±0.063
E	2.750" ±0.063
F	3.438" ±0.063

NOTE: ALL LEADS 9" OUT MIN., STRIPPED .5"



ELECTRICAL DATA:	
Turns ratio:	1 : 2.87 (RED - RED)
Exciting Current	@ 240V, 50Hz, BLK - WHT = 228mA Max.
DCR	@ 20C, BLK - WHT = 5.634 Ω ±20%
	@ 20C, RED - RED = 37.821Ω ±20%
	@ 20C, GRN - GRN = 0.102 Ω ±20%
Pri. Voltage	240V 50Hz
Sec. Voltage (RMS)	660VCT @ 276mA C/W 53V TAP , 6.5V @ 3.15A
No Load Voltage	688.70VCT/ 6.78V

**HAMMOND
MANUFACTURING**

52 RANKIN PLACE,
WATERLOO, ONTARIO, N2L 3Z5.
PHONE (519) 886-8181
FAX # (519) 886-9540

TITLE			
POWER TRANSFORMER			
NO	DATE	REVISION	DIM IN(X)MM()
1	08/11/09	PRELIMINARY.	I.P
			DR BY IOAN POP
			DATE 05/12/09

290EEX