

**MICRO SWITCH**  
a Honeywell Division

FED. MFG. CODE 91 929

**SWITCH - BASIC**

CATALOG LISTING

**3BV12B013**

**LP-R1656**

CATALOG LISTING  
**3BV12B013**  
PAGE 1 OF 1

REPLACES X100570-BV

RELEASE NO. PR-22229

ISSUE  
**M**  
2

CHECK

REVISIONS  
A CO 83290  
DCS 13 AUG 96

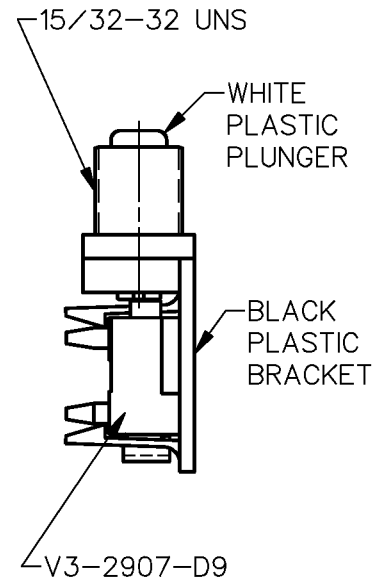
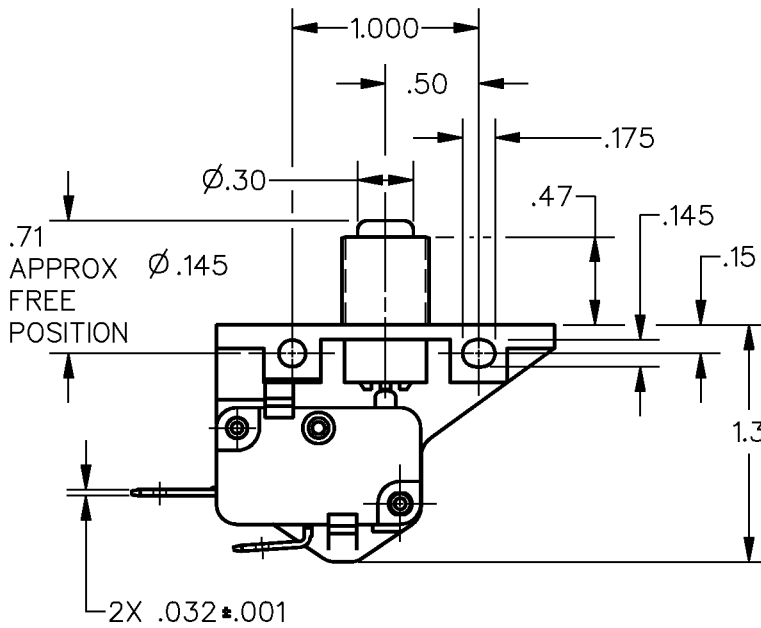
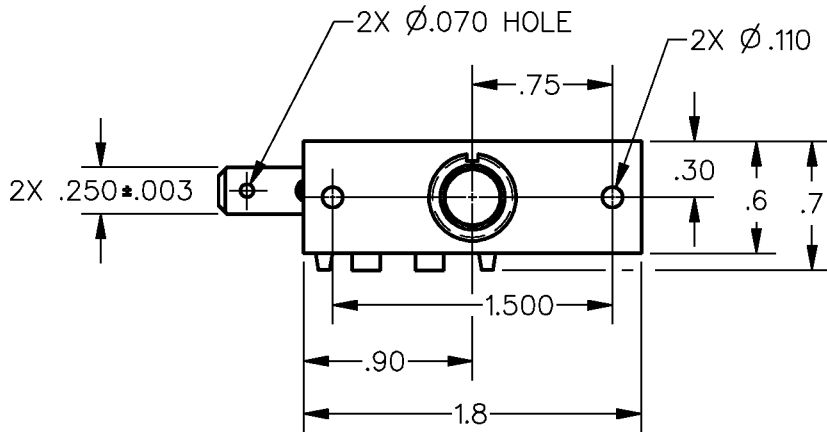
CHECK

CHECK

DRAWN  
7 JUN 96

DDM/CAD

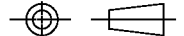
DCS



ANSI Y14.5M-1982 APPLIES

THIS DRAWING COVERS A PROPRIETARY ITEM AND IS THE PROPERTY OF MICRO SWITCH, A DIVISION OF HONEYWELL. THIS DRAWING IS NOT TO BE COPIED OR USED WITHOUT THE APPROVAL OF MICRO SWITCH.

THIRD ANGLE PROJECTION



**CHARACTERISTICS**

OPERATING FORCE --- 180 GRAMS MAX

PRETRAVEL - - - - - .052 MAX

**ELECTRICAL DATA**

CONTACT ARRANGEMENT  
**S P N O**

25A, 277 VAC  
1HP, 125 VAC  
2HP, 250 VAC



**SCALE FULL**

DO NOT SCALE PRINT

**UNLESS OTHERWISE SPECIFIED TOLERANCES ARE**

ONE PLACE (.0) ±.030

TWO PLACE (.00) ±.015

THREE PLACE (.000) ±.005

ANGLES ±

WEIGHT