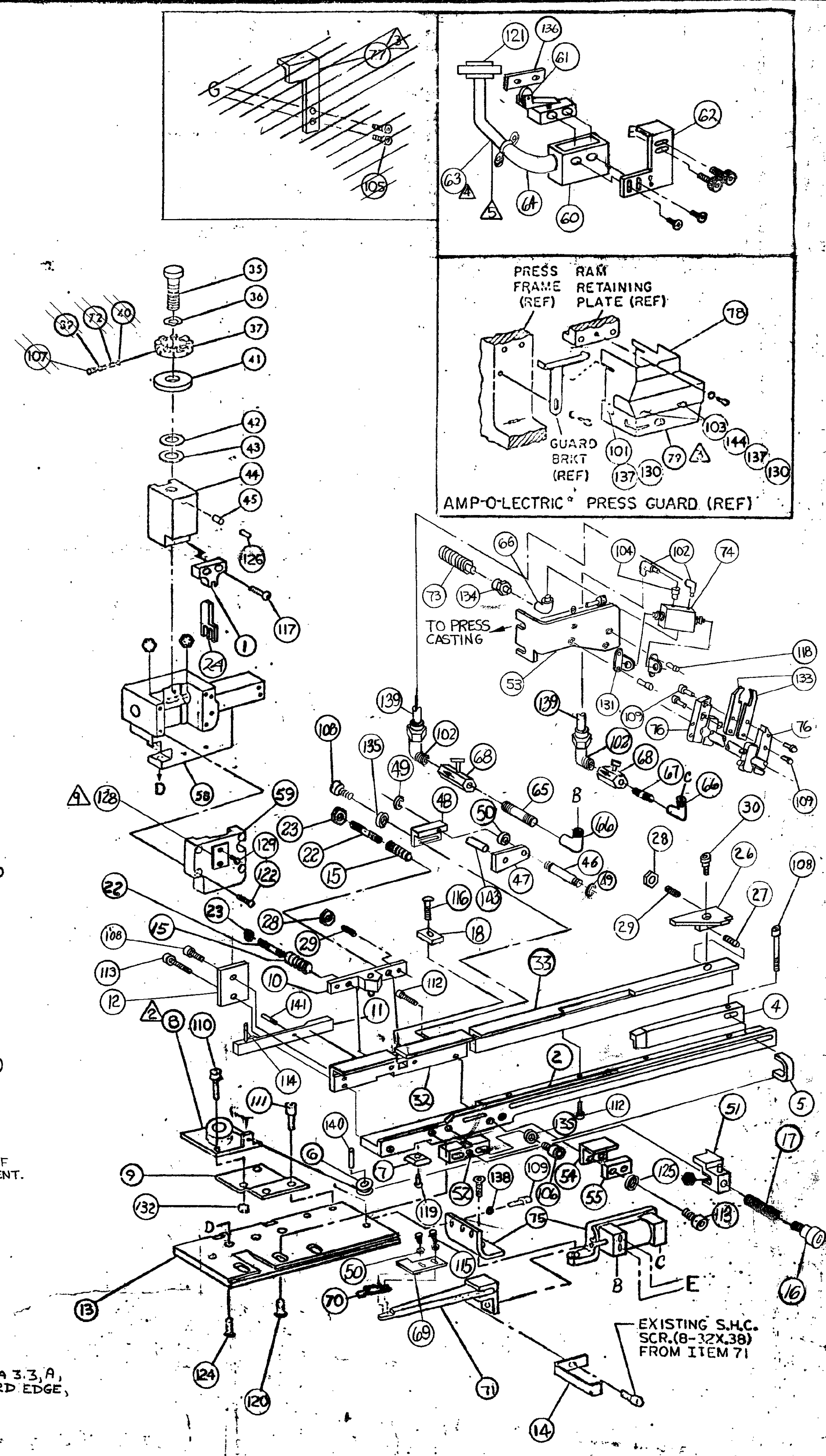


THIS DRAWING IS A CONTROLLED DOCUMENT.



- NOTES**
- 1 ONLY THE ITEMS WITH QUANTITIES SPECIFIED ON PARTS LIST ARE USED ON THIS APPLICATOR.
 - 2 REMOVE LOOPED END FROM ITEM 8 AND INSTALL ITEM 55
 - 3 GUARD MUST BE IN PLACE WHEN OPERATING APPLICATOR IN AMP-O-LECTRIC PRESS.
 - 4 SEE DRAWINGS FOR COMPONENTS
 - 5 SEE CUSTOMER MANUAL (CM5128) BASIC AMP-O-LECTRIC PRESSES FOR INSTALLATION OF THIS INTERLOCK SWITCH
 - 6 TERMINATED LIKE CLOSED END CONNECTOR (NOT FEED THRU)
 - 7 ADJUST DAMPER SCREW FULL DOWN, IF NECESSARY REMOVE FOR REPLACEMENT.
- KEY:**
- RECOMMENDED SPARE PARTS.
 - ▲ LUBRICATE DAILY USING NO. 20 MACHINE OIL
 - GREASE LIGHTLY
 - Ⓢ QUANTITY IN FEET.
 - ④ IDENTIFY PER SPEC 106-2, PARA 3.3, A, STAMP PN 567020-1, MTA CARD EDGE, & SERIAL NO.

QTY	PART NO.	DESCRIPTION	ITEM	QTY	PART NO.	DESCRIPTION	ITEM
1	820278-1	DOCUMENTATION PACKAGE	145	1	461867-1	CAP, RAM	59
2	26928-3	SPACER, SPLIT ROLLED (#X.50) GUARD	144	1	462179-1	HOUSING	58
1	3-21028-4	PIN, SLOT SPR. (.093X.50) LEVER, ANTI BACK-UP	143				57
1	3-21028-4	PIN, SLOT SPR. (.093X.38) GUIDE, HOUSING, FRONT	142				56
1	21028-2	PIN, SLOT SPR. (.062X.25) GUIDE, HOUSING, REAR	141				55
1	21029-4	PIN, SLOT SPG. (.187X.62) PULLEY, PUSHER	140				54
3	27319-4	TUBING, PLASTIC 1/4 OD.	139				53
4	22260-6	WASHER, FLAT (#8) AIR FEED ASS'Y	138				52
4	22260-6	WASHER, FLAT (#8) GUARD	137				51
4	465603-1	NUT, MOUNTING	136	3	21108-4	WASHER, FLAT #4 ANTI-BACK-UP	50
3	21108-5	WASHER, FLAT #6 BLOCK, LOCATOR	135	2	21112-5	E-RING ANTI-BACK-UP	49
1	22312-4	ADAPTER, PIPE THREAD 3 WAY SLEEVE VALVE	134	1	467941-1	BLOCK, ANTI-BACK-UP	48
2	809894-1	EXTENSION ARM	133	1	467936-1	LEVER, ANTI-BACK-UP	47
2	21022-3	NUT, HEX, SELF-LKG (10-32) REEL, RETRIEVER	132	1	467939-1	PIN, LEVER, ANTI-BACK-UP	46
2	27368-1	BRACKET	131	1	690191-1	PLUG, NYLON	45
3	21018-6	NUT, HEX, MACH. (8-32) GUARD	130	1	461865-1	RAM	44
2	21017-2	SCR, DRIVE # 2 X.19	129	1	690125-1	WASHER, LAMINATED	43
1	464249-1	PLATE, IDENTIFICATION	128	1	1-690124-0	WASHER, RAM	42
			127	1	690223-1	SPACER, DISC	41
1	21009-2	SCR, SOC. SET (1/4-20X.25) (LOC-WELL) RAM	126	1	23241-6	BALL, STEEL	40
2	21088-1	WASHER, FLAT (#6) FINGER, RETAINER BLOCK	125	1	690170-1	SPRING, COMPRESSION	39
3	2-22733-9	SCR, BTN. HD. SOC. CAP (1/4-20X.75) (LOC-WELL) PLT.	124				38
		SCR, BTN. HD. SOC. CAP	123	1	679600-5	DISC, WIRE	37
4	2-21002-9	SCR, BTN. HD. SOC. CAP (10-32X.75) CAP, RAM	122	1	22480-5	WASHER, SPRING	36
1	22787-2	CONNECTOR, BOX	121	1	690212-1	POST, RAM	35
3	2-21002-6	SCR, BTN. HD. SOC. CAP (10-32X.38) TRACK, HOUS.	120				34
1	2-21002-6	SCR, BTN. HD. SOC. CAP (10-32X.38) LOCATOR, E.T.	119				33
4	2-21000-5	SCR, SOC. HD. SOC. CAP (8-32X.25)	118				32
2	2-21002-1	SCR, BTN. HD. SOC. CAP (8-32X.38) STUFFER, WIRE	117				31
1	1-21002-4	SCR, BTN. HD. SOC. CAP (4-40X.38) STOP, WIRE	116	1	21989-6	SCR., SOC. SHLD. .188 DIA X.125 LG	30
2	1-21000-9	SCR, SOC. HD. SOC. CAP (4-40X.38) TIP, F. FINGER	115	3	2-21006-6	SCR., SOC. SET #4-40 X.62 LG	29
1	4-21028-4	PIN, SLOT SPR. (.096 X.125) SLIDE, REL. DRAG	114	3	21018-4	NUT, HEX., MACH. #4-40	28
3	2-21000-1	SCR, SKT. HD. CAP (6-32 X.62) BLOCK, RET. FINGER	113	1	22278-5	SPRING COMP.	27
5	1-21000-9	SCR, SKT. HD. CAP (6-32 X.38) GUIDE, TRACK	112	1	467328-1	LATCH, PUSHER	26
2	3-21000-4	SCR, SKT. HD. CAP (10-32 X.38) MOUNT, RET. REEL	111				25
2	3-21000-5	SCR, SKT. HD. CAP (10-32 X.50) REEL, RETRIEVER	110	1	681117-1	STUFFER, WIRE, INSERT	24
7	2-21000-8	SCR, SKT. HD. CAP (8-32 X.62) AIR FEED ASS'Y	109	2	21022-2	NUT, HEX SELF LKG (8-32)	23
2	1-21000-8	SCR, SKT. HD. CAP (6-32 X.25) PUSHER, HOUSING	108	2	22354-6	STUD, DRAG (8-32 X.100)	22
1	23030-1	SCR, SKT. HD. CAP (6-32 X.25) (LOC-WELL) DISC	107				21
2	2-21000-0	SCR, SKT. HD. CAP (6-32 X.62) BLOCK, LOCATOR	106				20
1	7-21000-9	SCR, SKT. HD. CAP (4-40 X.18) GUARD, AIR CYL.	105				19
1	22312-1	ADAPTER (1/8 NPT)	104	1	805406-1	GUIDE, WIRE	18
2	7-22468-4	SCR, BIND. HD. MACH. (8-32 X.88) GUARD	103	1	22280-5	SPRING, COMP. (LC-022C-5) HOUSING LOCATOR	17
4	22294-6	ELBOW, MALE (1/4 NPT. 1/4" OD. TUBE) AIR VALVE FEED ASSY	102	1	1-22353-3	SCR., SH'LD. (.188 X.750) HOUSING LOCATOR	16
1	7-22468-0	SCR, BIND. HD. MACH. (8-32 X.38) GUARD	101	2	22280-3	SPRING, DRAG (LC-022C-3)	15
1	461870-2	GUARD, WINDOW	79	1	462299-1	RELEASE, FEED	14
1	457133-1	SHROUD	78	1	461869-1	PLATE, BASE	13
			77	1	568012-1	COVER, SLIDE, DRAG	12
2	809893-1	ARM, OPERATING	76	1	568011-1	SLIDE, DRAG RELEASE	11
1	460277-8	AIR FEED ASSEMBLY	75	1	568010-1	DRAG	10
1	17544-1	AIR FEED VALVE, OFF-ON	74	1	461864-1	MOUNT, REEL	9
1	24042-2	VALVE, 3-WAY SLEEVE (SHUT-OFF)	73	1	462300-1	REEL, RETRIEVER	8
1	690603-1	SPRING ASSIST	72	1	461856-1	LOCATOR, FEED TRACK	7
1	1-460680-4	FEED FINGER ASSEMBLY	71	1	461859-1	PULLEY, PUSHER	6
1	803047-1	FINGER, FEED	70	1	468810-2	BRACKET, CABLE CONNECTOR	5
1	803935-1	CAM, FEED FINGER	69	1	568013-1	PUSHER, HOUSING	4
2	23054-1	FLOW CONTROL, 1/8 NPT	68				3
1	22313-5	NIPPLE	67	1	568016-1	TRACK, HOUSING	2
3	22306-1	ELBOW, STREET 90°	66	1	681116-1	HOLDER, WIRE STUFFER	1
1	22313-9	NIPPLE	65				
1	22808-1	CONNECTOR, 90° BOX	64				
1	465918-1	WIRE, SJO TERMINATED	63				
1	462453-2	BRACKET, SWITCH	62				
1	23699-1	SWITCH, MICRO	61				
1	23486-1	COVER, MICRO SWITCH	60				

APPL USED ON MACHINE PART NO		MACH SERIAL NO	DISTRIBUTION
CUSTOMER NAME		APPL SERIAL NO	ORIGINAL
ADDRESS		PURCHASE ORDER	CUSTOMER COPY
CITY		ENS APP	FIELD ENG COPY

REMARKS: TO APPLY TERMINAL

REVISION RECORD:

REV	DATE	DESCRIPTION
1	J	ECN DISO-5123-52
2	H	ECN A-163288
3	G	ECN R-7591
4	F	ECN R-7209
5	E	ECN R-6200
6	D	REV PER R-5570

APPLICATOR WILL APPLY		APPLICATOR WILL APPLY	
#18 AWG. WIRE		#22 A.W.G. WIRE	
640859	641288	640861	641290
641283		641285	641677
640864		640866	
#20 A.W.G. WIRE		#24 A.W.G. WIRE	
640860	641289	640862	641291
641284	641750	641286	641453
640865		640867	641678
#26 A.W.G. WIRE		#26 A.W.G. WIRE	
640863	641292	640863	641292
		641287	
		640368	

WIRE RANGE: #18 - #26 INSULATION RANGE: .090 MAX. DIA. PRESS NO: 565435-5

FOR INSERTION DEPTH OF WIRE IN HOUSING SEE AMP SPECIFICATION 114-1020.

AMP INCORPORATED
Harrisburg, Pa. 17105

LOC. A
DIST. 40

MINIATURE QUICK CHANGE APPLICATOR
CARD EDGE CONN. 156