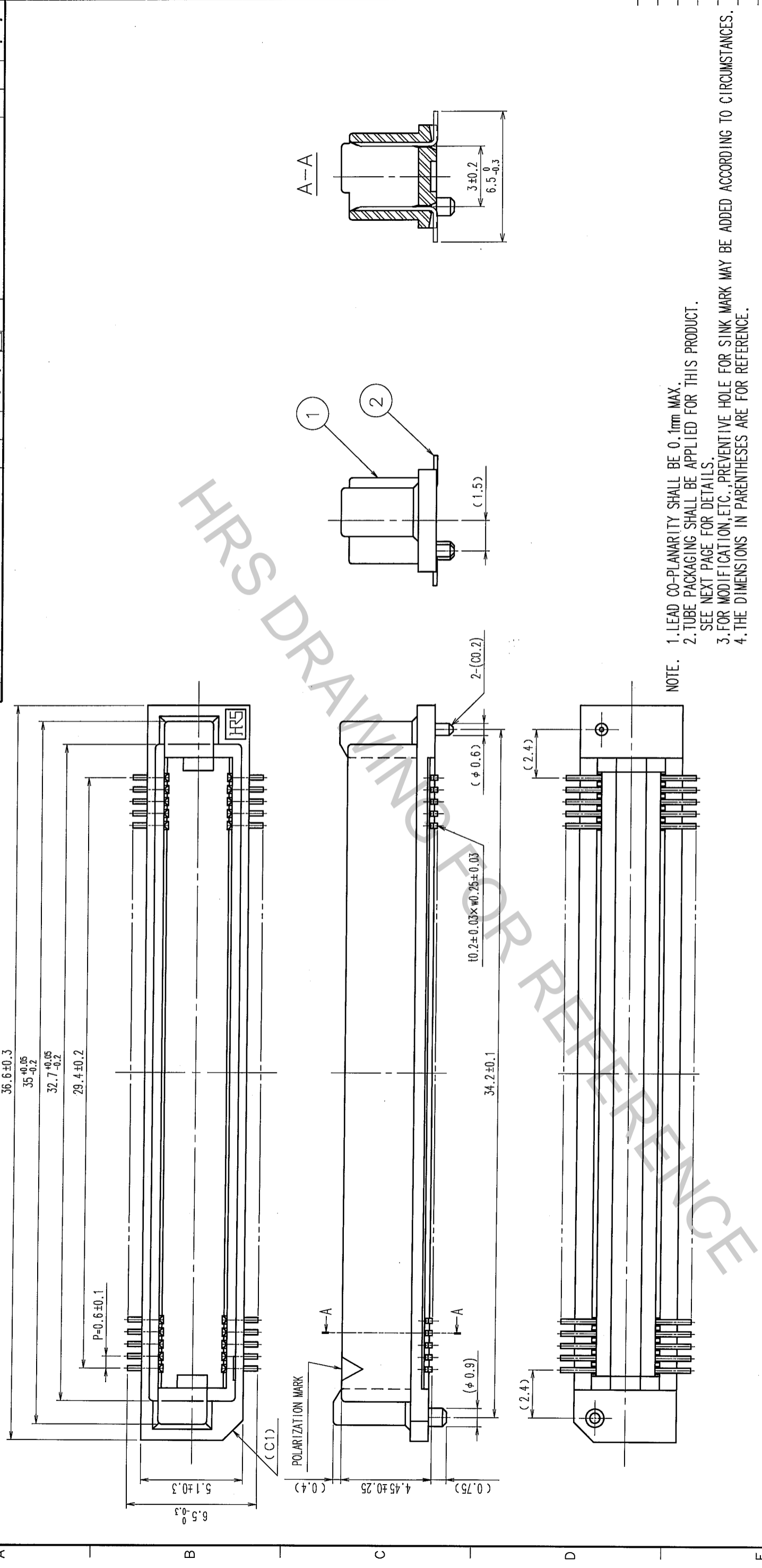


COUNT	DESCRIPTION OF REVISIONS	BY	CHKD	DATE	COUNT	DESCRIPTION OF REVISIONS	BY	CHKD	DATE
△					△				
△					△				
△					△				



NOTE.
 1. LEAD CO-PLANARITY SHALL BE 0.1mm MAX.
 2. TUBE PACKAGING SHALL BE APPLIED FOR THIS PRODUCT.
 SEE NEXT PAGE FOR DETAILS.
 3. FOR MODIFICATION, ETC., PREVENTIVE HOLE FOR SINK MARK MAY BE ADDED ACCORDING TO CIRCUMSTANCES.
 4. THE DIMENSIONS IN PARENTHESES ARE FOR REFERENCE.

RECOMMENDED LAND PATTERN DIMENSION OF PCB (MOUNTING SIDE) (2:1)

NO.	MATERIAL	FINISH, REMARKS	NO.	MATERIAL	FINISH, REMARKS
1	POLYPHENYLENE SULFIDE	LIGHT BROWN UL94V-0	2	PHOSPHOR BRONZE	

CONTACT AREA: GOLD 0.1μm min.	LEAD AREA: GOLD PLATING FLASH	UNDER PLATING: NICKEL 0.5μm min.

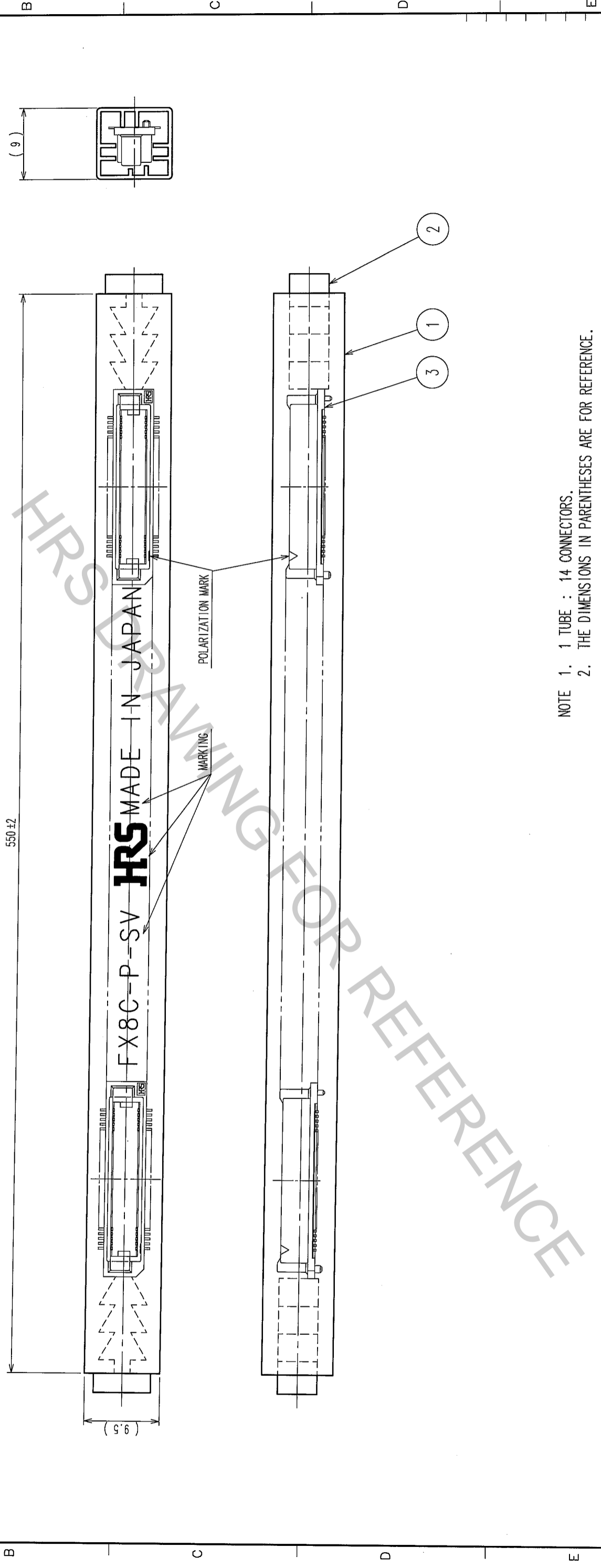
CL	DESIGNED	CHECKED	APPROVED	RELEASED
A. SUZUKAWA	<i>A. Devi</i>	<i>C. Bygner</i>	<i>H. Okawa</i>	
05.11.05	05.11.05	05.11.05	05.11.05	

DRAWING NO.	PART NO.
EDC3-150823-21	FX8C-100P-SV(91)

SCALE	UNITS	CODE NO.
5 : 1	mm	CL578-0505-0-91

TO	
PC/K	

COUNT	DESCRIPTION OF REVISIONS	BY	CHKD	DATE	COUNT	DESCRIPTION OF REVISIONS	BY	CHKD	DATE
△					△				
△					△				
△					△				



NOTE 1. 1 TUBE : 14 CONNECTORS.
 2. THE DIMENSIONS IN PARENTHESES ARE FOR REFERENCE.

2		3 (CONNECTOR)	
NO.	MATERIAL	FINISH, REMARKS	FINISH, REMARKS
1	POLYVINYL CHLORIDE TUBE		
CODE NO. (OLD) CL		DESIGNED A. SUZUKAWA 05.11.05	CHECKED K. Oyama 05.11.05
DRAWING NO. EDC3-150823-21		APPROVED H. Okawa 05.11.05	
SCALE FREE		PART NO. FX8C-100P-SV(91)	
UNITS mm		CODE NO. CL578-0505-0-91	

TO	
pck	