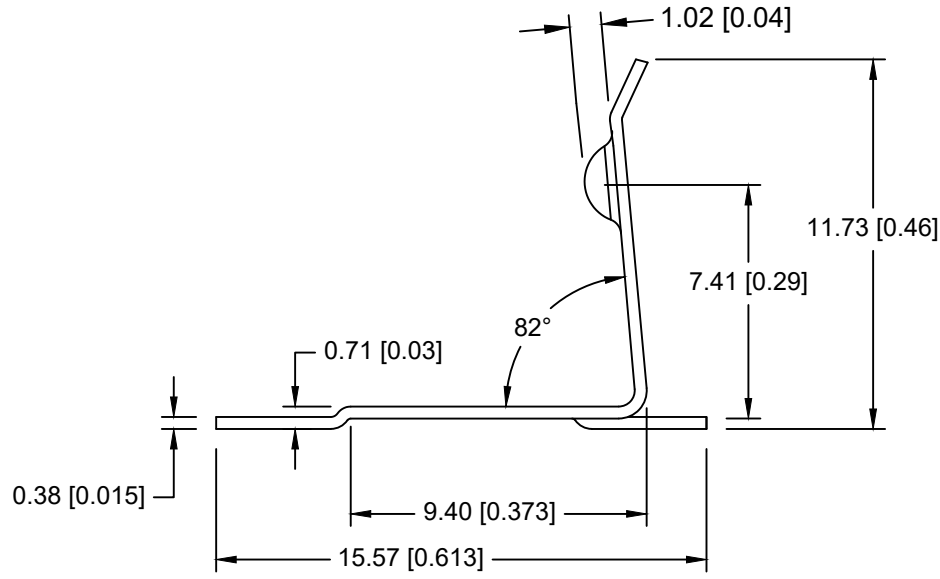
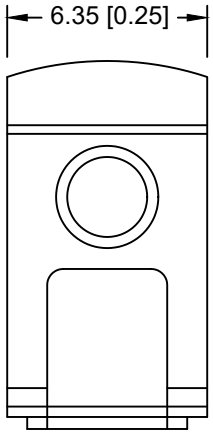
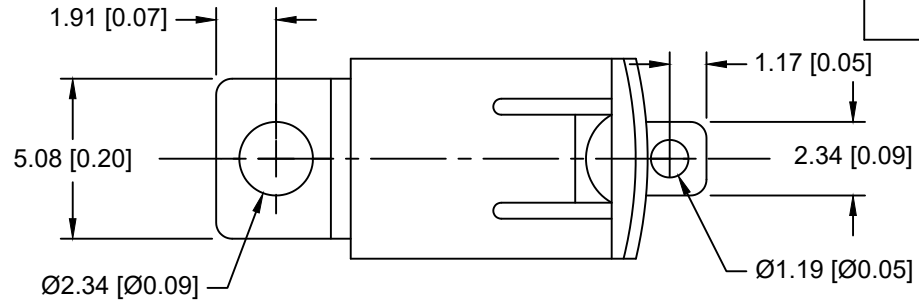



Date	SYM	REVISION RECORD	AUTH	DR.	CK.



NOTES:

- 1. MATERIAL:
0.015" PHOSPHOR BRONZE, NICKEL PLATED
ROHS 2 COMPLIANT

Tolerance (Except as noted)	 Memory Protection Devices, Inc 200 Broad Hollow Road, Farmingdale, New York 11735	
	decimal ±.5 (.020)	Scale Drawn By B.S. Approved By T.B.
Fractional ± .8 (.030)	Title BATTERY CLIP FOR AA BATTERIES	
Angular ± 3°	Date 11/17/17	Drawing Number BK-57