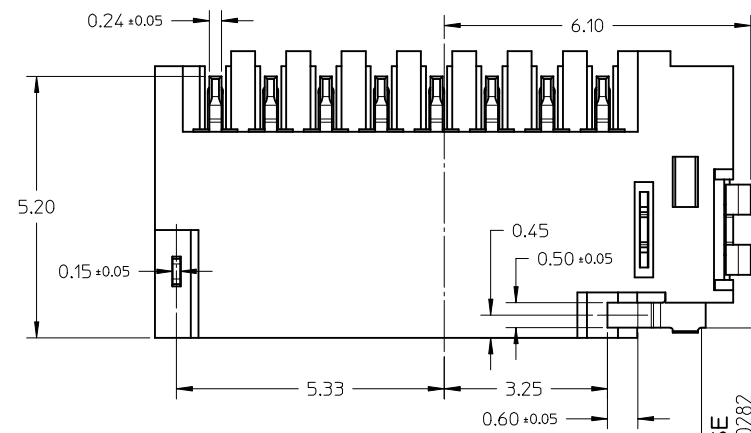
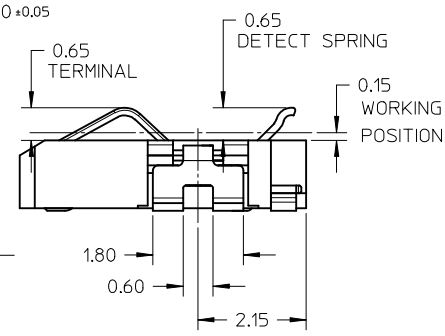
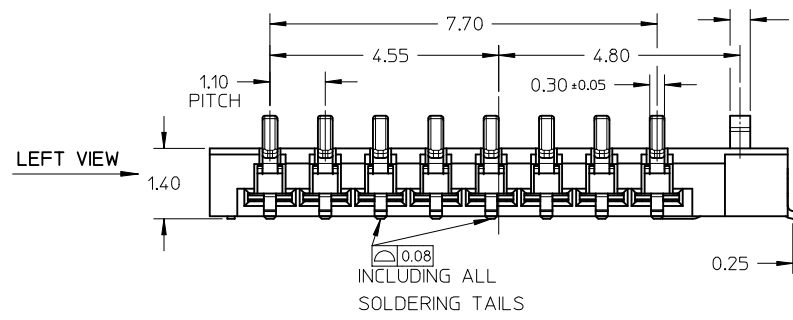


- NOTES:
- MATERIALS:
HOUSING: LCP, UL94V-0;
TERMINAL & DETECT SPRING & SWITCH & FITTING NAIL: COPPER ALLOY;
 - FINISHES:
TERMINAL:
1.27μM MIN. NICKEL UNDERPLATING OVERALL;
0.38μM MIN. GOLD PLATING ON CONTACT AREA;
0.05μM MIN. GOLD FLASH PLATING ON SOLDERING TAIL AREA;
DETECT SPRING:
1.27μM MIN. NICKEL UNDERPLATING OVERALL;
0.127μM MIN. GOLD PLATING ON CONTACT AREA;
0.05μM MIN. GOLD FLASH PLATING ON SOLDERING TAIL AREA;
SWITCH:
1.27μM MIN. NICKEL UNDERPLATING OVERALL;
0.05μM MIN. GOLD PLATING ON CONTACT AREA;
0.05μM MIN. GOLD FLASH PLATING ON SOLDERING TAIL AREA;
FITTING NAIL:
1.27μM MIN. NICKEL UNDERPLATING AND
1.27μM MIN. MATTE TIN PLATING OVERALL;
 - PRODUCT SPECIFICATION: PS-151129-0001;
 - PACKAGING SPECIFICATION: PK-151129-0001;
 - NO CIRCUIT ALLOWED UNDER CONNECTOR;
 - DATE CODE PRINTED: XX XX X;
DAY: 1 ~ 7
WEEK: 1 ~ 52
YEAR: 14, 15, 16, ...



NEW RELEASE
EC NO: SH2016-0282
DRWN:XQZHANG 2016/04/13
CHKD:XQZHANG 2016/04/13
APPR:AYIN 2016/04/18

QUALITY SYMBOLS	DESCRIPTION
$F_A=0$	
$F_C=0$	
$F_P=0$	

GENERAL TOLERANCES (UNLESS SPECIFIED)	
mm	INCH
4 PLACES ± ---	± ---
3 PLACES ± ---	± ---
2 PLACES ± 0.13	± ---
1 PLACE ± 0.20	± ---
0 PLACE ± ---	± ---

ANGULAR ± 3°

DRAFT WHERE APPLICABLE MUST REMAIN WITHIN DIMENSIONS

DIMENSION STYLE	
MM ONLY	
DRAWN BY	DATE
HLWANG06	2014/11/25
CHECKED BY	DATE
JZENG	2014/11/25
APPROVED BY	DATE
AYIN	2016/04/18

SCALE	DESIGN UNITS
NTS	METRIC

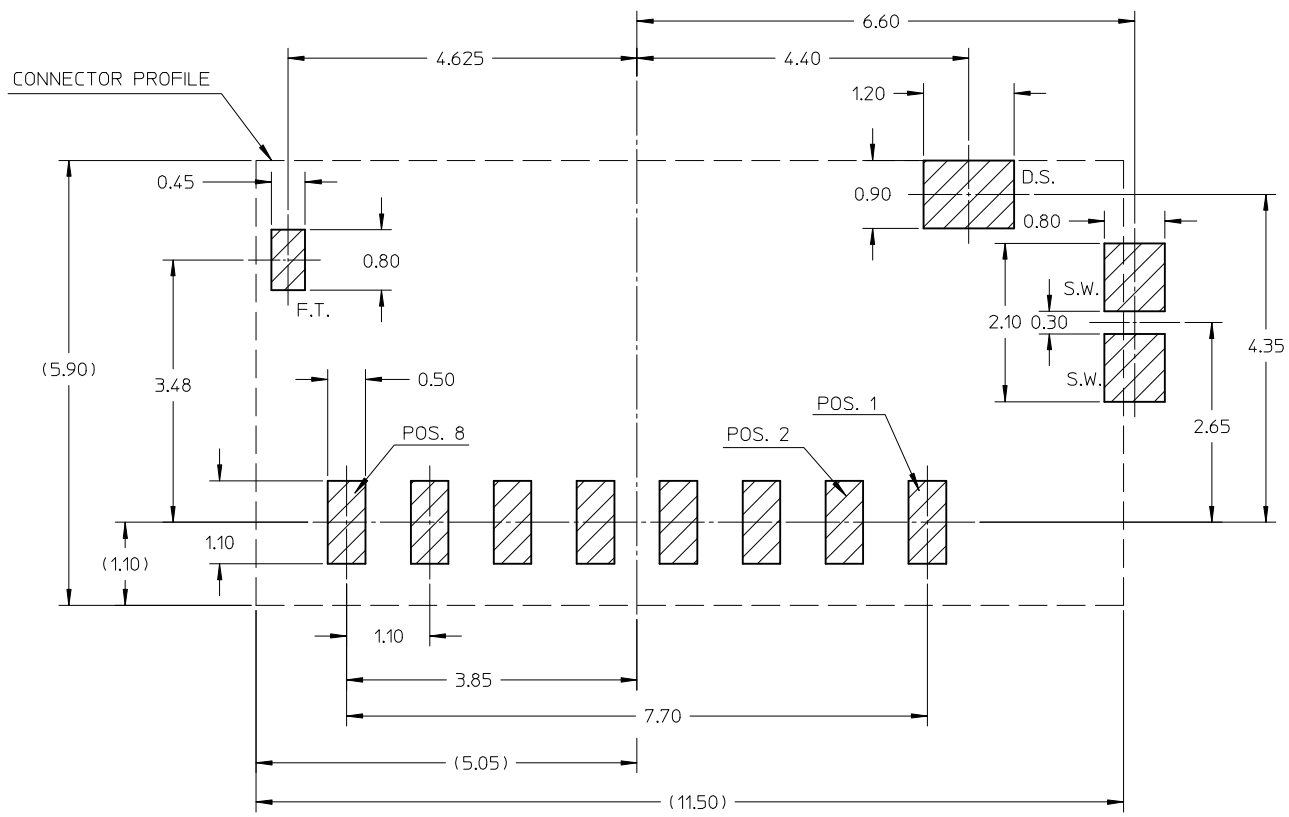
THIRD ANGLE PROJECTION

SD DRAWING FOR
1.40MM HEIGHT BLOCK
MICRO SD CONNECTOR

molex

MATERIAL NO. 151129-0001 DOCUMENT NO. SD-151129-0001 SHEET NO. 1 OF 2

THIS DRAWING CONTAINS INFORMATION THAT IS PROPRIETARY TO MOLEX INCORPORATED AND SHOULD NOT BE USED WITHOUT WRITTEN PERMISSION



PIN ASSIGNMENT	
POS. 1	DAT2
POS. 2	CD/DAT3
POS. 3	CMD
POS. 4	VDD
POS. 5	CLK
POS. 6	VSS
POS. 7	DAT0
POS. 8	DAT1
D.S.	DETECT SPRING
S.W.	SWITCH
F.T.	FITTING NAIL

RECOMMENDED PCB LAYOUT
TOLERANCE: ±0.05MM

SEE SHEET 1 EC NO: SH2016-0282 DRWN: XZHANG 2016/04/13 CHKD: XZHANG 2016/04/13 APPR: AYIN 2016/04/18	QUALITY SYMBOLS $\nabla_F = 0$ $\nabla_E = 0$ $\nabla_B = 0$	GENERAL TOLERANCES (UNLESS SPECIFIED)		DIMENSION STYLE MM ONLY		SCALE NTS	DESIGN UNITS METRIC	THIRD ANGLE PROJECTION	
		4 PLACES	± ---	± ---	DRAWN BY HLWANG06	DATE 2014/11/25	TITLE SD DRAWING FOR 1.40MM HEIGHT BLOCK MICRO SD CONNECTOR molex		
		3 PLACES	± ---	± ---	CHECKED BY JZENG	DATE 2014/11/25			
		2 PLACES	± 0.13	± ---	APPROVED BY AYIN	DATE 2016/04/18			
1 PLACE	± 0.20	± ---	MATERIAL NO. 151129-0001		DOCUMENT NO. SD-151129-0001	SHEET NO. 2 OF 2			
0 PLACE	± ---	± ---	ANGULAR ± 3 °		THIS DRAWING CONTAINS INFORMATION THAT IS PROPRIETARY TO MOLEX INCORPORATED AND SHOULD NOT BE USED WITHOUT WRITTEN PERMISSION				
DRAFT WHERE APPLICABLE MUST REMAIN WITHIN DIMENSIONS			SIZE A3						