

**NOTES:**

- METAL SHELLS: STEEL; min. 315µm TIN over 40-80µm NICKEL
- INSULATORS: PBT GF UL 94 V-0, BLACK
- (b) SIGNAL CONTACTS: COPPER ALLOY; PLATING (SEE PART NO.):
  - PLEASE ADD A for GOLD FLASH over NICKEL (PREFERRED TYPE)
  - PLEASE ADD B for 20µm HARD GOLD over min. 50µm NICKEL
  - PLEASE ADD C for 30µm HARD GOLD over min. 50µm NICKEL
- METAL BRACKETS: ZINC DIE CAST; 300µm COPPER/40-120µm NICKEL/120-200µm TIN
- THREADED INSERTS: COPPER ALLOY; min. 200µm TIN over 80µm NICKEL
- PCB-SNAPS: COPPER ALLOY; min. 200µm TIN over 80µm NICKEL  
PCB-HOLE:  $\varnothing 3,1 \pm 0,1$ ; PCB THICKNESS 1.6mm
- FIXING-PLATE: PBT GF UL 94 V-0, BLACK
- P.C.B. HOLE DRILLINGS ON SHEET 2
- MAXIMUM TORQUE VALUE FOR THREAD: 6 in.LB
- CONNECTOR IS PART MARKED: 164□17969X CONEC ABC (see note 3)

Directive 2002/95/EC RoHS compliant

THIS DRAWING MAY NOT BE COPIED OR REPRODUCED IN ANY WAY, AND MAY NOT BE PASSED ON TO A THIRD PARTY WITHOUT WRITTEN PERMISSION. OWNERSHIP AND COPYRIGHT OF CONEC GmbH

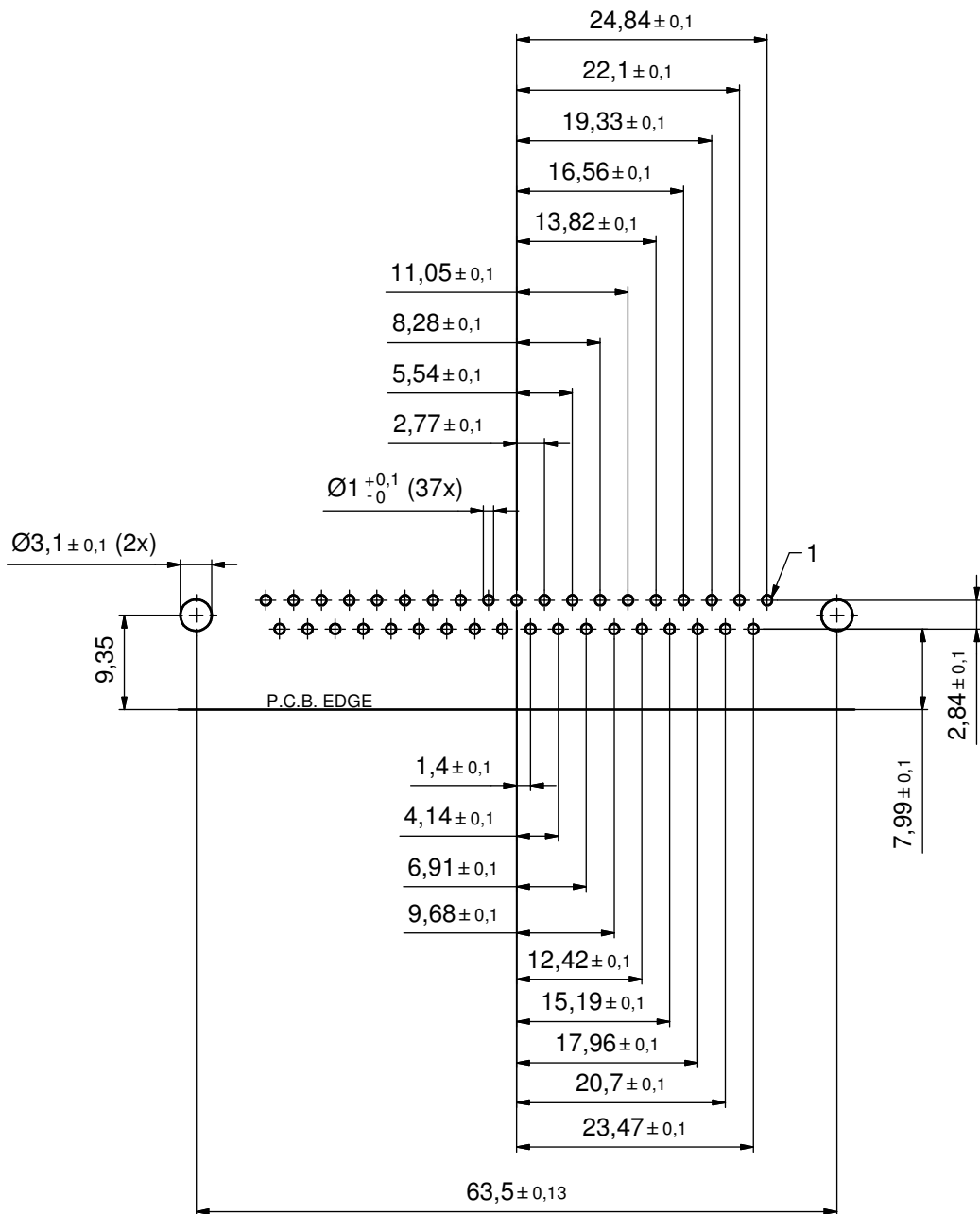
DO NOT ALTER CAD DRAWING BY HAND

				tolerance		dim. in mm
				date	name	
3 x b	A4946	29.10.2013	K.H.	drawn	29.10.13	Henneboel
a	Original			appd.	12.11.13	Lehmenkühler
rev.	description	date	name	norm		
				d-old	16K1A685/16K1A070A	

scale:	2:1 (5:1)
material:	SEE NOTES
title:	
D-SUB FEMALE 90°	
37pos. SOLDER PIN ANGLED 0.318inch with threaded insert, metal bracket, fixing-plate, snap	
dwg no:	
	(b) 16K1A3316
part no:	(b) 164□17969X (see note 3)
	DIN-A3
	sh: 1/2



P.C.B. HOLE DRILLINGS  
(P.C.B. TOP SIDE)



THIS DRAWING MAY NOT BE COPIED OR REPRODUCED IN ANY WAY, AND MAY NOT BE PASSED ON TO A THIRD PARTY WITHOUT WRITTEN PERMISSION. OWNERSHIP AND COPYRIGHT OF CONEC GmbH DO NOT ALTER CAD DRAWING BY HAND				tolerance		scale: 2:1
					dim. in mm	material: SEE SHEET 1
				date	name	title: <b>P.C.B. HOLE DRILLINGS</b> D-SUB FEMALE 37pos. 0.318inch with threaded insert, metal bracket, fixing-plate and snap
				drawn 29.10.13	Henneboel	
				appd. 12.11.13	Lehmenkühler	
				norm		
				d-old		dwg no:
a	Original		<b>CONEC</b> <sup>®</sup>		16K1A3316	DIN-A3
rev.	description	date			name	part no: SEE SHEET 1