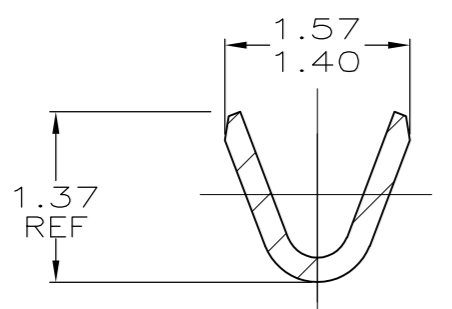
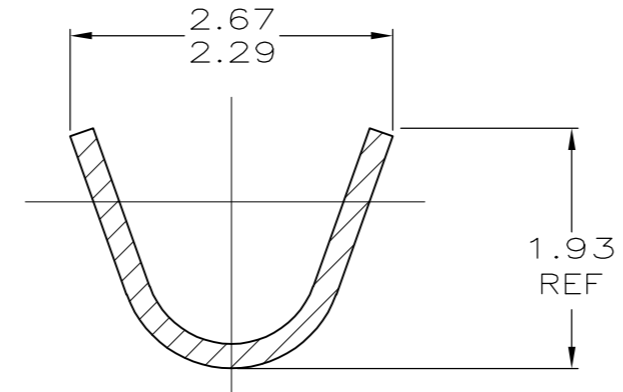


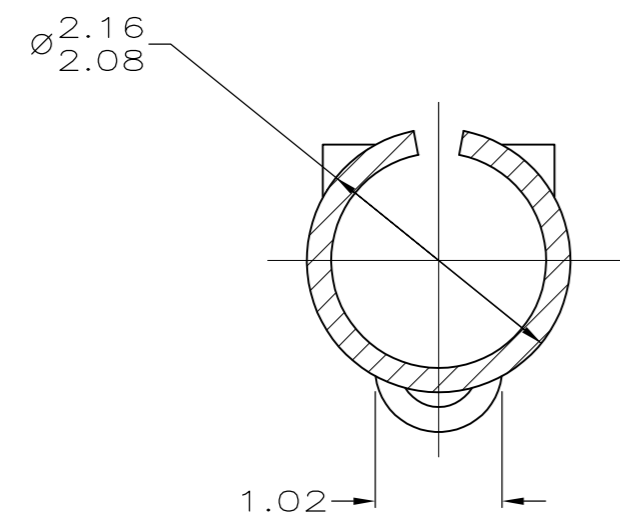
LOC		DIST		REVISIONS			
P	LT	DESCRIPTION	DATE	BY	APPD	CHK	REV
CM	53	R1	REVISED PER ECO-11-004917	11MAR11	RK	HMR	



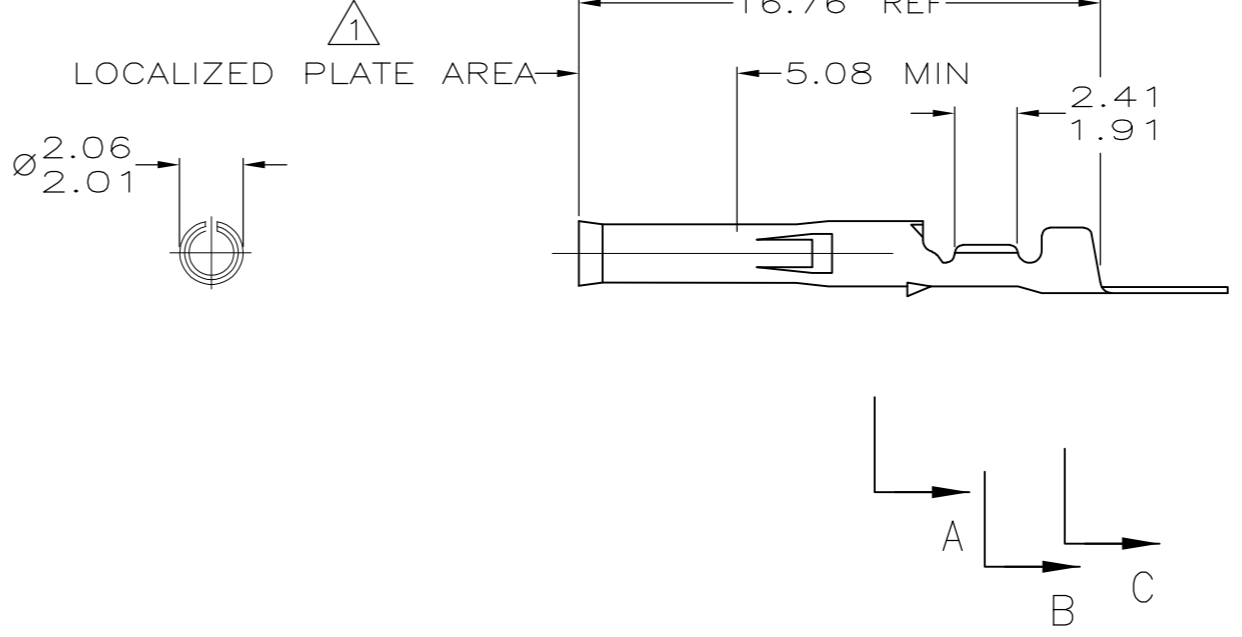
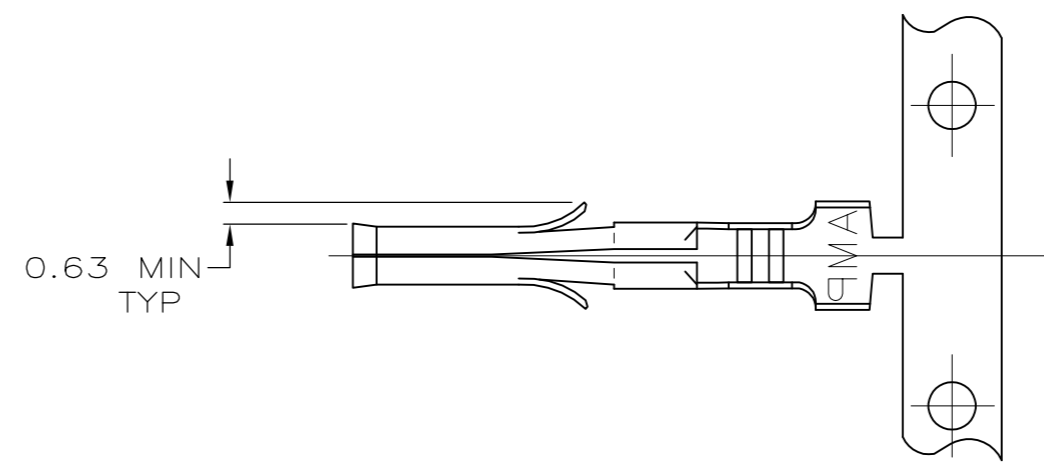
SECTION B-B  
SCALE 20:1



SECTION C-C  
SCALE 20:1



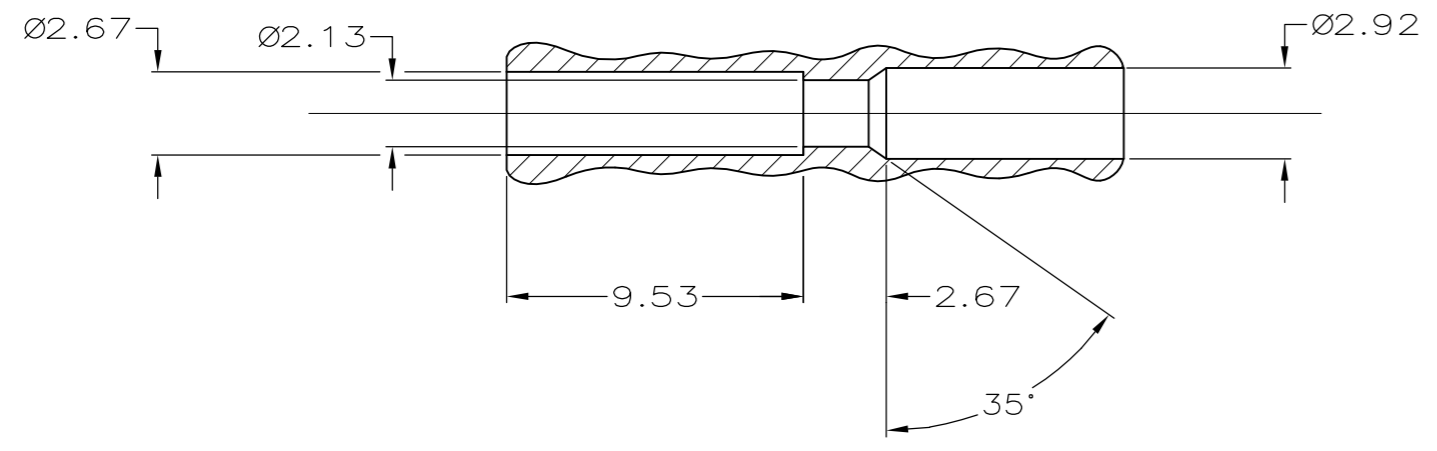
SECTION A-A  
SCALE 20:1



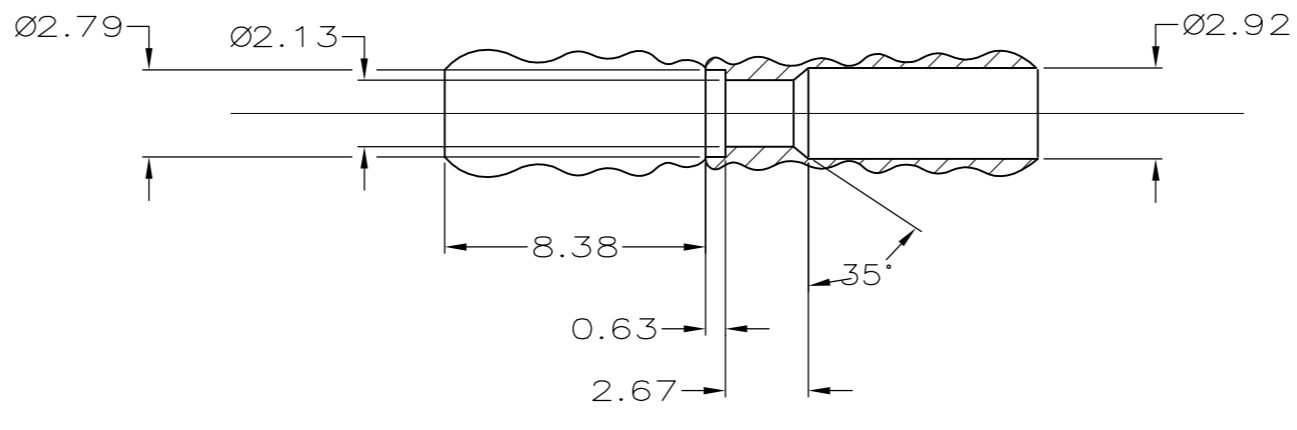
- 0.0013 MIN NICKEL OVER ENTIRE RECEPTACLE WITH 0.0008 MIN GOLD INSIDE RECEPTACLE IN LOCALIZED PLATE AREA.
- EITHER CAVITY WILL ACCEPT RECEPTACLE 350628,640392 OR PIN 350629,640391.

IN	MM
.660	16.76
.375	9.53
.330	8.38
.200	5.08
.115	2.92
.110	2.79
.105	2.67
.095	2.41
.090	2.29
.085	2.16
.084	2.13
.082	2.08
.081	2.06
.079	2.01
.076	1.93
.075	1.91
.062	1.57
.060	1.52
.055	1.40
.054	1.37
.040	1.02
.025	0.63
.008	0.20
.005	0.13
.000050	0.0013
.000030	0.0008
IN	MM

CONVERSION TABLE



TYPICAL RECEPTACLE CAVITY SECTION  
REFERENCE



TYPICAL PLUG CAVITY SECTION  
REFERENCE



△	0.20 BRASS	1.52 MAX	30-24	640392-5
PRE-TIN	0.20 PH.BRZ.	1.52 MAX	30-24	640392-2
PRE-TIN	0.20 BRASS	1.52 MAX	30-24	640392-1
FINISH	MATERIAL	INSULATION DIAMETER	WIRE RANGE	PART NO
THIS DRAWING IS A CONTROLLED DOCUMENT.		DNV K. SALMON 9-30-91	STE TE Connectivity	
DIMENSIONS: mm(INCHES)		CHK R. SWING 9-30-91	NAME C. CASH 10-1-91	
TOLERANCES UNLESS OTHERWISE SPECIFIED:		PRODUCT SPEC		
0 PLC ± -		APPLICATION SPEC		
1 PLC ± -		SIZE A1		
2 PLC ± -		CAGE CODE 00779		
3 PLC ± 0.13		DRAWING NO 640392		
4 PLC ± -		RESTRICTED TO		
ANGLES: ± ° 30'		SCALE 5:1		
MATERIAL SEE TABLE	FINISH SEE TABLE	WEIGHT -	SHEET 1 OF 1	
CUSTOMER DRAWING		REV R1		

A/C BUSINESS GROUP 3323 177-34 RALPH VESTAL