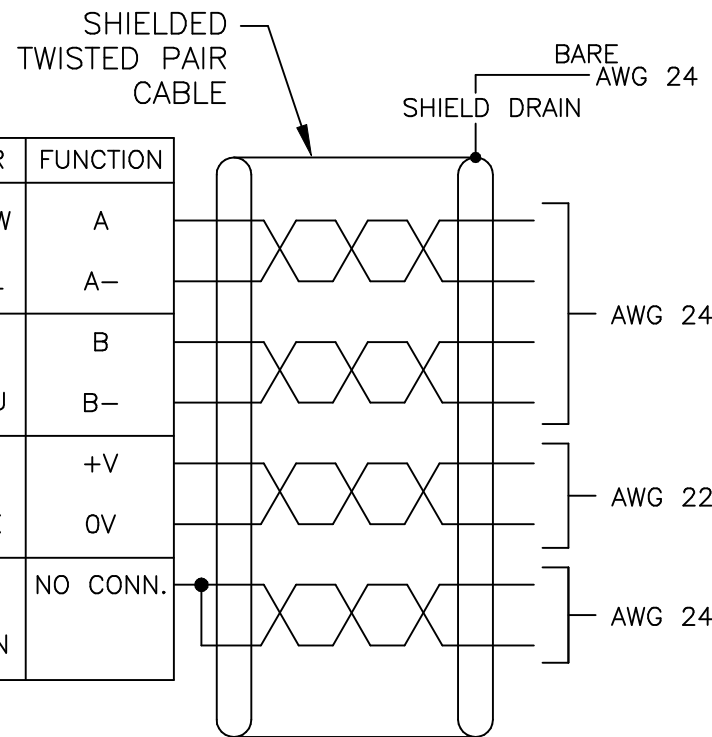
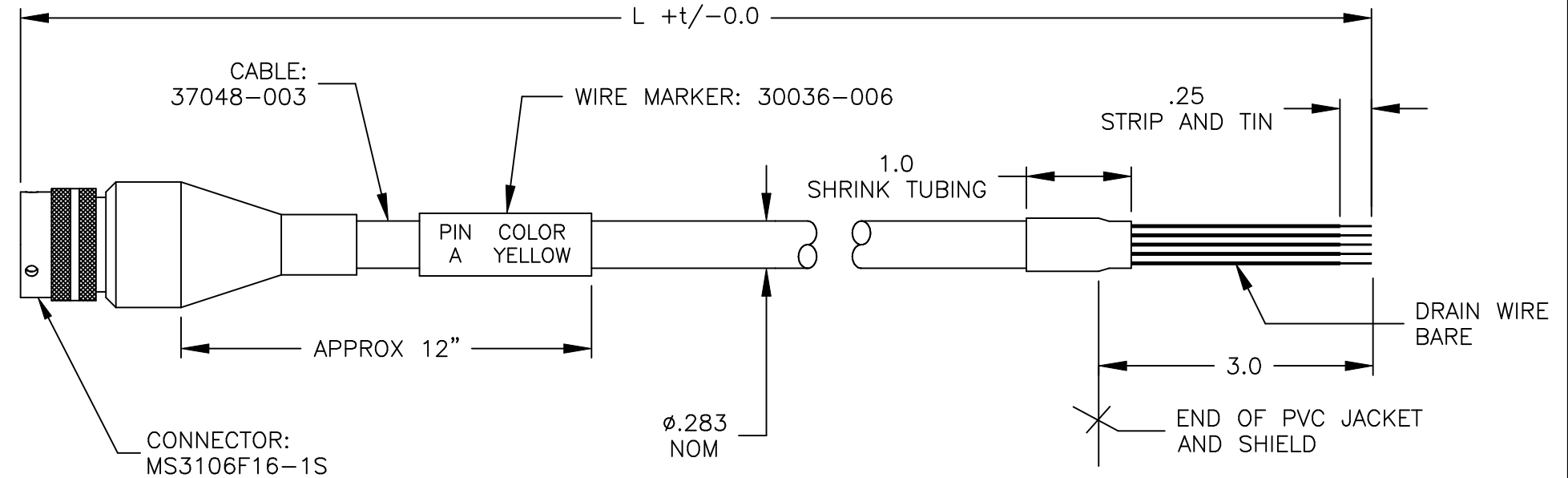


CABLE DESCRIPTION:
 TINNED COPPER, PVC INSULATED,
 OVERALL FOIL ALUMINUM-POLYESTER SHIELD,
 24 AWG STRANDED TINNED COPPER DRAIN WIRE,
 OVERALL TINNED COPPER BRAID SHIELD, 6% COVERAGE
 (65% COVERAGE), GRAY PVC JACKET.

CONDUCTORS:
 AWG PER TABLE
 4 TWISTED PAIRS
 NOMINAL IMPEDANCE: 100 OHM
 NOMINAL CAPACITANCE BETWEEN CONDUCTORS: 12.5pF/FT.
 NOMINAL CAPACITANCE BETWEEN ONE CONDUCTOR AND OTHER
 CONDUCTORS CONNECTED TO SHIELD: 22pF/FT.

APPLICATION:
 THIS CABLE IS INTENDED FOR SINGLE ENDED OUTPUT
 ENCODERS. (AB OR ABZ) AND DIFFERENTIAL LINE DRIVER
 OUTPUT ENCODERS WITH NO INDEX (ABC).

REVISIONS			
REV	ECO #	DESCRIPTION	DATE
D	8281	JACKET WAS CHROME PVC	06/23/11



PIN	COLOR	FUNCTION
A	YELLOW	A
C	W/YEL	A-
B	BLUE	B
E	W/BLU	B-
D	RED	+V
F	BLACK	0V
	ORN	NO CONN.
	W/ORN	

WARNING:
 CABLE SHIELD IS FLOATED (NOT CONNECTED)
 AT CONNECTOR. SHIELD CONNECTION MAY BE
 REQUIRED FOR SAFETY OR NOISE IMMUNITY.

BEI P/N	CABLE LENGTH 'L' DIM	TOLERANCE 't'
924-31186-1610	10 FT	0.5'
924-31186-1620	20 FT	1.0'
924-31186-1630	30 FT	1.5'

MATERIAL NOTED	FINISH NOTED	APPROVALS	DATE	 7230 Hollister Ave. Goleta, Ca 93117-2891 Tel: (805) 968-0782 Fax: (805) 968-3154
THESE COMMODITIES, TECHNOLOGY OR SOFTWARE IF EXPORTED FROM THE UNITED STATES MUST BE IN ACCORDANCE WITH THE BUREAU OF INDUSTRY, EXPORT ADMINISTRATION REGULATIONS. DIVERSION CONTRARY TO U.S. LAW IS PROHIBITED.		DRAWN KRB	11/20/07	
THIS DOCUMENT CONTAINS PROPRIETARY INFORMATION OF BEI SENSORS. ANY REPRODUCTION, USE OR DISCLOSURE OF THIS DOCUMENT WITHOUT WRITTEN CONSENT OF BEI SENSORS IS EXPRESSLY PROHIBITED.		APPROVED		
UNLESS OTHERWISE SPECIFIED, DIMENSIONS ARE IN INCHES AND APPLY AFTER FINISH .XX ±.01 .XXX ±.005 ANGLES ±0° 30' ALL DIA. TO BE © WITHIN .010		CABLE, SINGLE-ENDED OUTPUT TWISTED PAIR, OVERALL SHIELD, 7 PIN CONN		
SIZE B	CAGE CODE 1RB90	DWG. NO. 31186-16XX	REV. D	
SCALE: NONE	FILE: 31186-16XX_D	SHEET 1 OF 1		