

Electromechanical Cam Timer 882565 Part number 88256509



Relay output

- Mono-function
- Mono-range
- Mono-voltage
- Manual reset
- Progress of cycle displayed
- Output : 1, 2 or 3 changeover contacts (max of 16 A per contact)
- Mounting option

Part numbers

| | Type | Voltage | Relay outputs | Breaking capacity per contact | Version | Maximum available timing | Dial graduation |
|------------|--------|--------------------|---------------|-------------------------------|---------|--------------------------|-----------------|
| 88 256 509 | 882565 | 127/230 V AC 50 Hz | 2 timed | 16 A | 60 min | 56 min | 2 min 30 s |

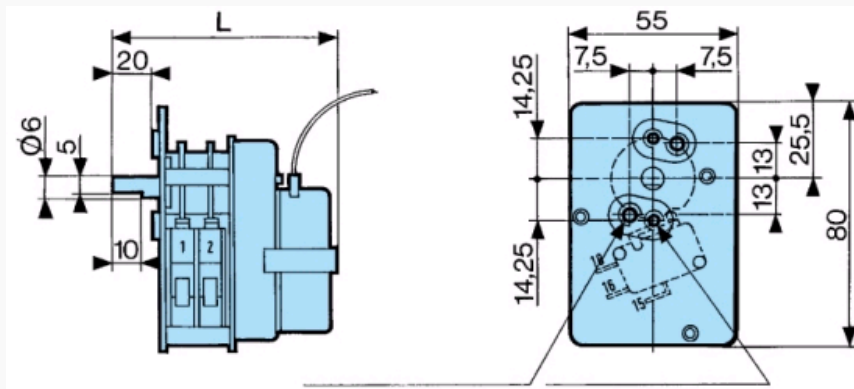
Specifications

| | |
|--|----------------------|
| Precision limit error | ± 4 % |
| Timed two-pole | 1 or 2 or 3 |
| Thermal rating | 20 A |
| Mechanical life (operations) | > 10 ⁷ |
| Rating (cos φ = 0.41) 10 ⁴ operations | 16 A - 230 V |
| Voltage variation at maximum temperature of 55 °C according to IEC 255 100 | +10 % -15 % Un |
| Absorbed power-motor | 3,1 VA cos φ 0,8 |
| Operating factor | 100 % |
| Temperature limits use (°C) | -5→+70 |
| Temperature limits stored (°C) | -40→+80 |
| Environmental protection Protected metal components - Insulated motor coil | ■ |
| Vibration withstand on 3 axes (Veritas standard) | 4 G - 55 Hz |
| Dielectric test voltage according to IEC 255-5 or VDE 0435 | 1000 V - Un ≤ 60 V |
| Insulation according to standard VDE 0110 group C | 380 V AC 440 V DC |
| Protection : terminal | IP10 |
| Operating position- any | ■ |
| Connection : Tags | 6,35 |
| Connection : Motor leads | 250 mm |
| Mounting by screw | 2 x M3 - 2 x M4 |
| Weight (g) | 225 / 245 |

Accessories

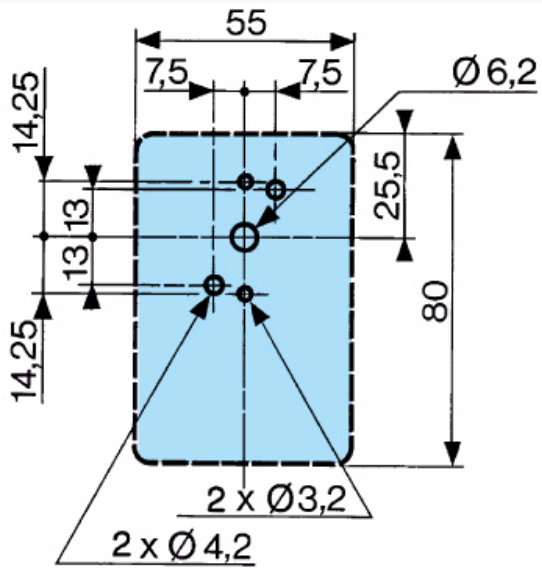
| Accessories | Code |
|-------------------------------------|------------|
| Invertor for DC supply 24-48 V DC | 84 861 501 |
| Invertor for DC supply 110-127 V DC | 84 861 503 |

Dimensions (mm)

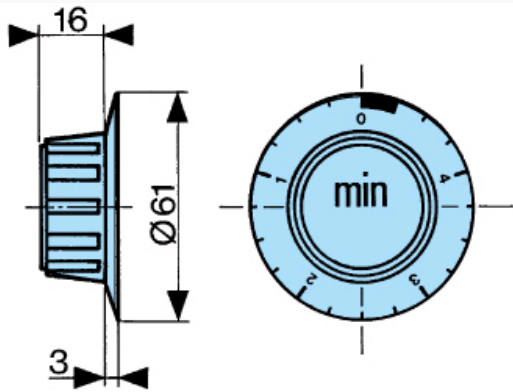


Dimensions (mm)

Panel cut-out

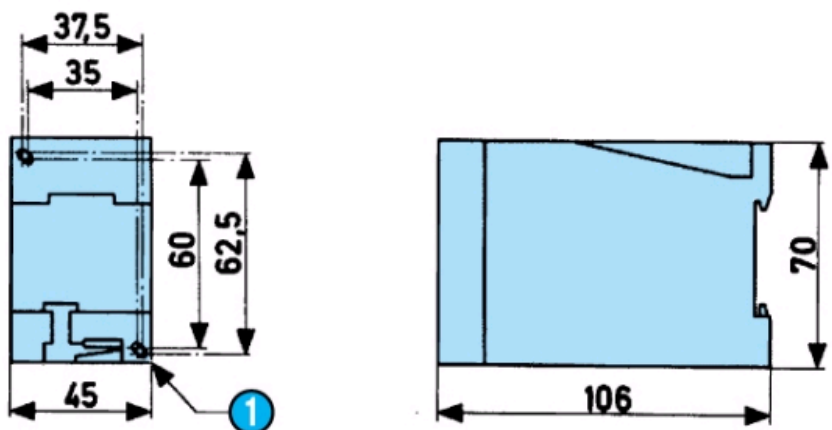


Dimensions (mm)



Dimensions (mm)

Inverter for DC supply
 84 861 501 : 24 • 48 V DC
 84 861 503 : 110 • 127 V DC
 Weight 150 g



[48 V DC](#)

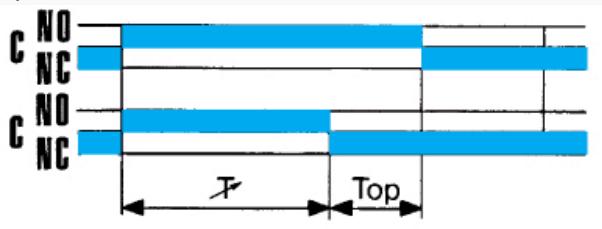
[84 861 503 : 110 • 127 V DC](#)

[Weight 150 g" class="link_produits thickbox"> Zoom](#)

| N° | Legend |
|----|-----------------|
| 1 | Fixing holes Ø5 |

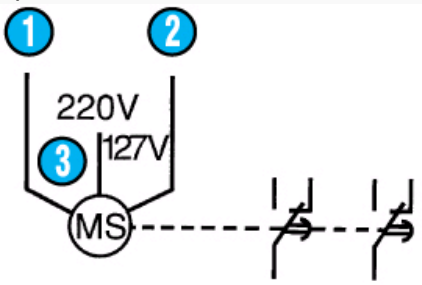
Curves

2 poles



Connections

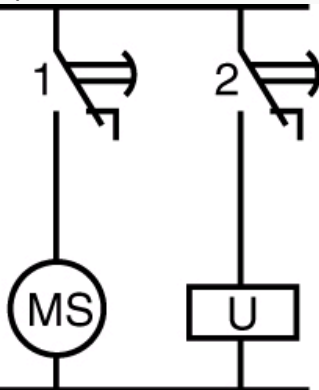
2 poles



| N° | Legend |
|----|--------|
| 1 | Red |
| 2 | Blue |
| 3 | White |

Connections

2 poles



Connections

2 poles

