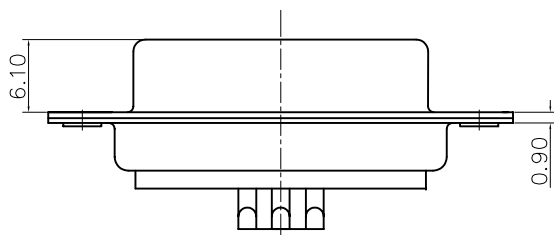
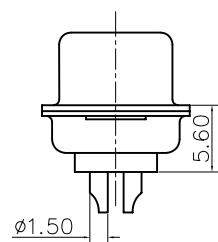
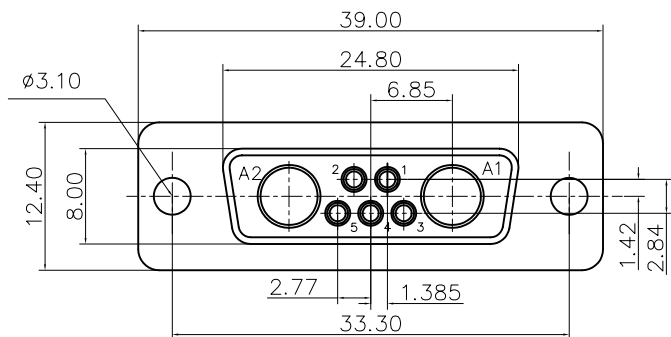


This document is the property of Amphenol Corporation and is delivered on the express condition that it is not to be disclosed, reproduced or used, in whole or in part, for manufacture or sale by anyone other than Amphenol Corporation without its prior consent, & that no right is granted to disclose or to use any information in this document.



Customer drawing

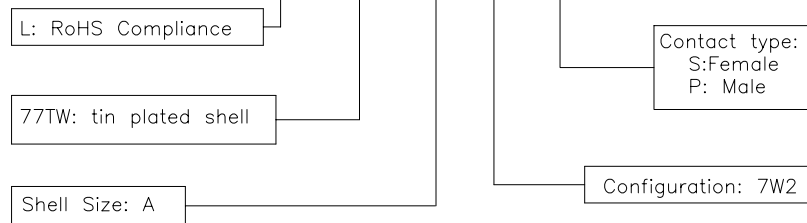
REVISIONS				
SYM	ECN	DESCRIPTION	DATE	APPROVED
1			11/05/08	

D-SUB TECHNICAL DATA

SHELL : Steel 2.5um(100u") min tin over 1.25um(50u") min nickel
 BODY : Glass filled thermoplastic.
 Flame retardant to UL94 V-0 Color Black
 CONTACTS : Machined bronze
 0.4um(15u") min gold over 1.25um(50u") min nickel
 ELECTRICAL : Voltage rating : 300 V RMS at 50 Hz
 Current rating : 7.5A
 Withstanding Voltage >1000 V RMS at 50 Hz for one minute
 Insulation resistance >5000 M Ohms
 CLIMATIC : Temperature range -55 °C up to 155°C
 Damp heat 56 days(40 °C-95% HR)
 MARKING : Amphenol...(Series No.)
 Commercial reference
 Manufacturing date

PRODUCT CODE

L 77TW A 7W2 S



UNLESS OTHERWISE SPECIFIED TOLERANCES U.S. METRIC .X +/- 0.50 .XX +/- 0.30 .XXX +/- 0.20 FRACTIONS +/- ANGLES +/- 5° FOR MATERIALS AND FINISHES SEE NOTES REMOVE SHARP EDGES DIMENSIONS U.S. INCHES METRIC MM	APPROVAL DRAWN <i>Christina.cui</i> 10/31/07 CHECKED <i>Lik.wang</i> 10/31/07 CHECKED		DATE 10/31/07
	DRAWING FILE :		
	ANGLE OF PROJECTION 		
	SIZE DRAWING NO. A4 C L77TWA7W2S		

Amphenol®		
TITLE Hybrid connector, TW series		
SCALE NONE	SHEET 1 OF 1	REV. 1