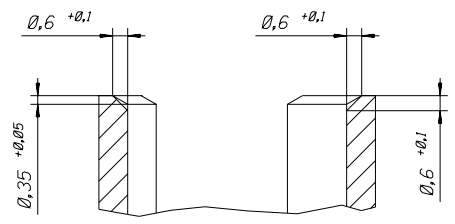
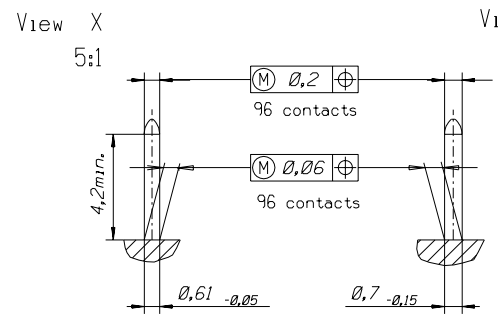
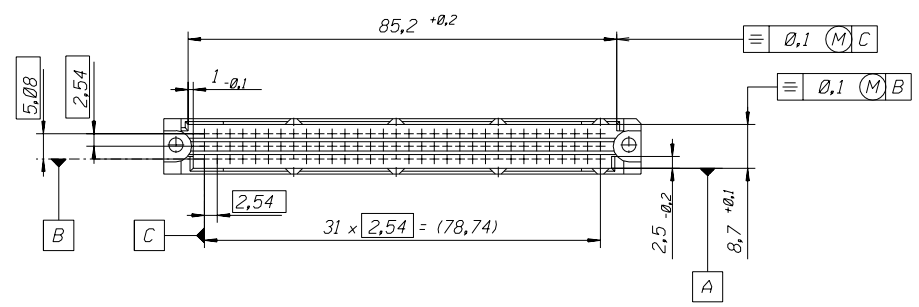
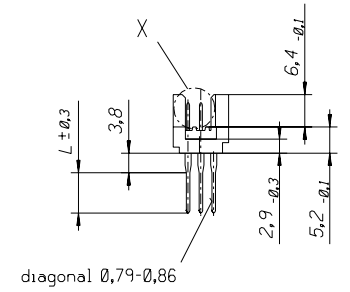
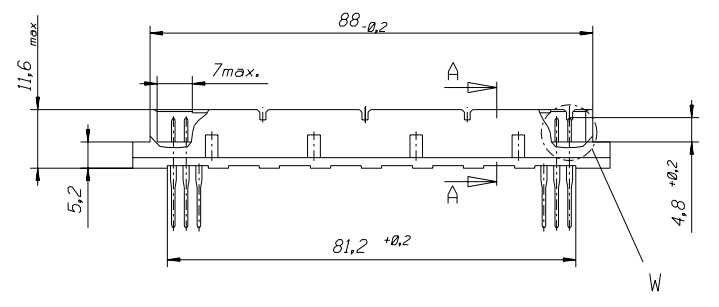
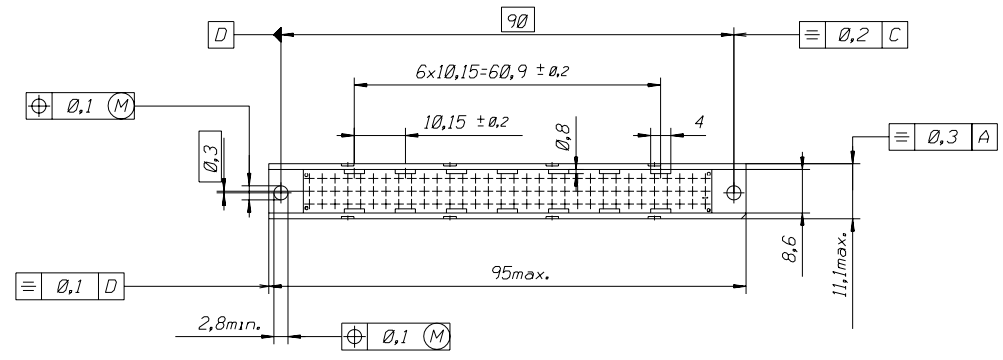


PART NO.  
DWG. NO.



section A-A  
5:1



View W  
5:1

FIRST ANGLE PROJECTION		REVISE ONLY ON CAD SYSTEM		SH.	REV.
UNLESS OTHERWISE SPECIFIED TOLERANCES: ANGULAR ±2'		DRWG BY	SIGN	CAD/CAM PROJECT NAME	
INCH		Ca		THIS DRAWING CONTAINS INFORMATION THAT IS PROPRIETARY TO MOLEX INC. & SHOULD NOT BE USED WITHOUT WRITTEN PERMISSION	
METRIC		CHK'D BY	SIGN	TITLE	
3 PLACE ± .	±	KN		96 pos. Male connector DIN 41612 style R (C-Pin) Dimensions	
2 PLACE ± .	±	APP'D BY	SIGN	MOLEX EUROPE	
1 PLACE ± .	±			SHEET NO. DATE 1 OF 3 9/11/28	
DRAFT WHERE APPLICABLE MUST REMAIN WITHIN DIMENSIONS		SCALE	PART NO. DWG NO. SIZE		
DESIGN DIMENSION	<input checked="" type="checkbox"/> MM <input type="checkbox"/> IN.	1:1	see sh. no. 2 of 3 610-6043-201		B
EQUIVALENT DIMENSION	<input type="checkbox"/> MM <input type="checkbox"/> IN.				
IF TWO DIMENSIONS ARE SHOWN THE UPPER IS THE DESIGN DIMENSION, LOWER IS SECONDARY					