

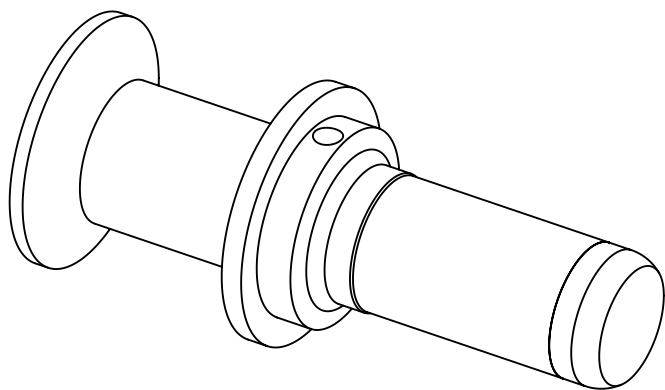
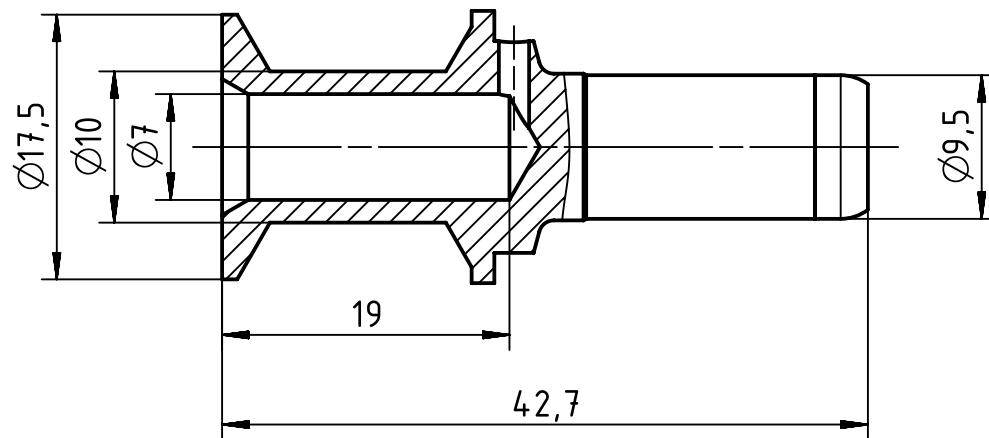
1 2 3 4 5 6



A

B

C

D



 All Dimensions in mm Original Size DIN A4	Scale	Free size tol.			Ref.
	2:1				Sub.
 All rights reserved Department EL PD - DE	Created by	Inspected by	Standardisation	Date	State
	MOELLERLI	BEISCHER	TIEMANNA	2014-05-23	Final Release
HARTING Electric GmbH & Co. KG D-32339 Espelkamp	Title				Doc-Key / ECM-Nr.
	Han TC200 male contact 25qmm finger prot				100576204 / UGD / 001 / A 500000075187
Type		Number		Rev.	Page
TB		09 11 000 7120		A	1/1