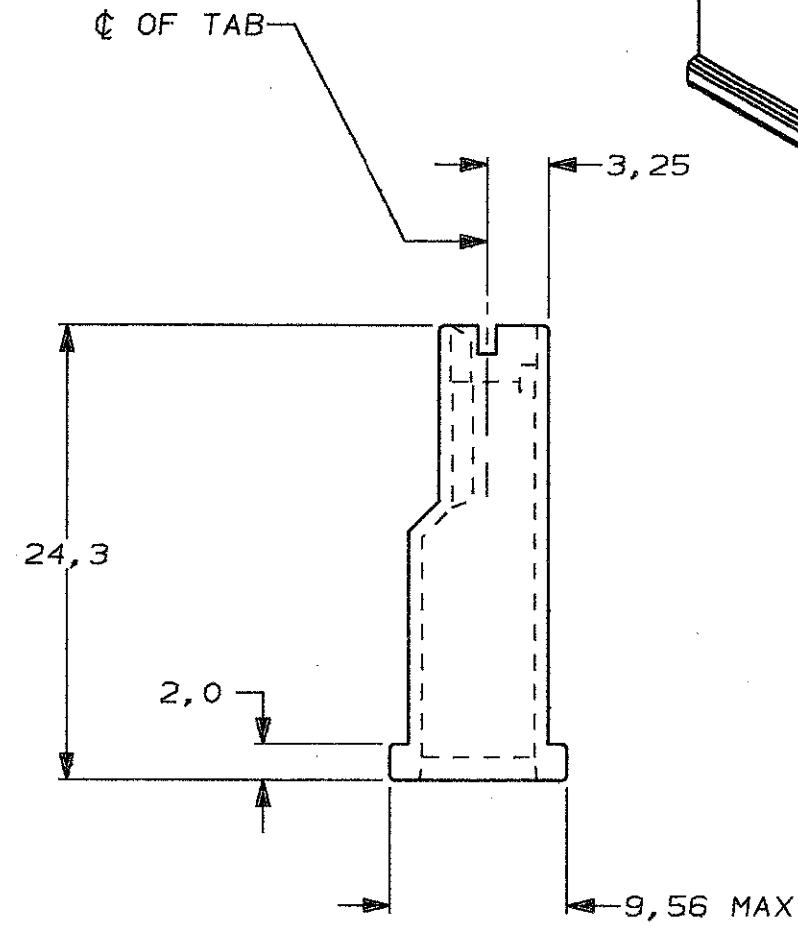
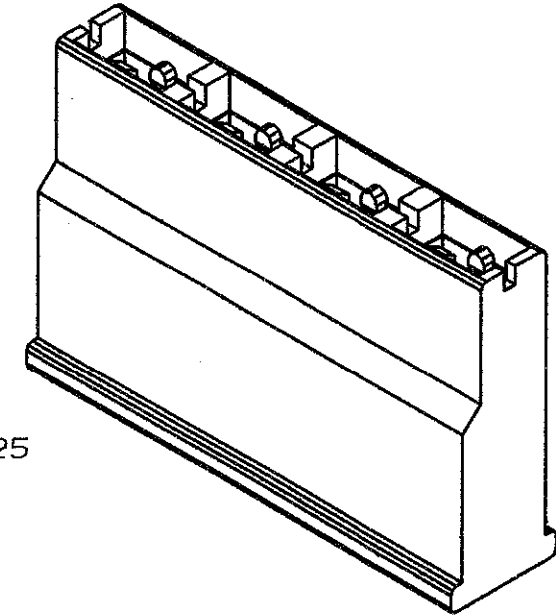
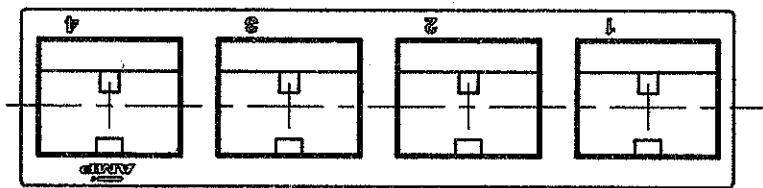
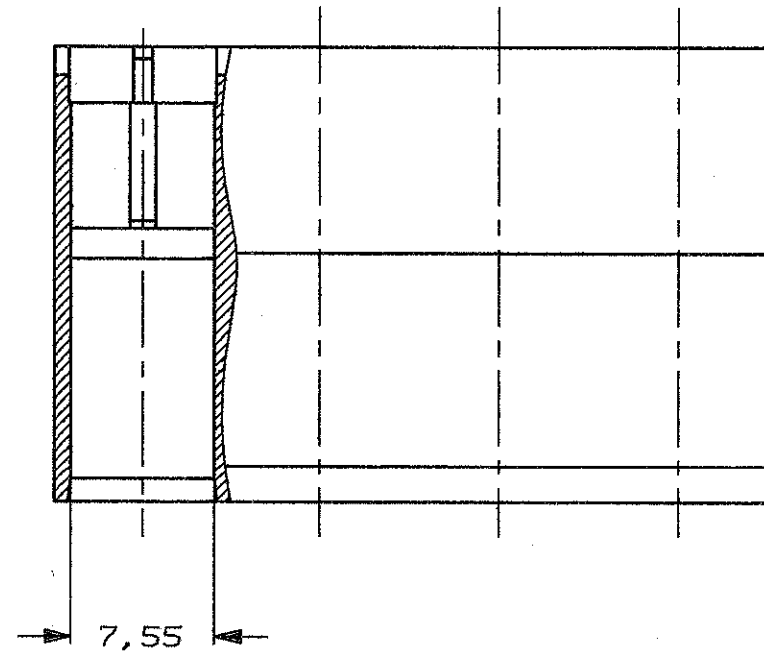
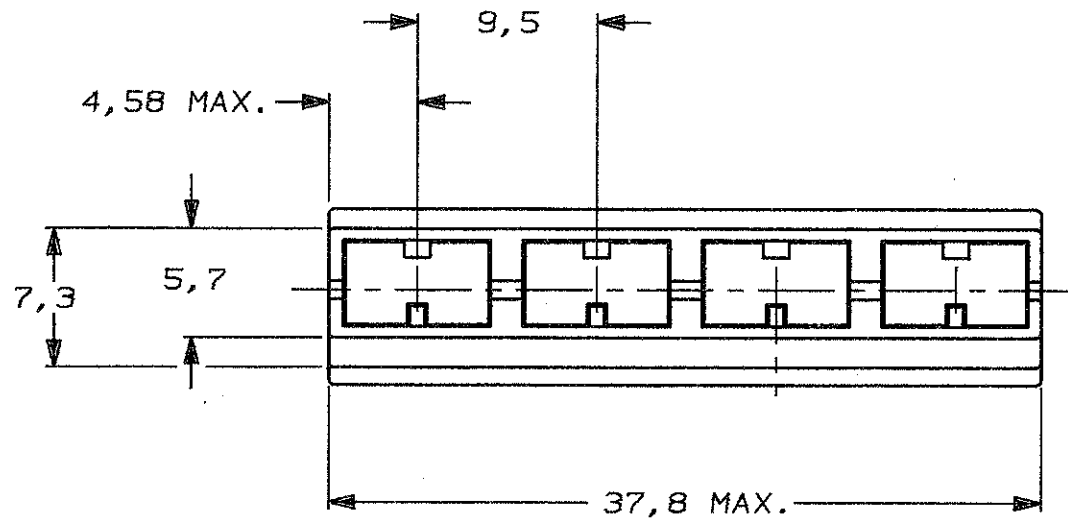
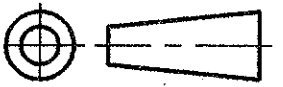


DO NOT SCALE
DIMENSIONS IN mm

METRIC

THIRD ANGLE
PROJECTION



| | | |
|--------|-------------|------------|
| BLACK | PA 6/6 94V2 | 215956-1 |
| COLOUR | MATERIAL | PARTNUMBER |

CUSTOMER DRAWING

AMP AMP-HOLLAND B.V.
's-Hertogenbosch, The Netherlands.

THIS DRAWING IS UNPUBLISHED RELEASED FOR PUBLICATION MARCH, 1988

© COPYRIGHT 1988 BY AMP-HOLLAND B.V.
ALL INTERNATIONAL RIGHTS RESERVED.
AMP PRODUCTS MAY BE COVERED BY U.S. AND FOREIGN PATENTS AND/OR PATENTS PENDING.

| | | | | |
|---------------------|--------------------|-------------------|---|------------------------------------|
| DR. L.v.D.HEYDEN | DATE 24.03.1988 | WIRE RANGE - | NAME 4 POSITION POSITIVE LOCK HOUSING | REV.DATE D M Y 031188 |
| CHK. R.v.Lokven | DATE 28.04.88 | INSUL. RANGE - | | |
| APP. L.v.Soest | DATE 03.05.88 | SIZE A3 | SHEET 1 OF 1 | DWG. No. C-215956 REV.LTR. A |

8 7 6 5 4 3 2 1