

ATLANTIC VERSION TERMINATOR INTERFACE ADAPTER	PART NUMBER	REVISION	DESCRIPTION	FEED TYPE	APPLICATOR STYLE CONVERSION CHART						
					CONVERT TO	PART NUMBERS REQUIRED					
	2266832-1	A	FINE CRIMP HEIGHT ADJUST	MECHANICAL	PNEUMATIC FEED	2119950-1	1338685-1	5-18022-5	2119641-1	2119799-1	2063440-1
	2266832-2	A	FINE CRIMP HEIGHT ADJUST	PNEUMATIC	SERVO LATCH PLATE	2119951-1	-	8-2266832-5	1901094-3	-	2168400-6 (QUANTITY 2)
					SMART APPLICATOR	2161326-1	-	8-2266832-4	-	-	
					MECHANICAL FEED	2119949-1	1338685-1	5-18022-5	2119653-1	-	-
	2266832-5	A	FINE CRIMP HEIGHT ADJUST	SERVO LATCH PLATE ⁴	SERVO LATCH PLATE	2119951-1	-	8-2266832-5	1901094-3	-	2168400-6 (QUANTITY 2)
					SMART APPLICATOR	2161326-1	-	8-2266832-4	-	-	
	2266832-6	A	NON-CRIMP HEIGHT ADJUST	SERVO LATCH PLATE ⁴	MECHANICAL FEED	2119949-1	1338685-1	5-18022-5	2119653-1	-	-
PNEUMATIC FEED					2119950-1	1338685-1	5-18022-5	2119641-1	2119799-1	2063440-1	
2266832-7	A	FINE CRIMP HEIGHT ADJUST	NONE	-	-	-	-	-	-	-	
7-2266832-7	A	CRIMP TOOLING KIT	-	-	-	-	-	-	-	-	

APPLICATOR DATA		
CRIMP	SIZE	TYPE
WIRE	1.30 mm [.051]	F
INSUL	1.70 mm [.067]	F

APPLICATOR INSTRUCTIONS
408-10389

TERMINAL DATA: JST TERMINAL		JST CRIMP SPECIFICATION	
TERMINAL NAME: TERMINAL, RA CONNECTOR			
WIRE STRIP LENGTH		INSULATION DIAMETER RANGE	
2.10-2.90 mm [.083-.114 IN]		Ø1.30-1.70 mm [.051-.067 IN]	
TERMINAL APPLICATION SPECIFICATION	CHM-1-196 Rev 09-06-10		
TERMINALS APPLIED			
TE TERMINAL	JST TERMINAL	TE TERMINAL	JST TERMINAL
286996-1	RA-SC1290		

WIRE SIZE	CRIMP HEIGHT mm [INCH]	CRIMP HEIGHT REFERENCE SETTING
22 AWG	0.69+/-0.025 [.027+/- .001]	6.6
24 AWG	0.65+/-0.025 [.025+/- .001]	7.0
26 AWG	0.59+/-0.025 [.023+/- .001]	7.7

- RECOMMENDED SPARE PARTS
- GREASE BEARING SURFACES LIGHTLY
- 3. LUBRICATE DAILY PER THE APPLICATOR INSTRUCTION SHEET SUPPLIED WITH THE APPLICATOR.
- APPLICATOR SPECIFIC DATA TO BE ENTERED INTO BLANK MEMORY CHIP AT ASSEMBLY. SEE BELOW FOR PART NUMBER:
 MECHANICAL FEED WITH "SMART APPLICATOR" CONVERSION: 8-2266832-4
 PNEUMATIC FEED WITH "SMART APPLICATOR" CONVERSION: 8-2266832-4
 SERVO FEED WITH "FINE CRIMP HEIGHT ADJUST": 8-2266832-5
 SERVO FEED WITH "NON-CRIMP HEIGHT ADJUST": 8-2266832-6
- 5. ADJUSTMENT OF THE STRIPPER MAY BE REQUIRED WHEN MOVING THE APPLICATOR BETWEEN BENCH AND LEADMAKER APPLICATIONS.
- APPLY PART NUMBER 1-23419-5 LOCTITE TO THREADS OF ITEM 62. APPLY PART NUMBER 2-23419-6 LOCTITE TO THREADS OF ITEM 242. FOR -6 ONLY APPLY PART NUMBER 1-23419-5 LOCTITE TO THREADS OF ITEM 37.
- GREASE THREADS, GROOVE AND O-RING ON ITEMS 35 & 252.
- MAGNET, ITEM 166 MUST BE ORIENTED CORRECTLY IN ORDER TO PROPERLY ACTUATE THE COUNTER.
- CRIMP HEIGHT REFERENCE SETTING WAS THE SETTING USED WHEN THE APPLICATOR WAS QUALIFIED AT THE FACTORY. ADJUSTMENT MAY BE NECESSARY WHEN RUNNING APPLICATOR IN THE FIELD.
- SPARE FEED CAM STORAGE LOCATION REFER TO INSTRUCTION SHEET FOR ADDITIONAL INFORMATION.
- TO CONVERT THE APPLICATOR TO A NON-CARRIER CUTTING STYLE, REMOVE ITEM 13 AND ATTACH TO THE LOCATION ON THE BACK SIDE OF THE HOUSING. REFER TO INSTRUCTION SHEET FOR ADDITIONAL INFORMATION.
- WHEN ASSEMBLING A NON CRIMP HEIGHT ADJUST APPLICATOR (-6) USE SHIMS FROM ITEM 260 TO ACHIEVE A NOMINAL SHIM HEIGHT OF 5.11.

***WARNING**
ON INSTALLATION, SET WIRE DISC, ITEM 40 TO LARGEST WIRE SIZE SETTING. USE OF SETTINGS BELOW MINIMUM REQUIRED CRIMP HEIGHT SETTING WILL CAUSE DAMAGE TO CRIMP TOOLING.

-77	-7	-6	-5	-2	-1	PART NO	DESCRIPTION	ITEM NO
-	-	1	-	-	-	2119957-2	APPLICATOR SHIM PACK	260

ATLANTIC VERSION
Shown on sheets 1 of 4 & 2 of 4
(Pacific version shown on sheets 3 of 4 & 4 of 4)

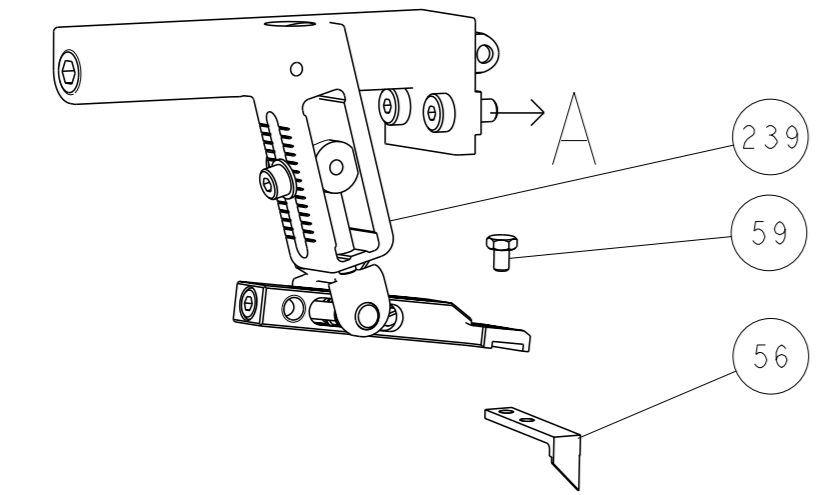
SET UP GAUGE	LOC	DIST	REVISIONS			
2119599-1	A	66	#	DATE	OWN	APVD
			1	ORIGINAL	24JUN2015	GH TE
			A	RELEASED	23SEP2015	GH TE

#	QTY	DESCRIPTION	DATE	OWN	APVD
-	1	8-21084-0 O-RING, .676 ID, .070 DIA. MAT.			252
-	-	2119640-1 PUSH ROD, AIR FEED			250
-	-	2079988-1 BUSHING, LCH5-12, MISUMI			249
-	-	2119641-1 FEED CAM, AIR FEED			248
-	1	2119798-1 DETENT PIN			247
-	1	1-22279-3 SPRING, COMPRESSION			246
-	-	2119758-1 RAM, AMP STYLE, SIDE FEED, NON-ADJ.			245
-	1	2119082-4 CAM, SNAIL, INSULATION ADJUSTMENT			244
-	1	2079764-1 WASHER, WAVE SPRING, CREST-TO-CREST			243
-	1	2119083-1 RETAINER, INSULATION DIAL			242
-	1	7-18023-7 SCR, SKT HD CAP M3 X 4.0			241
-	2	2168400-6 SHCS, LOW HEAD, RoHS, M5 X 16			240
-	-	2119580-1 MECHANICAL FEED ASSEMBLY			239
-	-	2063440-1 AIR FEED MODULE			238
-	1	2119740-2 TAG, IDENTIFICATION			213
-	1	1901094-3 SPACER, FEEDER			198
-	-	21045-3 RING, RETAIN, EXTERN, 3/16 CRESCENT			172
-	1	994969-1 MAGNET, RARE EARTH HIGH ENERGY			166
-	REF	994970-2 COUNTER, MAGNETIC			164
-	-	240638-1 SPRING, FEED FINGER			163
-	-	3-23627-7 PIN, RETAIN, GRVD, 3/16 X .854			137
-	-	2119799-1 HOLDER, FEED FINGER, AF			136
-	REF	SEE NOTE 4 MEMORY CHIP, PROGRAMMED			135
-	1	1633743-1 SERVO FEED LATCH ASM			133
-	REF	2119944-1 FEED FINGER ASSEMBLY, SF			117
-	1	455888-4 SPACER, CRIMPER			82
-	1	2119956-1 DOCUMENTATION PACKAGE			71
-	1	2119791-5 DEPRESSOR, WIRE			70
-	1	2119740-1 TAG, IDENTIFICATION			67
-	2	2168078-1 SCREW, DRIVE, RH, RoHS, 2 x .188			66
-	1	2119793-1 LIMITER, ADJUSTMENT BOLT			63
-	3	992763-5 SCR, SET, SOC, CONE POINT, M3 x 4.0			62
-	1	2079383-4 SCR, BHSC, RoHS (M4 X 8)			60
-	-	5-18022-5 SCR, HEX HD CAP, M4 X 6.0			59
-	-	1338685-1 PAWL, FEED			56
-	4	2168400-1 SHCS, LOW HEAD, RoHS, M4 X 12			54
-	2	1-2168083-0 SCR, SKT HD CAP, RoHS, M4 X 10			53
-	1	5018030-1 NUT, HEX, REG, RoHS, M3			52
-	1	811242-5 BUMPER, HOLD DOWN			51
-	1	690753-2 SPACER, TONKER			50
-	-	18023-9 SCR, SKT HD CAP M4 X 6.0			49
-	-	2119652-1 FEED CAM, PRE FEED			48
-	-	2119653-1 FEED CAM, POST FEED			47
-	1	2119656-9 APPLICATOR BASIC ASSEMBLY, SF			46
-	1	2119370-1 RAM, AMP STYLE, SIDE FEED			44
-	1	2079383-7 SCR, BHSC, RoHS (M8 X 25)			41
-	1	2119645-1 DISC, NUMBERED FA WIRE ADJUSTMENT			40
-	1	2119957-1 APPLICATOR SHIM PACK			39
-	1	1-2119644-4 RAM WASHER, PRECISION			38
-	1	2119085-1 FA HEAD, ATLANTIC STYLE			37
-	1	2119092-1 BOLT, ADJUSTMENT			35
-	1	1752356-3 SUPPORT, TERMINAL			34
-	2	2079383-5 SCR, BHSC, RoHS (M4 X 20)			33
-	1	2161328-1 HEX HEAD, FLANGED, M5 x 8mm LONG			32
-	1	1320908-6 SPACER, STRIP GUIDE			30
-	1	2119959-1 ASSEMBLY, STRIP GUIDE			29
-	1	1320928-2 STRIP GUIDE			24
-	1	2168083-2 SCR, SKT HD CAP, RoHS, M4 X 8.0			21
-	2	1-18028-2 WASHER, FLAT, REG M4			20
-	1	2119533-1 STRIPPER, SIDE FEED			19
-	1	2119806-1 INSERT, SHEAR			13
-	1	3-22280-3 SPRING, COMPRESSION			12
-	1	1-356885-4 STOP, SHEAR			11
-	1	2119805-1 SHEAR HOLDER, FRONT			10
-	1	1803095-3 FLOATING SHEAR, FRONT			9
-	1	5-1803056-6 ANVIL, COMBINATION			8
-	-	-			7
-	-	-			6
-	1	2119757-4 DEPRESSOR, SHEAR			5
-	1	2-238011-5 BLOCK, CRIMPER SPACER			4
-	1	9-1633962-1 CRIMPER, INSULATION F PREMIUM			3
-	1	455888-4 SPACER, CRIMPER			2
-	1	9-1633738-1 CRIMPER, WIRE			1

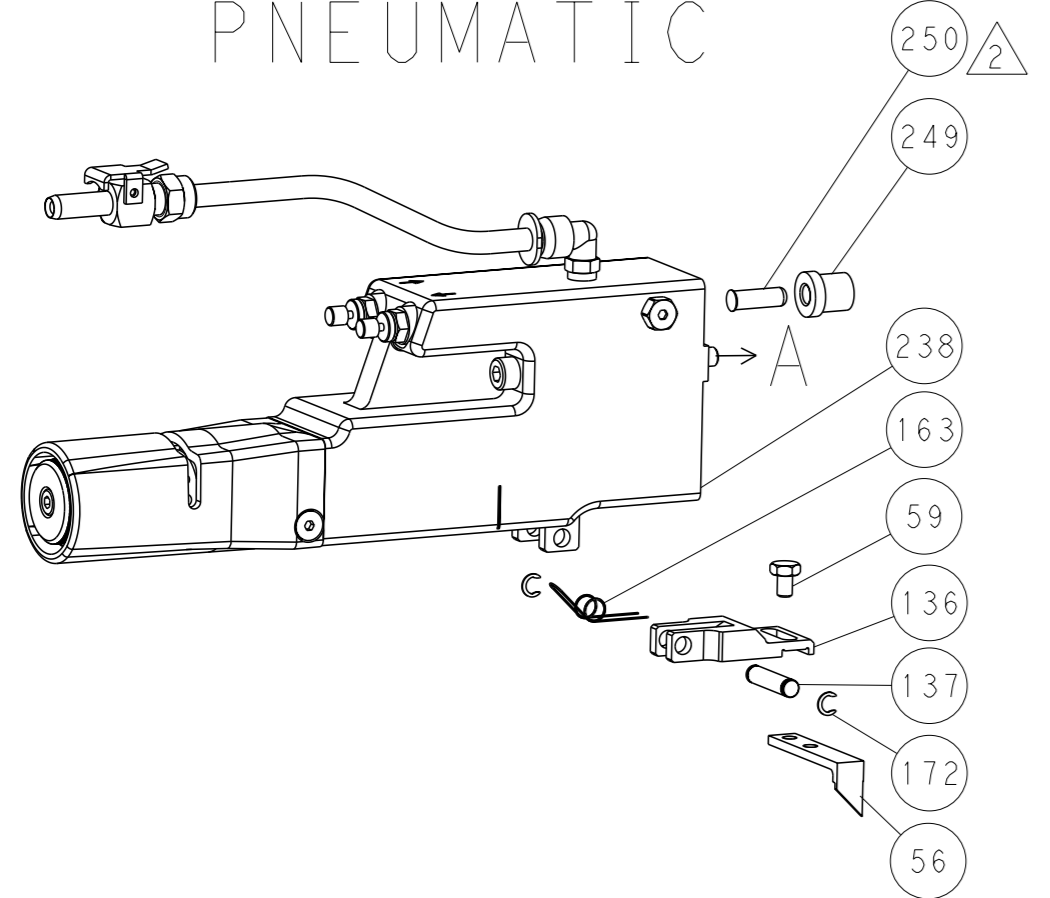
DIMENSIONS:		TOLERANCES UNLESS OTHERWISE SPECIFIED:		OWN	DATE	TE Connectivity	
mm	0 PLC ±.5	1 PLC ±.5	2 PLC ±.13	HOFFNER	24JUNE2015	Harrisburg, PA 17105-3608	
	3 PLC ±0.013	4 PLC ±0.0001	ANGLES ±.1	T. ELBIN	25JUNE2015	Ocean Side Feed Applicator	
MATERIAL	FINISH	WEIGHT	SCALE	APVD	REV	SHEET	RESTRICTED TO
			1:2		00779	1 of 4	

LOC		DIST		REVISIONS			
A		66		REV	DATE	OWN	APVD
-				1	SEE SHEET 1	-	-

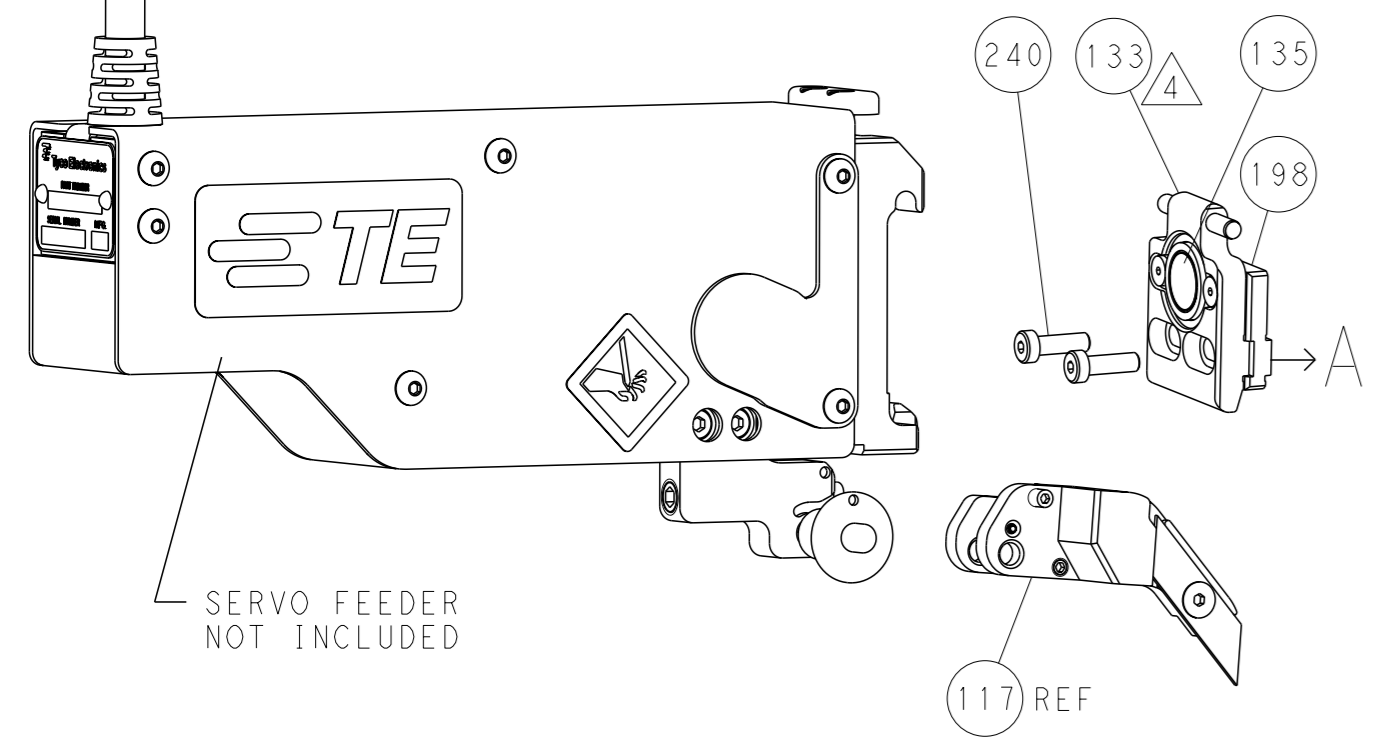
FEED TYPE MECHANICAL



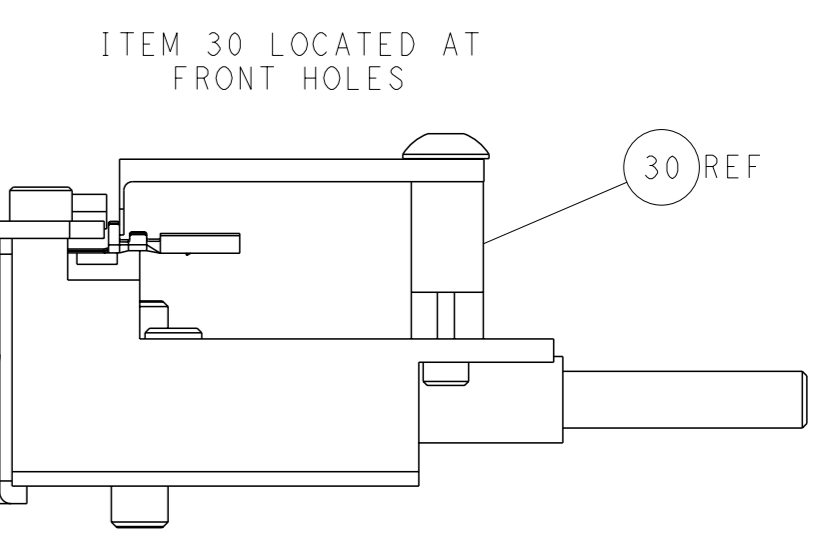
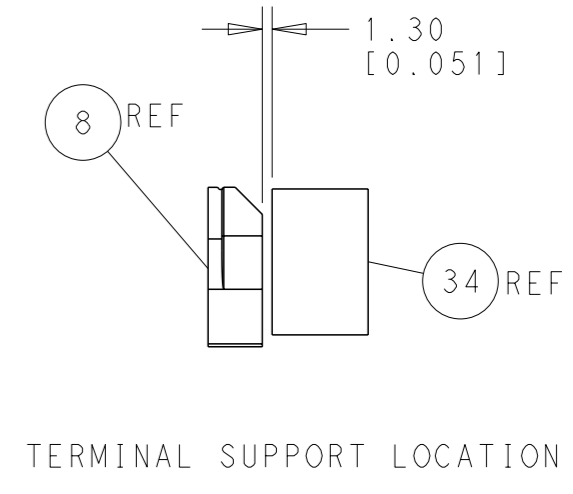
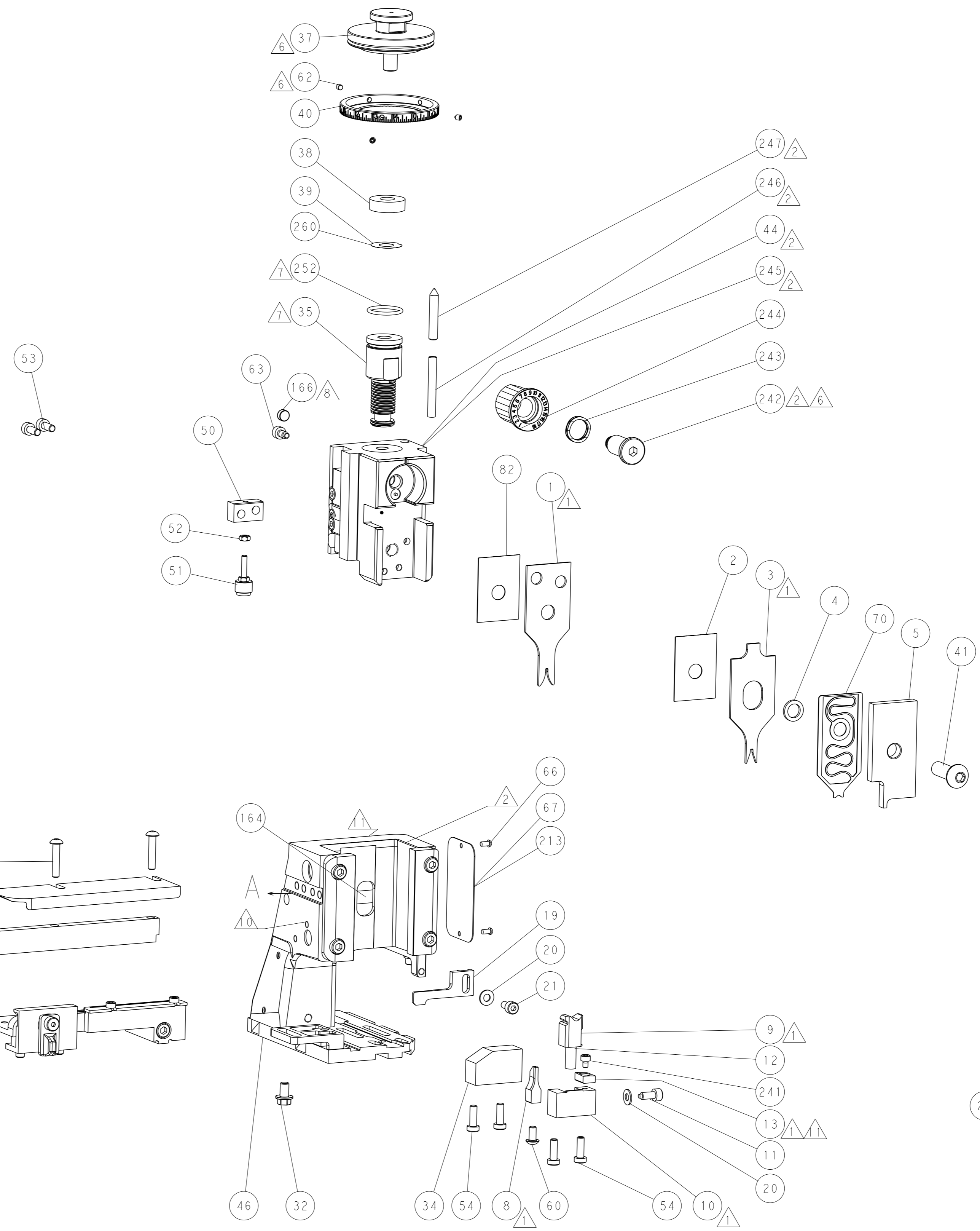
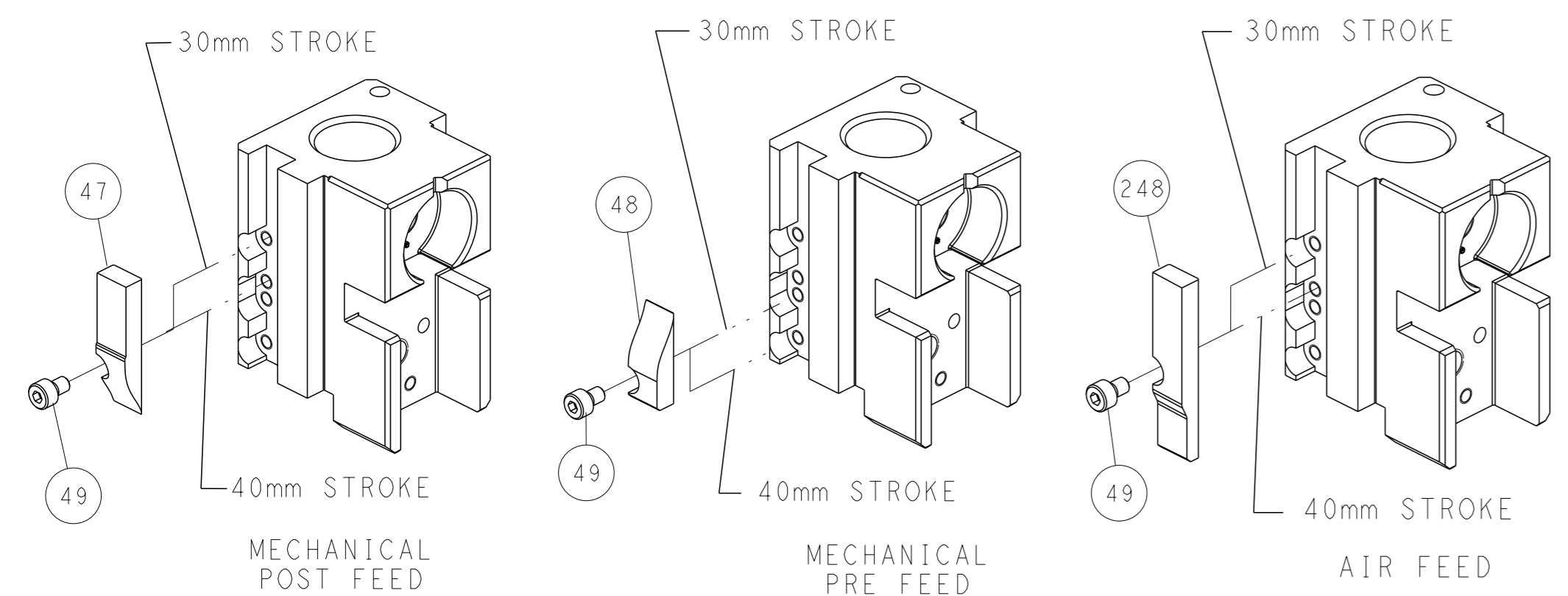
PNEUMATIC



SERVO LATCH PLATE



CAM POSITIONS



FEED TRACK POSITION
GUIDE BY INSULATION BARREL

ATLANTIC VERSION
 Shown on sheets 1 of 4 & 2 of 4
 (Pacific version shown on sheets 3 of 4 & 4 of 4)

DIMENSIONS:		TOLERANCES UNLESS OTHERWISE SPECIFIED:		OWN: HOFFNER 24JUNE2015		TE Connectivity	
mm		0 PLC ±0.5		CHK: T. ELBIN 25JUNE2015		Harrisburg, PA 17105-3608	
MATERIAL:		FINISH:		APVD: T. ELBIN 25JUNE2015		NAME: Ocean Side Feed Applicator	
				WEIGHT:		SIZE: CAGE CODE DRAWING NO. RESTRICTED TO	
				Customer Accessible Production Drawing		SCALE: 1:2 SHEET 2 of 4 REV A	

PACIFIC VERSION TERMINATOR INTERFACE ADAPTER	PART NUMBER	REVISION	DESCRIPTION	FEED TYPE	APPLICATOR STYLE CONVERSION CHART						
					CONVERT TO	PART NUMBERS REQUIRED					
	2-2266832-1	A	FINE CRIMP HEIGHT ADJUST	MECHANICAL	PNEUMATIC FEED	2119950-1	1338685-1	5-18022-5	2119641-2	2119799-1	2063440-1
					SERVO LATCH PLATE	2119951-1	-	8-2266832-5	1901094-3	-	2168400-6 (QUANTITY 2)
					SMART APPLICATOR	2161326-1	-	8-2266832-4	-	-	-
	2-2266832-2	A	FINE CRIMP HEIGHT ADJUST	PNEUMATIC	MECHANICAL FEED	2119949-1	1338685-1	5-18022-5	2119653-2	-	-
					SERVO LATCH PLATE	2119951-1	-	8-2266832-5	1901094-3	-	2168400-6 (QUANTITY 2)
					SMART APPLICATOR	2161326-1	-	8-2266832-4	-	-	-
	2-2266832-5	A	FINE CRIMP HEIGHT ADJUST	SERVO LATCH PLATE	MECHANICAL FEED	2119949-1	1338685-1	5-18022-5	2119653-2	-	-
					PNEUMATIC FEED	2119950-1	1338685-1	5-18022-5	2119641-2	2119799-1	2063440-1
	2-2266832-7	A	FINE CRIMP HEIGHT ADJUST	NONE	-	-	-	-	-	-	-
	7-2266832-7	A	CRIMP TOOLING KIT	-	-	-	-	-	-	-	-

APPLICATOR DATA		
CRIMP	SIZE	TYPE
WIRE	1.30 mm [.051]	F
INSUL	1.70 mm [.067]	F
APPLICATOR INSTRUCTIONS 408-10389		

TERMINAL DATA: JST TERMINAL		JST CRIMP SPECIFICATION	
TERMINAL NAME: TERMINAL, RA CONNECTOR			
WIRE STRIP LENGTH		INSULATION DIAMETER RANGE	
2.10-2.90 mm [.083-.114 IN]		Ø1.30-1.70 mm [.051-.067 IN]	
TERMINAL APPLICATION SPECIFICATION	CHM-1-196 Rev 09-06-10		
TERMINALS APPLIED			
TE TERMINAL	JST TERMINAL	TE TERMINAL	JST TERMINAL
286996-1	RA-SC1290		

WIRE SIZE	CRIMP HEIGHT mm [INCH]	CRIMP HEIGHT REFERENCE SETTING
22 AWG	0.69 +/- 0.025 [.027 +/- .001]	6.6
24 AWG	0.65 +/- 0.025 [.025 +/- .001]	7.0
26 AWG	0.59 +/- 0.025 [.023 +/- .001]	7.7

- RECOMMENDED SPARE PARTS
- GREASE BEARING SURFACES LIGHTLY
- LUBRICATE DAILY PER THE APPLICATOR INSTRUCTION SHEET SUPPLIED WITH THE APPLICATOR.
- APPLICATOR SPECIFIC DATA TO BE ENTERED INTO BLANK MEMORY CHIP AT ASSEMBLY. SEE BELOW FOR PART NUMBER:
 - MECHANICAL FEED WITH "SMART APPLICATOR" CONVERSION: 8-2266832-4
 - PNEUMATIC FEED WITH "SMART APPLICATOR" CONVERSION: 8-2266832-4
 - SERVO FEED WITH "FINE CRIMP HEIGHT ADJUST": 8-2266832-5
- ADJUSTMENT OF THE STRIPPER MAY BE REQUIRED WHEN MOVING THE APPLICATOR BETWEEN BENCH AND LEADMAKER APPLICATIONS.
- APPLY PART NUMBER 1-23419-5 LOCTITE TO THREADS OF ITEM 62. APPLY PART NUMBER 2-23419-6 LOCTITE TO THREADS OF ITEM 242.
- GREASE THREADS, GROOVE AND O-RING ON ITEMS 139 & 152.
- MAGNET MUST BE ORIENTED CORRECTLY IN ORDER TO PROPERLY ACTUATE THE COUNTER.
- CRIMP HEIGHT REFERENCE SETTING WAS THE SETTING USED WHEN THE APPLICATOR WAS QUALIFIED AT THE FACTORY. ADJUSTMENT MAY BE NECESSARY WHEN RUNNING APPLICATOR IN THE FIELD.
- SPARE FEED CAM STORAGE LOCATION REFER TO INSTRUCTION SHEET FOR ADDITIONAL INFORMATION.
- TO CONVERT THE APPLICATOR TO A NON-CARRIER CUTTING STYLE, REMOVE ITEM 13 AND ATTACH TO THE LOCATION ON BACK SIDE OF THE HOUSING. REFER TO INSTRUCTION SHEET FOR ADDITIONAL INFORMATION.

***WARNING**
ON INSTALLATION, SET WIRE DISC, ITEM 40 TO LARGEST WIRE SIZE SETTING. USE OF SETTINGS BELOW MINIMUM REQUIRED CRIMP HEIGHT SETTING WILL CAUSE DAMAGE TO CRIMP TOOLING.

PACIFIC VERSION
Shown on sheets 3 of 4 & 4 of 4
(Atlantic version shown on sheets 1 of 4 & 2 of 4)

SET UP GAUGE	LOC	DIST	REVISIONS					
2119599-1	A	66	#	DATE	DESCRIPTION	DATE	OWN	APVD
			-		SEE SHEET 1			

-	1	1	1	1	2119782-1	FINE ADJUST HEAD ASM, PACIFIC STYLE	251
-	-	-	1	-	2119640-1	PUSH ROD, AIR FEED	250
-	-	-	1	-	2079988-1	BUSHING, LCH5-12, MISUMI	249
-	1	1	1	1	1-22279-3	SPRING, COMPRESSION	246
-	1	1	1	1	2119082-4	CAM, SNAIL, INSULATION ADJUSTMENT	244
-	1	1	1	1	2079764-1	WASHER, WAVE SPRING, CREST-TO-CREST	243
-	1	1	1	1	2119083-1	RETAINER, INSULATION DIAL	242
-	1	1	1	1	7-18023-7	SCR, SKT HD CAP M3 X 4.0	241
-	-	2	-	-	2168400-6	SHCS, LOW HEAD, RoHS, M5 X 16	240
-	-	-	-	1	2119580-1	MECHANICAL FEED ASSEMBLY	239
-	-	-	1	-	2063440-1	AIR FEED MODULE	238
-	-	1	-	-	2119740-2	TAG, IDENTIFICATION	213
-	-	1	-	-	1901094-3	SPACER, FEEDER	198
-	-	-	2	-	21045-3	RING, RETAIN, EXTERN, 3/16 CRESCENT	172
-	1	1	1	1	994969-1	MAGNET, RARE EARTH HIGH ENERGY	166
-	REF	REF	REF	REF	994970-2	COUNTER, MAGNETIC	164
-	-	-	1	-	240638-1	SPRING, FEED FINGER	163
-	1	1	1	1	8-21084-1	O-RING, .801 ID, .070 DIA. MAT.	152
-	-	-	1	-	2119641-2	FEED CAM, AIR FEED	151
-	1	1	1	1	2119798-2	DETENT PIN	145
-	1	1	1	1	2079383-8	SCR, BHSC, RoHS (M4 X 16)	144
-	4	4	4	4	2168400-5	SHCS, LOW HEAD, RoHS, M4 X 20	143
-	-	-	-	1	2119653-2	FEED CAM, POST FEED	142
-	1	1	1	1	1-2119656-0	APPLICATOR BASIC ASSEMBLY, SF	141
-	1	1	1	1	2119650-1	RAM, ASIAN STYLE, SIDE FEED	140
-	1	1	1	1	2119092-2	BOLT, ADJUSTMENT	139
-	-	-	1	-	3-23627-7	PIN, RETAIN, GRVD, 3/16 X .854	137
-	-	-	1	-	2119799-1	HOLDER, FEED FINGER, AF	136
-	-	REF	-	-	SEE NOTE 4	MEMORY CHIP, PROGRAMMED	135
-	-	1	-	-	1633743-1	SERVO FEED LATCH ASM	133
-	-	REF	-	-	2119944-1	FEED FINGER ASSEMBLY, SF	117
-	1	1	1	1	455888-4	SPACER, CRIMPER	82
-	1	1	1	1	2119956-1	DOCUMENTATION PACKAGE	71
-	1	1	1	1	2119791-5	DEPRESSOR, WIRE	70
-	1	-	1	1	2119740-1	TAG, IDENTIFICATION	67
-	2	2	2	2	2168078-1	SCREW, DRIVE, RH, RoHS, 2 x .188	66
-	1	1	1	1	2119793-1	LIMITER, ADJUSTMENT BOLT	63
-	3	3	3	3	992763-5	SCR, SET, SOC, CONE POINT, M3 X 4.0	62
-	-	-	1	1	5-18022-5	SCR, HEX HD CAP, M4 X 6.0	59
-	-	-	-	1	1338685-1	PAWL, FEED	56
-	2	2	2	2	1-2168083-0	SCR, SKT HD CAP, RoHS, M4 X 10	53
-	1	1	1	1	5018030-1	NUT, HEX, REG, RoHS, M3	52
-	1	1	1	1	811242-5	BUMPER, HOLD DOWN	51
-	1	1	1	1	690753-2	SPACER, TONKER	50
-	-	-	1	2	18023-9	SCR, SKT HD CAP M4 X 6.0	49
-	-	-	-	1	2119652-1	FEED CAM, PRE FEED	48
-	1	1	1	1	2079383-7	SCR, BHSC, RoHS (M8 X 25)	41
-	1	1	1	1	2119645-1	DISC, NUMBERED FA WIRE ADJUSTMENT	40
-	1	1	1	1	2119957-1	APPLICATOR SHIM PACK	39
-	1	1	1	1	1-2119644-4	RAM WASHER, PRECISION	38
-	1	1	1	1	1752356-3	SUPPORT, TERMINAL	34
-	2	2	2	2	2079383-5	SCR, BHSC, RoHS (M4 X 20)	33
-	1	1	1	1	2161328-1	HEX HEAD, FLANGED, M5 X 8mm LONG	32
-	1	1	1	1	1320908-6	SPACER, STRIP GUIDE	30
-	1	1	1	1	2119959-1	ASSEMBLY, STRIP GUIDE	29
-	1	1	1	1	1320928-2	STRIP GUIDE	24
-	1	1	1	1	2168083-2	SCR, SKT HD CAP, RoHS, M4 X 8.0	21
-	2	2	2	2	1-18028-2	WASHER, FLAT, REG M4	20
-	1	1	1	1	2119533-1	STRIPPER, SIDE FEED	19
-	1	1	1	1	2119806-1	INSERT, SHEAR	13
-	1	1	1	1	3-22280-3	SPRING, COMPRESSION	12
-	1	1	1	1	1-356885-4	STOP, SHEAR	11
-	1	1	1	1	2119805-1	SHEAR HOLDER, FRONT	10
-	1	1	1	1	1803095-3	FLOATING SHEAR, FRONT	9
-	1	1	1	1	5-1803056-6	ANVIL, COMBINATION	8
-	-	-	-	-	-	-	7
-	-	-	-	-	-	-	6
-	1	1	1	1	2119757-4	DEPRESSOR, SHEAR	5
-	1	1	1	1	2-238011-5	BLOCK, CRIMPER SPACER	4
-	1	1	1	1	9-1633962-1	CRIMPER, INSULATION F PREMIUM	3
-	1	1	1	1	455888-4	SPACER, CRIMPER	2
-	1	1	1	1	9-1633738-1	CRIMPER, WIRE	1

DIMENSIONS:	TOLERANCES UNLESS OTHERWISE SPECIFIED:	OWN	DATE	REV	DESCRIPTION	ITEM NO
mm	0 PLC ±.5 1 PLC ±0.5 2 PLC ±0.13 3 PLC ±0.013 4 PLC ±0.001 ANGLES ±.5	HOFFNER	24JUNE2015	1	TE Connectivity	
		ELBIN	25JUNE2015	2	Harrisburg, PA 17105-3608	
		ELBIN	25JUNE2015	3	Ocean Side Feed	
					Applicator	
					SIZE	
					CAGE CODE	
					DRAWING NO	
					RESTRICTED TO	
					00779	
					Customer Accessible Production Drawing	
					SCALE	
					1:2	
					SHEET	
					3 of 4	
					REV	
					A	

