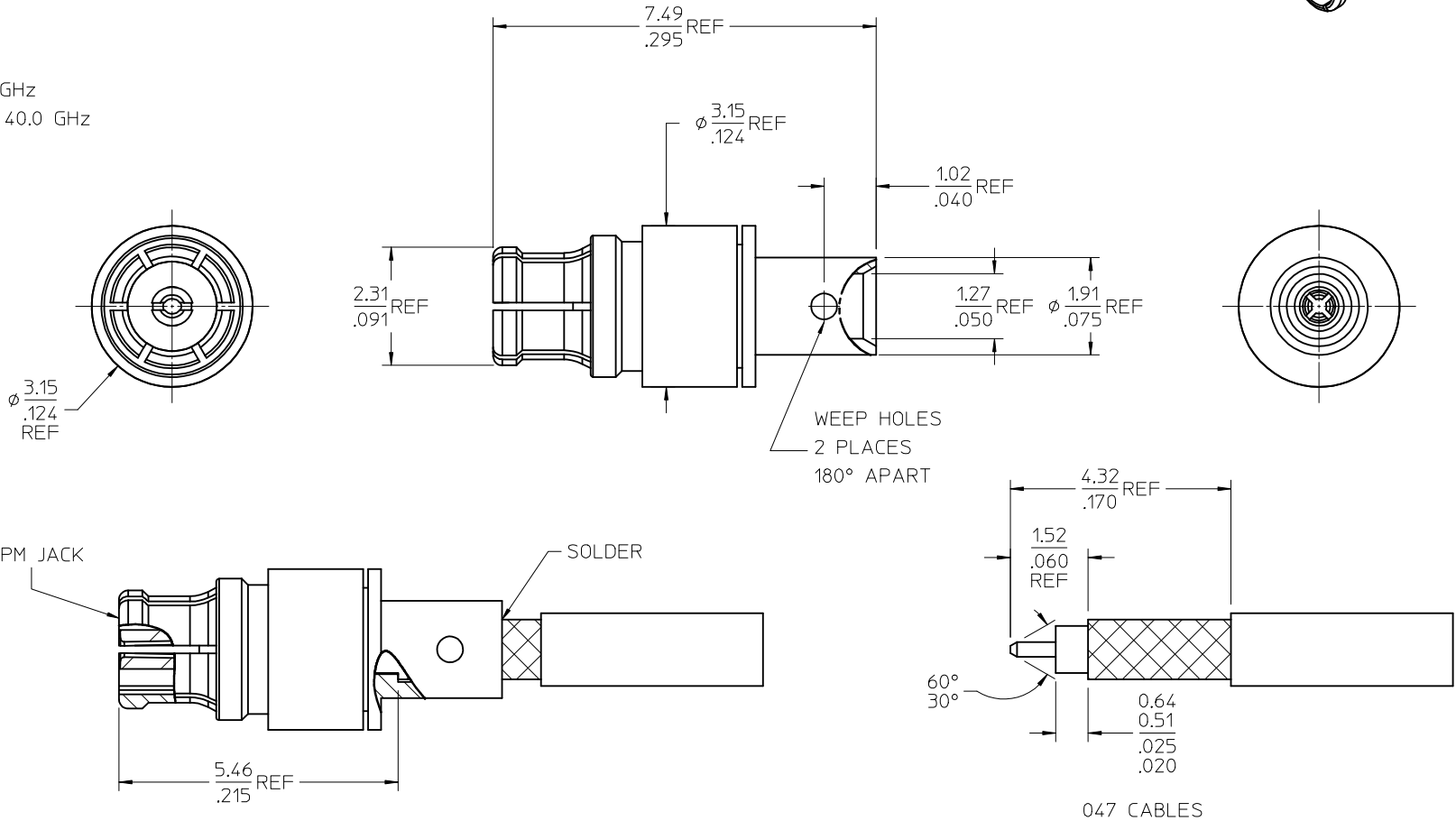
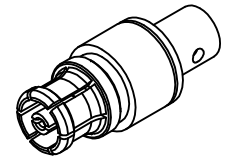


MATERIALS AND FINISHES

BODY, CONTACT, REAR BODY: BERYLLIUM COPPER
 PLATED GOLD (50μ-in MIN)
 OVER NICKEL (50μ-in MIN)

INSULATOR: PTFE

VSWR: 1.10 MAX < 26.5 GHz
 1.20 MAX 26.5 - 40.0 GHz



| | |
|------------|-----------|
| 73300-0150 | TRAY |
| PART NO. | PACKAGING |

| | |
|--------------------------|-----------------------|
| PS-89675-3730 | PRODUCT SPECIFICATION |
| MIL-STD-348A, FIG. 328.1 | INTERFACE |
| SPECIFICATION | DESCRIPTION |

| | |
|--|-------------|
| CHG: CORRECTED MATERIALS AND FINISHES NOTES EC NO: URF2016-0370 DRWN:BSHAH 2015/11/06 CHKD:SSS 2015/11/06 APPR:AROBERTSON 2015/11/11 | DESCRIPTION |
| B3 | REV |

| | |
|-----------------|--|
| QUALITY SYMBOLS | GENERAL TOLERANCES (UNLESS SPECIFIED) |
| $\nabla = 0$ | mm INCH |
| $\nabla = 0$ | 4 PLACES ± --- ± --- |
| $\nabla = 0$ | 3 PLACES ± --- ± 0.010 |
| | 2 PLACES ± 0.25 ± --- |
| | 1 PLACE ± --- ± --- |
| | 0 PLACE ± --- ± --- |
| | ANGULAR ± 2° |
| | DRAFT WHERE APPLICABLE MUST REMAIN WITHIN DIMENSIONS |

| | | | | |
|-----------------|------------|---|--------------|------------------------|
| DIMENSION STYLE | | SCALE | DESIGN UNITS | THIRD ANGLE PROJECTION |
| MM/IN | | | INCH | |
| DRAWN BY | DATE | TITLE | | |
| AROBERTSON | 2013/06/27 | SMPM JACK STRAIGHT FOR 047 CABLES SMPM-JC, EWR-5165 | | |
| CHECKED BY | DATE | molex | | |
| SSS | 2013/06/27 | DOCUMENT NO. SD-73300-015 | | |
| APPROVED BY | DATE | SHEET NO. 1 OF 1 | | |
| JWIENER | 2013/07/09 | THIS DRAWING CONTAINS INFORMATION THAT IS PROPRIETARY TO MOLEX INCORPORATED AND SHOULD NOT BE USED WITHOUT WRITTEN PERMISSION | | |