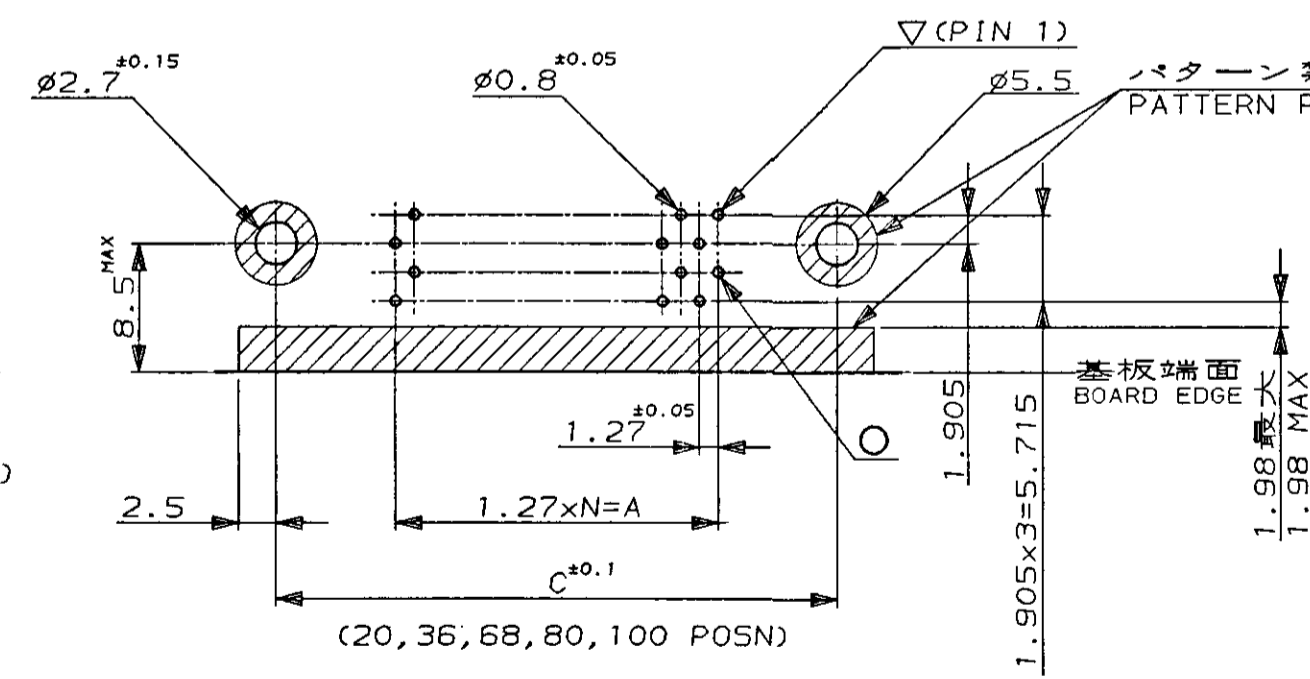
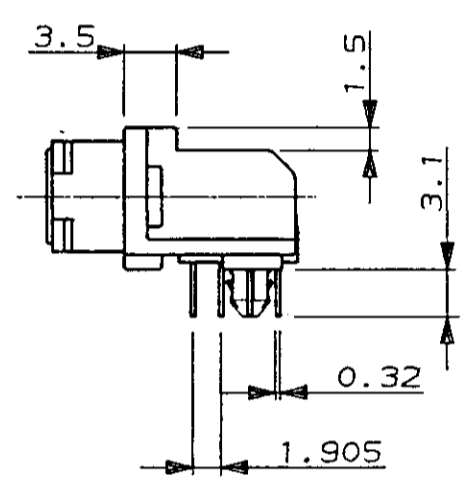
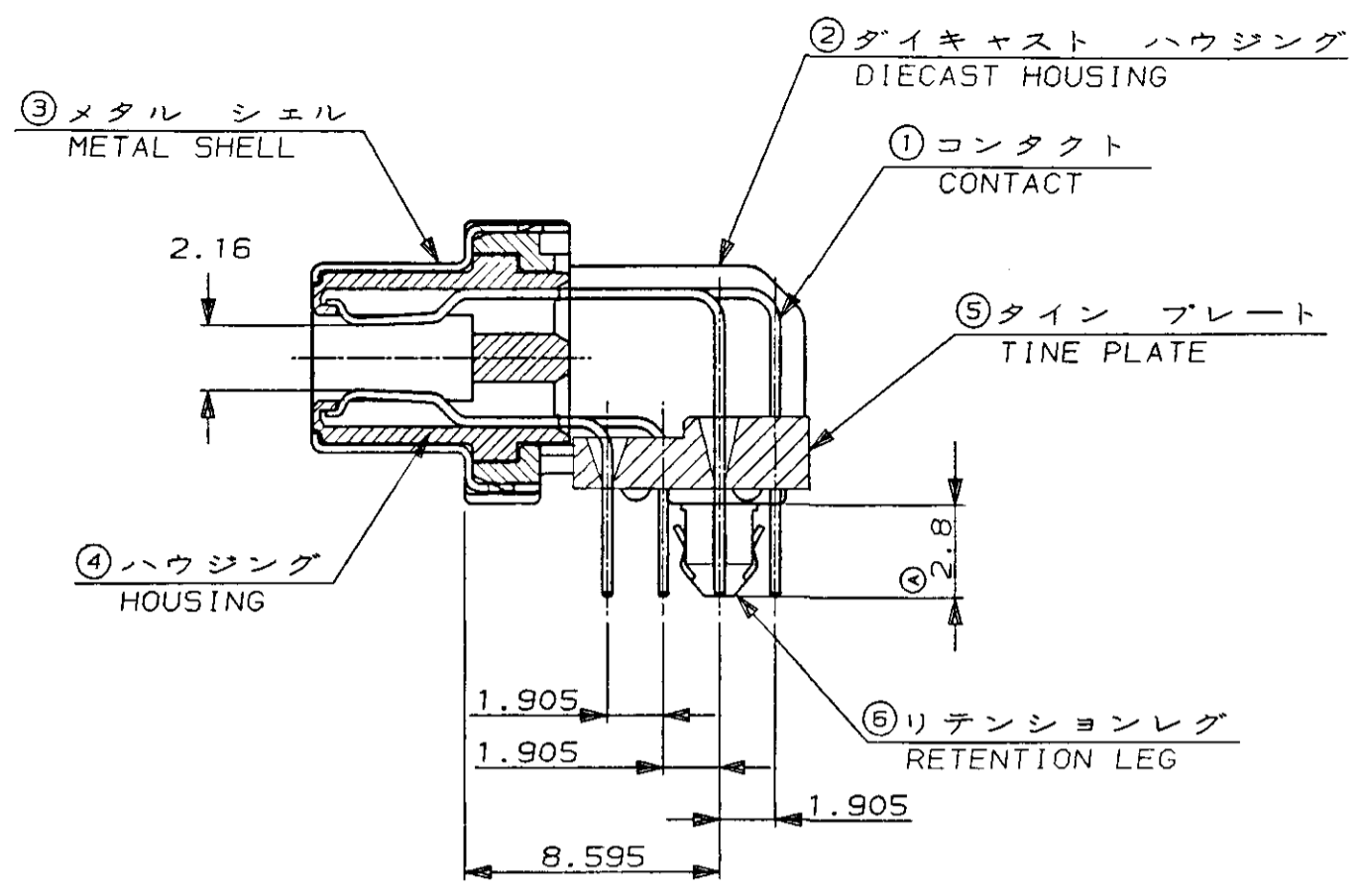


推奨パネルカット寸法
RECOMMENDED PANEL CUTOUT
(厚さ2mm最大)
THK; 2mm MAX



推奨基板穴あけ寸法
RECOMMENDED PC BOARD
MOUNTING DIMMENSION
(コネクタ取付面)
COMPONENT SIDE

ITEM	材 料 (MATERIAL)	仕 上 (FINISH)
①	銅合金 COPPER ALLOY	全面ニッケル下地めっき 接触部: 金めっき (0.3μ, 0.76μ以上) タイン部: 半田めっき NICKEL UNDER PLATE ALL OVER CONTACT AREA; Au (0.3μ, 0.76μ) SOLDER TINE AREA; TIN-LEAD PLATE
②	亜鉛ダイキャスト ZINC	ニッケルめっき NICKEL PLATING
③	鋼 t0.25 STEEL t0.25	銅下地めっき上にニッケルめっき NICKEL PLATE OVER COPPER UNDERPLATE
④	熱可塑性樹脂 (UL:94V-0)	色: 黒 COLOR; BLACK
⑤	THERMO-PLASTIC	
⑥	銅合金 COPPER ALLOY	ニッケル下地めっき上に半田めっき TIN-LEAD PLATE OVER NICKEL UNDERPLATE

NOTES

- RECOMMENDED SCREW SIZE; M2.6 PANHEAD SCREW (L=5)
- RECOMMENDED P.C BOARD THICKNESS; 1.6mm (REF.)
- CONNECTOR TO BE MATED; 175677
- INSERTION FORCE OF RETENTION LEG TO P.C.B; 2.2kg MAX/CONNECTOR.
- RETENTIVITY OF RETENTION LEG TO P.C.B; 0.5kg MIN/CONNECTOR.

注 記

- 適用ねじ: M2.6なべ小ねじ (L=5)
- 推奨基板厚: 1.6mm (参考)
- かん合相手コネクタ: 175677
- リテンションレグ挿入力 (対基板): 2.2kg MAX.
- リテンションレグ保持力 (対基板): 0.5kg MIN.

39	61.9	61.55	71.45	65.55	54.53	49.53	0.76μm	80	3-178238-0
49	74.6	74.25	84.15	78.25	67.23	62.23	0.76μm	100	2-178238-9
33	54.2	53.93	63.83	57.93	46.91	41.91	0.76μm	68	2-178238-8
24	42.8	42.50	52.40	46.50	35.48	30.48	0.76μm	50	2-178238-7
17	33.9	33.61	43.51	37.61	26.59	21.59	0.76μm	36	2-178238-5
12	27.6	27.26	37.16	31.26	20.24	15.24	0.76μm	26	2-178238-4
9	23.8	23.45	33.35	27.45	16.43	11.43	0.76μm	20	2-178238-2
6	19.9	19.64	29.54	23.64	12.62	7.62	0.76μm	14	2-178238-1
39	61.9	61.55	71.45	65.55	54.53	49.53	0.3μm	80	1-178238-0
49	74.6	74.25	84.15	78.25	67.23	62.23	0.3μm	100	178238-9
33	54.2	53.93	63.83	57.93	46.91	41.91	0.3μm	68	178238-8
24	42.8	42.50	52.40	46.50	35.48	30.48	0.3μm	50	178238-7
17	33.9	33.61	43.51	37.61	26.59	21.59	0.3μm	36	178238-5
12	27.6	27.26	37.16	31.26	20.24	15.24	0.3μm	26	178238-4
9	23.8	23.45	33.35	27.45	16.43	11.43	0.3μm	20	178238-2
6	19.9	19.64	29.54	23.64	12.62	7.62	0.3μm	14	178238-1
N	F	E	D	C	B	A	Au PLT.	POSITION	PART No.

Copyright ©1991 年 AMP (Japan) LTD. ALL RIGHTS RESERVED. AMP 日本エー・エム・ピー株式会社 Tokyo, Japan

絶縁電線断面積 (WIRE AREA) mm² (AWG) 絶縁外皮 (INSULATION DIA.) mmφ 名称 (NAME) RECEPTACLE HDR ASS'Y (3.1mm) RETENTION LEG TYPE STANDARD CHAMP.050 Series (II)

材料 (MATERIAL) 仕上 (FINISH) 一般公差 (GENERAL TOLERANCE)

SEE TABLE SEE TABLE 10以下: ±0.2 100以下: ±0.25 300以下: ±0.3 角 度: ±3°

DR. 22/MAR/91 DE. H.KODAMA 尺 寸 (SCALE) 2-1 REV. C SHEET 1 OF 1

LTR 変更 (REVISION RECORD) DR. CHK DATE CHK. 1/APR/91 Y.FUJIIURA APP. 1/APR/91 Y.FUJIIURA