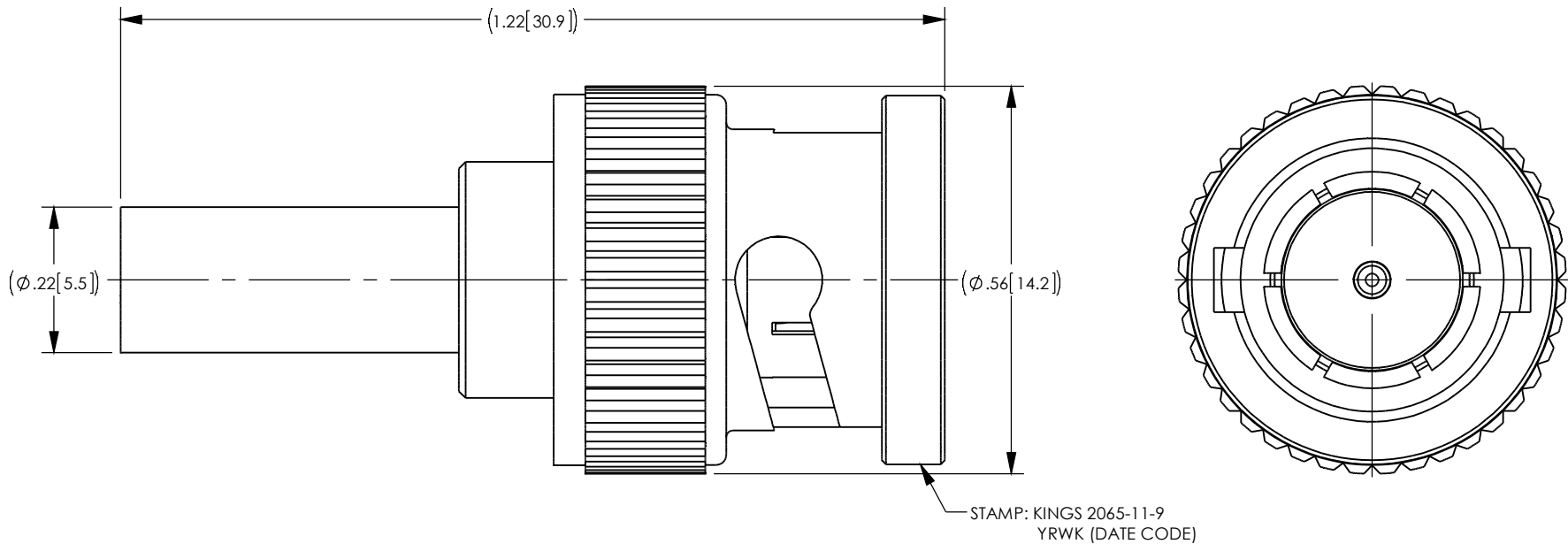


NOTES:

1. FOR USE WITH COMMSCOPE 77538 & BELDEN 1855A & 1865A CABLES.
2. FOR CABLING INSTRUCTIONS SEE 3-661-1.
3. FOR CRIMPING USE DIE KTH-2025.
4. CENTER CONTACT, 1-6690-7MA9, AND K-GRIP SLEEVE 1-33983-1M06 SUPPLIED UNASSEMBLED.
5. INTERFACE PER MIL-STD-348, FIG. 301-1 (AS APPLICABLE).
6. MATERIAL SPECIFICATIONS:
 INSULATOR: TEFLON PER ASTM D4894.
 GASKET: SILICONE RUBBER PER ZZ-R765.
 SPRING WASHER AND OUTER CONTACT: BERYLLIUM COPPER PER ASTM B196.
 ALL OTHER METAL PARTS: BRASS PER ASTM B16.
7. FINISH SPECIFICATIONS:
 CENTER CONTACT: GOLD PER MIL-G-45204
 SPRING WASHER: SILVER PER QQ-S-365
 ALL OTHER METAL PARTS: NICKEL PER QQ-N-290

8. ELECTRICAL SPECIFICATIONS:
 IMPEDANCE: 75 OHMS
 WORKING VOLTAGE: 500 VOLTS RMS
 FREQUENCY RANGE: DC - 12 GHz
 RETURN LOSS: -30dB MAX TO 3.0 GHz
 -20dB MAX TO 6.0 GHz
9. COMPLIANT TO 3G/6G/12G SDI SMPTE REQUIREMENTS.
10. MARK PACKAGE: KINGS 2065-11-9.

REV	DESCRIPTION	BY DATE	APPD
J	ER057798	04/10/15	YA



CATALOG P/N: 2065-11-9

PER ASME Y14.5M-1994
 UNLESS OTHERWISE SPECIFIED:
 DIMENSIONS ARE IN INCHES [MM]
 TOLERANCES:
 DECIMAL: .XX [X.X] ± .01 [0.3]
 .XXX [X.XX] ± .005 [0.13]
 .XXXX [X.XXX] ± .XXXX
 ANGLES: ± 2° SCALE: 4:1

KINGS
 by WINCHESTER Winchester Electronics Corporation
 199 Park Road Ext Suite 104
 Middlebury, Connecticut 06762

DRAWN		DATE		APPROVED		DATE	
J		04/09/2015		MAR		07/28/2015	
APPROVED		DATE		APPROVED		DATE	
YA		04/09/2015		XXX		XX/XX/XX	

CUSTOMER SALES DRAWING		THIRD ANGLE
75 OHM BNC PLUG FOR BELDEN 1855A OR EQUIVALENT CABLE (RoHS)		
A	SD2065-11-9	SHT OF REV 1 1 J