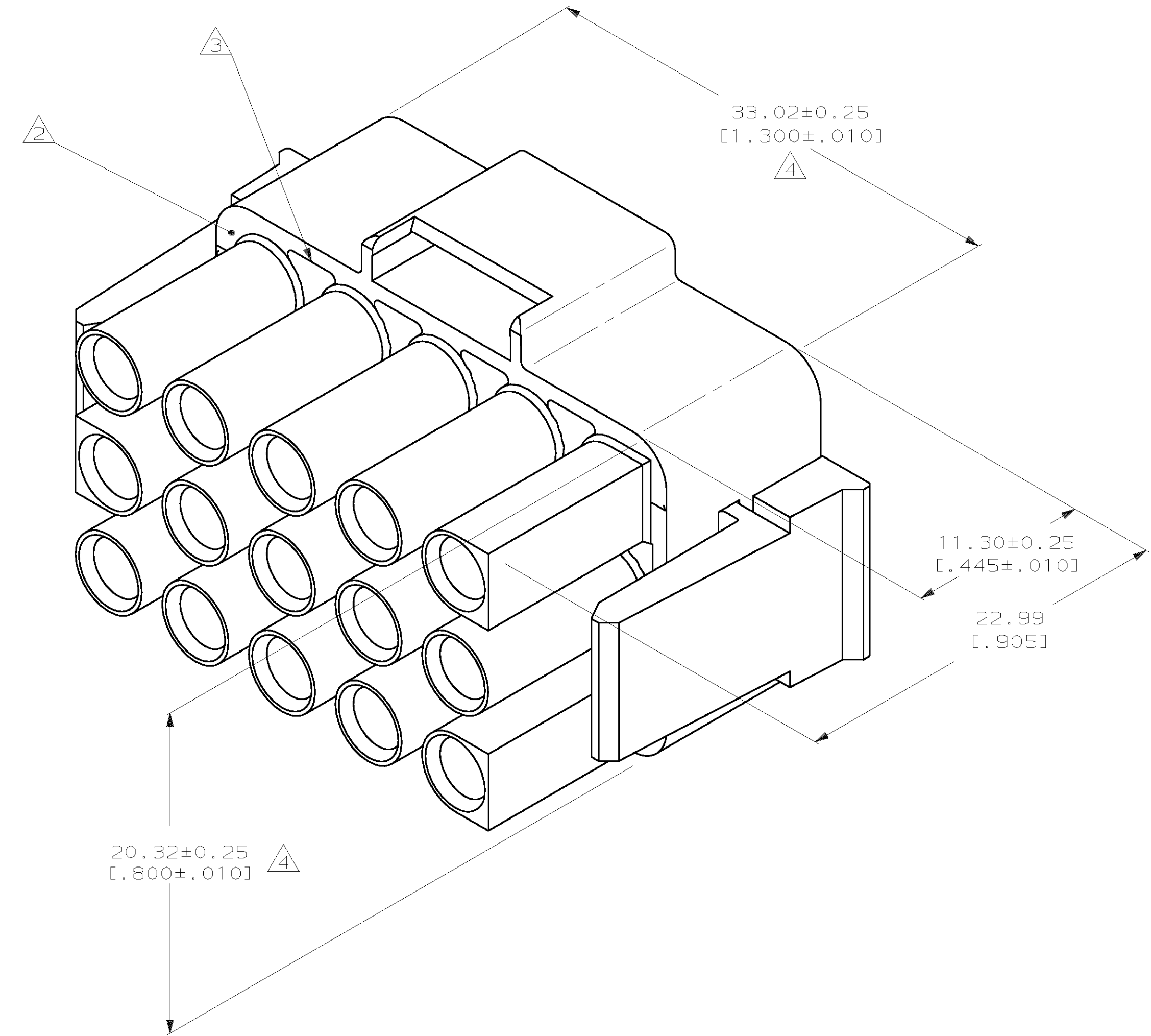


LOC		DIST		REVISONS		DATE	APPD
CM	53	P	F	ZONE	LTR	DESCRIPTION	
						REV PER EC 0L30-0036-97	JH RS

- MUST BE ASSEMBLED WITH PLUG REAR P/N 770044-1 BEFORE MATING. KIT P/N IS 770023-1.
- AMP LOGO LOCATED THIS SURFACE.
- NEW MOLD CONSTRUCTION PROVIDES MATERIAL REDUCTION CORING AT BASE OF SILOS WITH NO CORING AS OPTIONAL.
- DIMENSION INDICATED IS AS MOLDED. ADDITIONAL GROWTH DUE TO SUBSEQUENT MOISTURE ABSORPTION MAY OCCUR.
- DIMENSIONS IN BRACKETS ARE IN INCHES.



770043-1  
PART NUMBER

**METRIC**

DO NOT SCALE PRINT. UNLESS SPECIFIED DIMENSIONS IN mm TOLERANCES ON:		DR 1-15-92 K. SALMON		AMP INCORPORATED Harrisburg, Pa. 17105	
1. PLG DEC ± 0.13 [.005]		CHK 1-15-92 R. SWING			
2. PLG DEC ± 0.13 [.005]		APPD 1-16-92 M. TRULL		NAME	
3. PLG DEC ± 0.13 [.005]		APPD 1-16-92 M. TRULL		PLUG FRONT, 15 CIRCUIT, UNIVERSAL MATE-N-LOK™ II	
MATERIAL NYLON, UL94V-0,		PRODUCT SPEC		DRAWING NO 770043	
FINISH		APPLICATION SPEC		SIZE D	
WEIGHT		SCALE 5:1		FSCM NO 00779	
				SHEET 1 OF 1	