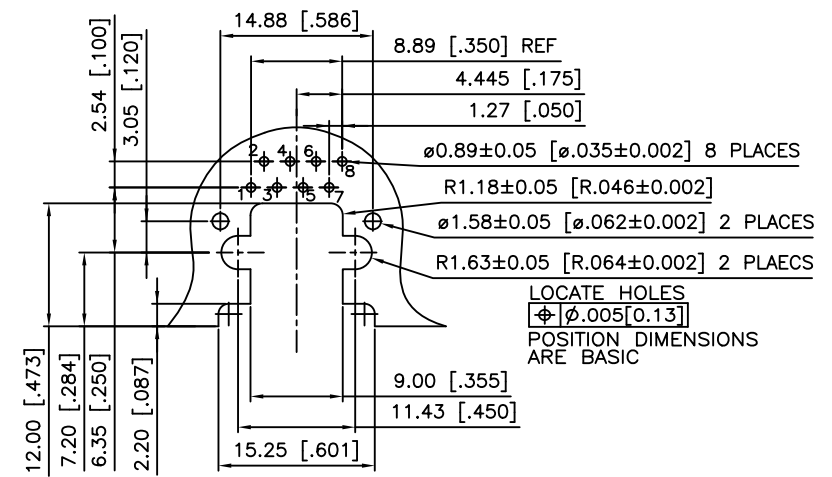
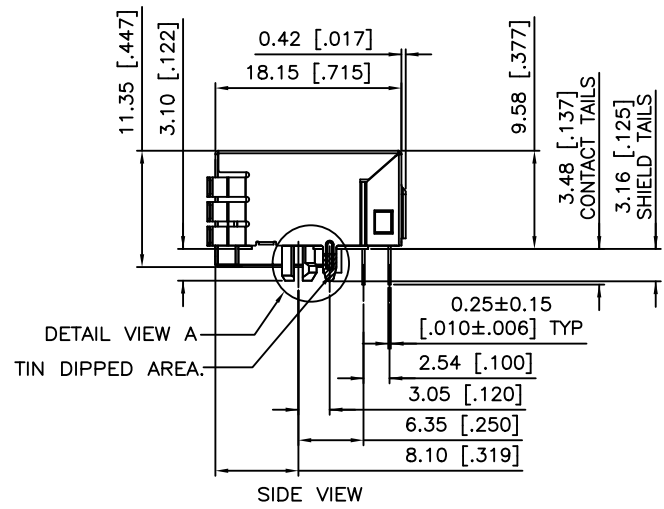
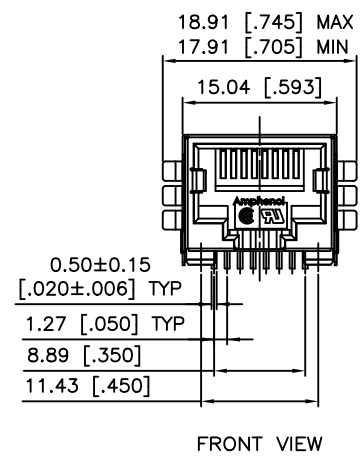
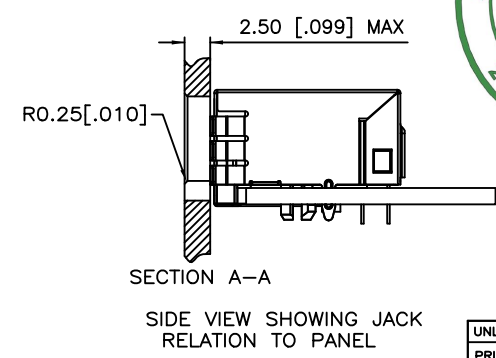
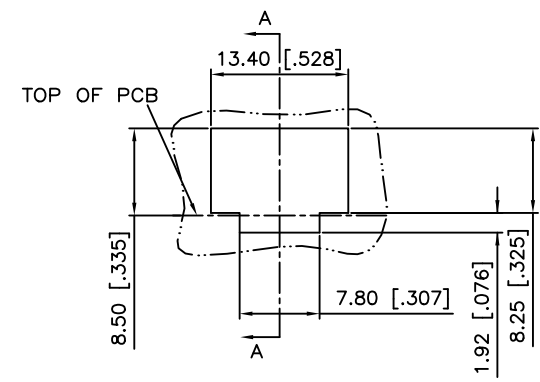
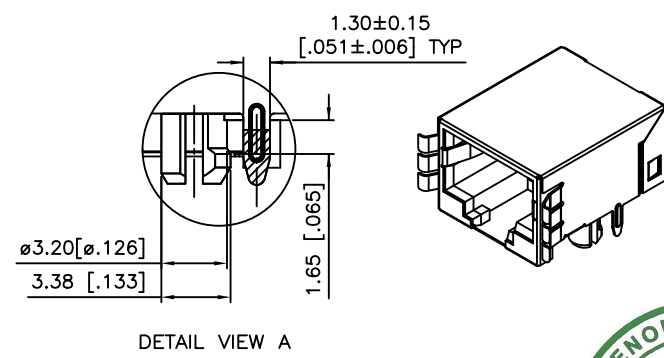
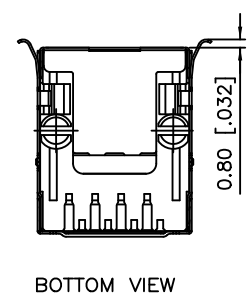


REVISIONS			
REV	DESCRIPTION, ECN, EAR NO.	DATE	APP'D
A	PROPOSAL PER ECN E07035	FEB 27/07	L.CHAN
J	PROPOSAL	JAN 30/08	L.CHAN
K	ADD TIN DIPPED ON SHIELD TAIL	SEP 20/12	L.CHAN
L	ADD PIN DIMENSIONS AND TOLERANCE	FEB 15/17	L.CHAN



LOCATE HOLES
 ⌀ .005 [.013]
 POSITION DIMENSIONS ARE BASIC



SIDE VIEW SHOWING JACK RELATION TO PANEL



AMPHENOL PART NUMBER: RJULE-4X182-01

CONTACT PLATING CODE
 0 = GOLD FLASH
 1 = 15u"
 2 = 30u"
 3 = 50u"

NOTES:
 MATERIALS:
 HOUSING: HIGH TEMPERATURE THERMOPLASTIC. FLAMMABILITY RATING UL 94V-0
 COLOUR: BLACK
 CONTACTS: PHOSPHOR BRONZE
 PLATING: GOLD PLATING ON MATING SURFACES. SEE PART NUMBER SYSTEM OPTION
 50 u" [1.27 MICRONS] MIN. NICKEL UNDERPLATE.
 100 u" [2.54 MICRONS] MIN. MATTE TIN ON SOLDER AREA.
 SHELL: BRASS
 NICKEL PLATING WITH TIN DIPPED ON PCB TAIL.

UNLESS SPECIFIED OTHERWISE	DRAWN Jack Wang	DATE FEB 27/07
PRIMARY UNITS MILLIMETER	CHECKED MT.Chen	DATE FEB 27/07
SECONDARY INCH	M.E. APP'D YM Lee	DATE FEB 27/07
REFERENCE IN PARENTHESES	Q.A. APP'D	
GENERAL TOLERANCES	DWG APPR.	
1 DECIMAL PLACE ±0.50	ENG. REL. NO.	
2 DECIMAL PLACES ±0.30	REF.	
3 DECIMAL PLACES ±0.25	THIRD ANGLE PROJECTION	DO NOT SCALE DRAWING
ANGULAR DEGREES ±1.0°		

Amphenol Canada Corp.
www.amphenolcanada.com
 TITLE RJ ULTRA LOW PROFILE MODULAR JACK 8 POSITIONS, 8 CONTACTS, SHIELD WITH REAR PANEL MOUNT TABS. WITHOUT FLANGE-RoHS COMPLIANT
 DWG. NO. P- RJULE-4X182-01
 CODE ID NO. 03554 DWG SIZE: C SCALE: N/A SHEET 1 OF 1