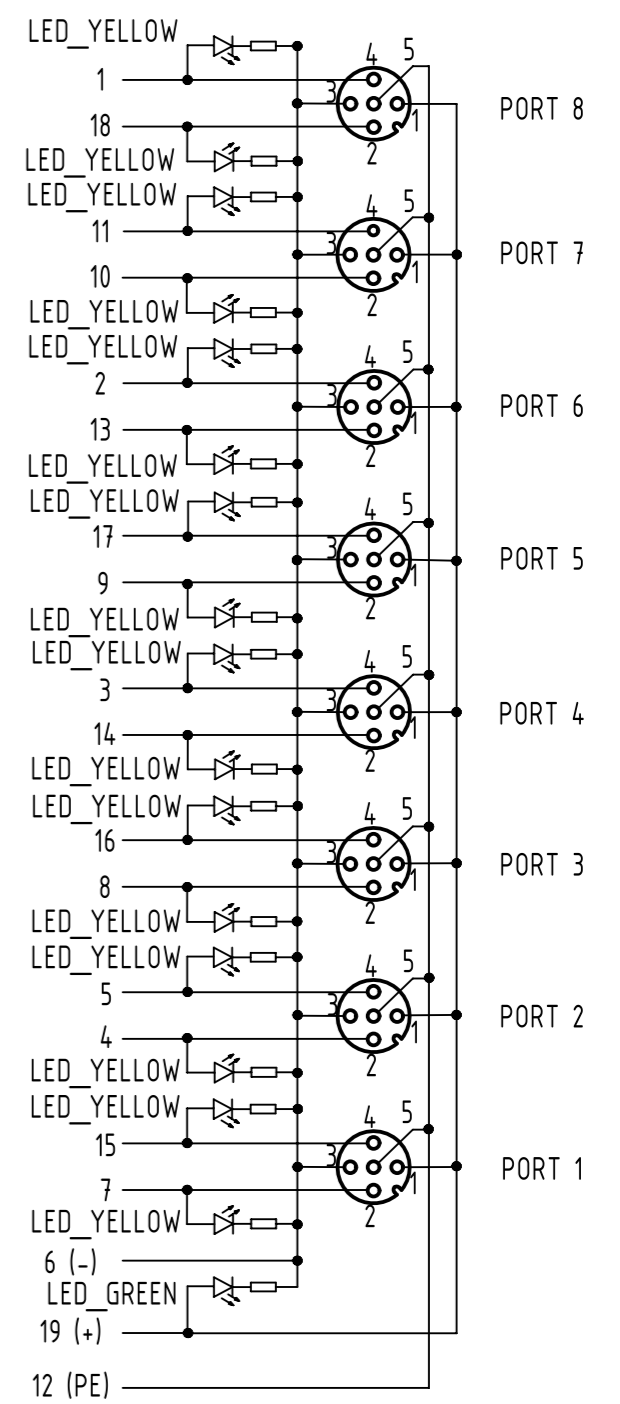


- Protection level: IP 68  
- Temperature range: -20°C...+80°C

Loading plan



Electrical data:  
-Rated voltage: 10-30V DC  
-Nominal: 2 A per Contact  
-Current: 4 A per Outlet  
12 A max total

All Dimensions in mm		Tech. Character.		Free size tol.		According to production drawing	
All rights reserved Department HCS - RO	Created by MUNTEANV	Inspected by POPESCU	Standardisation AVRAM	Date 2017-04-24	State Final Release		Doc-Key / ECM-Nr. 100689611/UGD/000/B 500000118440
	Title har-SAB M12/8/5p M23/19p						
HARTING Customised Solutions D-32427 Minden		Type TB	Number 090700322200				