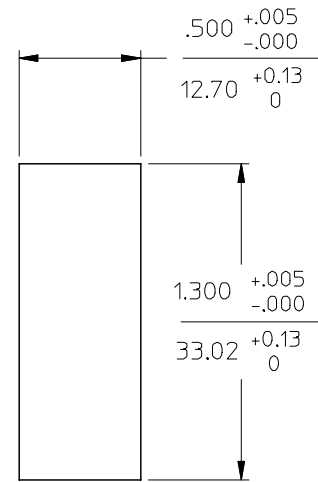
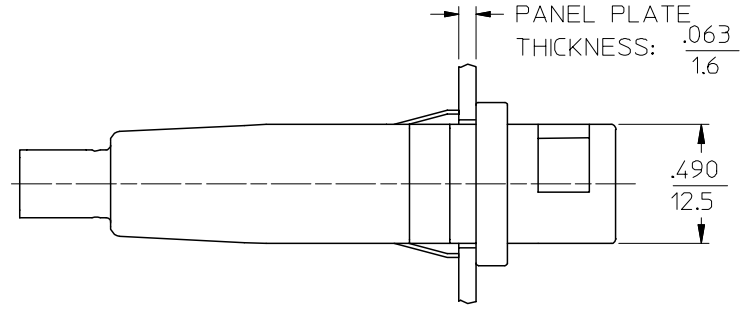
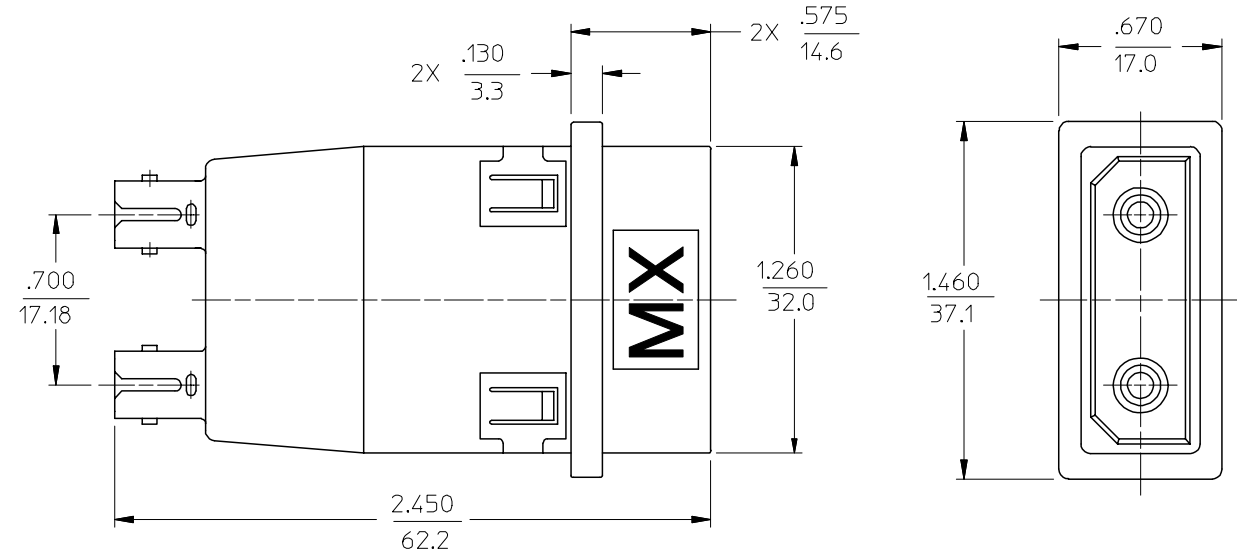


P/N of ADAPTER	MATERIAL of SLEEVE	COLOR of DUST CAP & DUST COVER
106140-0000	CERAMIC	BLACK
106143-0000	PLASTIC	RED



RECOMMENDED MOUNTING HOLE



ENTER DESCRIPTION	QUALITY SYMBOLS
EC NO: MF2006-0283	▽=0
DRWN:PGIBLIN 2005/11/28	▽=0
CHKD: 2005/11/28	
APPR:IGUMIN 2005/11/28	
REV	DESCRIPTION
A	

GENERAL TOLERANCES (UNLESS SPECIFIED)
4 PLACES ± .005 ± .005
3 PLACES ± .005 ± .005
2 PLACES ± .005 ± .005
1 PLACE ± .005 ± .005
ANGULAR ±1/2°

DIMENSION STYLE	SCALE	DESIGN UNITS	THIRD ANGLE PROJECTION
IN/MM	2:1	INCH	
DRAWN BY	DATE	TITLE	
PGIBLIN	2005/10/26	ST-ESCON ADAPTER (SMALL FLANGE)	
CHECKED BY	DATE	MOLEX INCORPORATED	
APPROVED BY	DATE	MATERIAL NO.	DOCUMENT NO.
		SEE TABLE	SD-10614X-0000
DRAFT WHERE APPLICABLE MUST REMAIN WITHIN DIMENSIONS		SIZE	SHEET NO.
		B	1 OF 01

THIS DRAWING CONTAINS INFORMATION THAT IS PROPRIETARY TO MOLEX INCORPORATED AND SHOULD NOT BE USED WITHOUT WRITTEN PERMISSION	
---	--