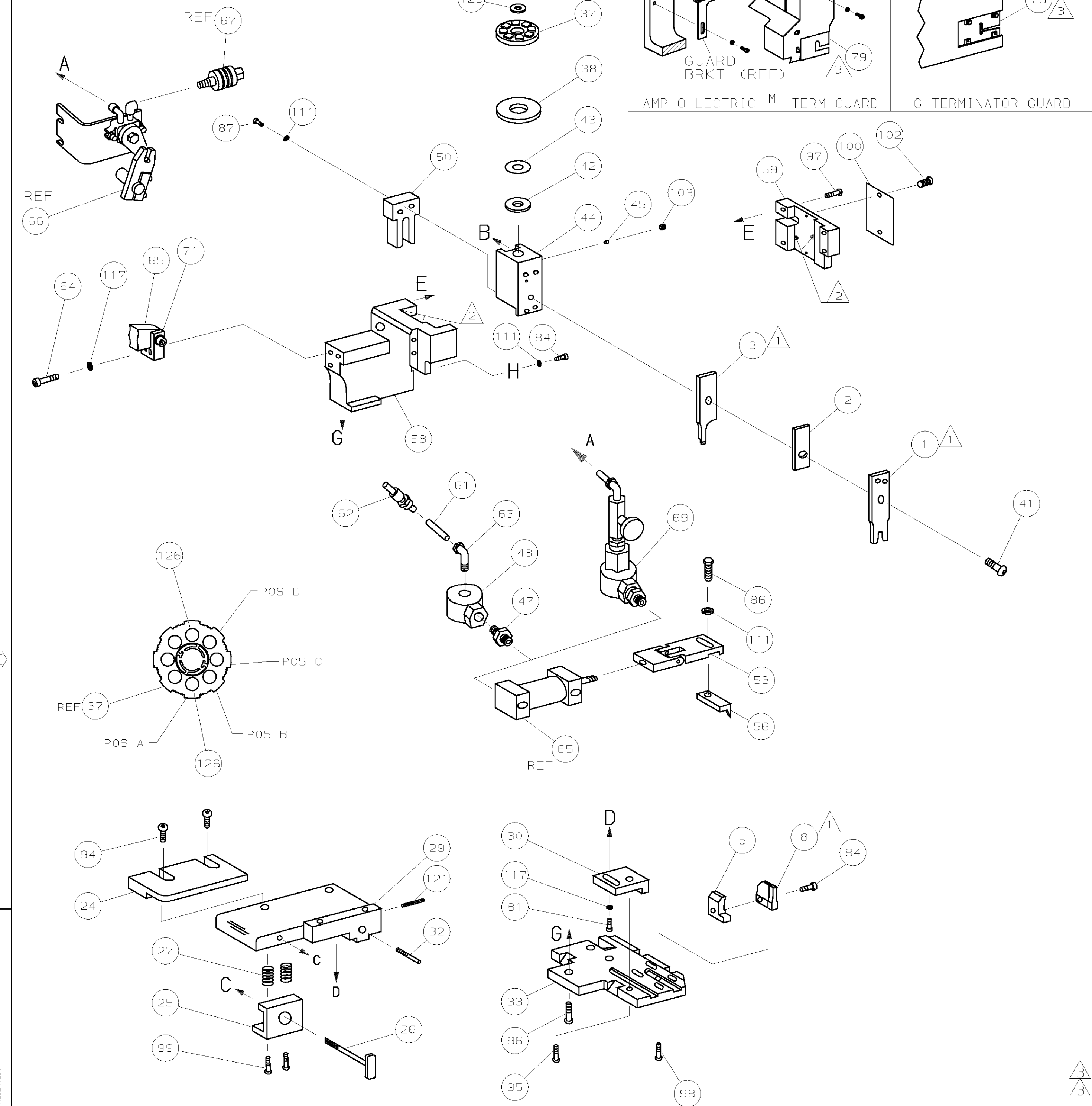


PART NUMBER	REV	FIRST USED
1385164-1	B	122500-1
1385164-2	B	565435-5
1385164-3	B	354500-1

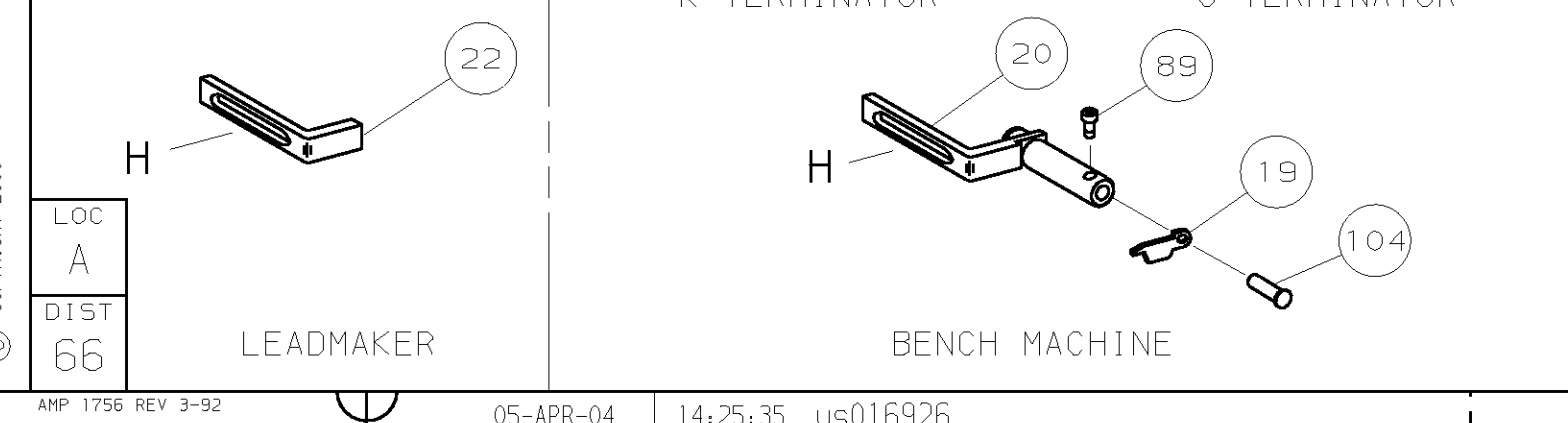


- 1 RECOMMENDED SPARE PARTS.
- 2 GREASE LIGHTLY.
- 3 GUARD MUST BE IN PLACE WHEN OPERATING APPLICATOR IN A BENCH MACHINE.
- 4 SEE DRAWING FOR COMPONENTS
- 5 SOLID WIRE IS ϕ .026 AND IS IN THE FORM OF A RESISTOR SUPPLIED BY CUSTOMER.
- 6 DO NOT TRIM LEAD OF CUSTOMER SUPPLIED RESISTOR.

TERMINAL NAME: TERMINAL		286873		CRIMP DATA (NON-AMP TERMINAL-CUST SPEC)	
PAD LTR	CRIMP HEIGHT	WIRE SIZE			
A	.073 ±.002 [1.85 ±0.05mm]	5			
B	NOT	USED			
C	NOT	USED			
D	NOT	USED			
CRIMP	SIZE	TYPE	RANGE		
WIRE	.090 [2.29mm]	F	5		
INSUL	-	-	-		
WIRE STRIP LENGTH	TERM APPL SPEC	FEED	APPL INSTRUCTION	SET UP GAGE	LAYOUT
6	NONE	.300	408-8040	458637-1	L2414

QTY	REQD	PER	ASSY	PARTS LIST	DESCRIPTION	ITEM NO		
						129		
						128		
						127		
2	2	2	-	C	7-354778-5	PIN, WIRE DISC (.2870)A	126	
1	1	1	-	A	986950-1	WASHER, FLAT PRECISION	125	
1	1	1	-	A	217238-1	GENERAL INSTRUCTION PACKAGE	124	
1	1	1	-	-	4088040	SF APPL INST 408-8040	123	
							122	
1	1	1	-	A	4-21028-0	PIN,SLT SPR(ϕ .093x.75)ST 6DE PL	121	
							120	
							119	
							118	
3	3	3	-	A	21024-5	WASHER, LOCK (#10)ADJ BLOCK	117	
							116	
							115	
							114	
							113	
							112	
4	4	4	-	A	21024-4	WASHER, LOCK (#8) STRIPPER	111	
							110	
							109	
							108	
							107	
							106	
							105	
1	1	-	-	A	992031-1	PIN, CLEVIS	104	
1	1	1	-	A	21009-2	SCR,SKT 5ET(1/4-20x.25 LW)RAM	103	
2	2	2	-	A	21017-2	SCR,DRIVE (#2x.19)ID PLATE	102	
							101	
1	1	1	-	B	461264-1	PLATE, IDENTIFICATION	100	
2	2	2	-	A	3-21002-0	SCR,BHC (10-32x.88)DRAG	99	
1	1	1	-	A	22733-8	SCR,BHC (8-32x.38 LW)ANVIL	98	
4	4	4	-	A	2-21002-9	SCR,BHC (10-32x.75)CAP	97	
3	3	3	-	A	2-22733-8	SCR,BHC (1/4-20x.62)H5G	96	
1	1	1	-	A	2-21002-7	SCR,BHC (10-32x.50)5G ADJ BLK	95	
2	2	2	-	A	2-21002-2	SCR,BHC (8-32x.50)TERM H DWN	94	
							93	
							92	
							91	
							90	
1	1	-	-	A	7-21000-9	SCR,SHC (4-40x.19)STRIPPER	89	
							88	
2	2	2	-	A	2-21000-6	SCR,SHC (8-32x.38)DEP-HOLD	87	
1	1	1	-	A	2-22603-1	SCR,HEX HD (8-32x.38)FEED FINGER	86	
							85	
1	1	1	-	A	2-21000-7	SCR,SHC (8-32x.50)STRIPPER	84	
							83	
							82	
1	1	1	-	A	3-21000-4	SCR,SHC (10-32x.38)5G ADJ BL	81	
							80	
-	1	-	-	B	462992-7	GUARD ASSY	79	
REF	-	-	-	B	679532-1	INSERT, GUARD	78	
							77	
							76	
							75	
							74	
							73	
							72	
1	1	1	-	B	459610-3	MOUNT, FEED BRACKET	71	
QTY	REQD	PER	ASSY	U/M	DWG SIZE	PART NO	DESCRIPTION	ITEM NO

QTY	REQD	PER	ASSY	PARTS LIST	DESCRIPTION	ITEM NO		
						70		
-	1	-	-	C	692655-5	AIR FEED VALVE ASSY	69	
						68		
-	REF	-	-	A	24042-2	VALVE, SHUT OFF	67	
-	REF	-	-	C	692655-6	AIR FEED VALVE ASSY	66	
1	1	1	-	B	461065-1	AIR FEED ASSY (1 INCH)	65	
2	2	2	-	A	3-21000-7	SCR,SHC (10-32x.75)AIR ASSY	64	
1	-	1	-	A	980285-2	ELBOW, SWIVEL 1/8 NPT - 1/4 T	63	
1	-	1	-	A	23238-1	QUICK DISCONNECT	62	
21.00	-	21.00	IN	A	27319-4	TUBING, POLY-FLO ϕ .25	61	
						60		
1	1	1	-	C	454220-1	CAP, RAM	59	
1	1	1	-	D	454485-1	HOUSING	58	
						57		
1	1	1	-	B	1-694433-7	PAWL, FEED	56	
						55		
						54		
1	1	1	-	B	461062-1	FEED FINGER ASSY	53	
						52		
						51		
1	1	1	-	A	1424306-1	SIZING TOOL	50	
						49		
1	-	1	-	A	22374-7	VALVE, QUICK EXHAUST	48	
1	-	1	-	A	22304-1	NIPPLE, HEX 1/8 NPT	47	
						46		
1	1	1	-	A	690191-1	PLUG, NYLON	45	
1	1	1	-	C	455673-8	RAM	44	
1	1	1	-	A	690125-1	WASHER, LAMINATED	43	
1	1	1	-	A	690124-1	WASHER, RAM	42	
1	1	1	-	A	7-21002-9	BOLT, CRIMPER (5/16x1.00)	41	
						40		
						39		
1	1	1	-	A	690223-2	SPACER, INSULATION DISC	38	
1	1	1	-	D	354777-1	WIRE DISC, PLASTIC	37	
1	1	1	-	A	22480-5	WASHER, SPRING	36	
1	1	1	-	B	690212-1	POST, RAM	35	
						34		
1	1	1	-	D	455675-1	PLATE, BASE	33	
1	1	1	-	A	690432-3	SCREW, ADJUSTMENT	32	
						31		
1	1	1	-	B	455689-1	BLOCK, STRIP GUIDE ADJ	30	
1	1	1	-	C	455671-1	PLATE, STRIP GUIDE	29	
						28		
2	2	2	-	A	1-22284-0	SPRING, DRAG	27	
1	1	1	-	B	690546-1	LEVER, DRAG RELEASE	26	
1	1	1	-	B	1424311-1	DRAG, TERMINAL	25	
1	1	1	-	D	1424307-1	GUIDE, STRIP (REAR)	24	
						23		
-	-	1	-	B	690472-9	STRIPPER	22	
						21		
						20		
						19		
						18		
						17		
						16		
						15		
						14		
						13		
						12		
						11		
						10		
						9		
1	1	1	-	C	1424301-1	ANVIL	8	
						7		
						6		
1	1	1	-	C	1424302-1	PLATE, REAR SHEAR	5	
						4		
1	1	1	-	C	853721-5	SLUG BLADE	3	
1	1	1	-	C	455888-1	SPACER, CRIMPER	2	
1	1	1	-	C	4-456406-6	CRIMPER, WIRE	1	
QTY	REQD	PER	ASSY	U/M	DWG SIZE	PART NO	DESCRIPTION	ITEM NO



THIS DRAWING IS A CONTROLLED DOCUMENT.

THIS DRAWING IS UNRELEASED. RELEASE FOR PUBLICATION BY AMP INCORPORATED. ALL RIGHTS RESERVED. 2000

LOC A
DIST 66

BI	ECN 0150-0429-04	TE	4-04
B	0150-0876-00	CE	DECOO
A	REVISED	BH	9/00
P/F	REVISION RECORD	APP	DATE

DIMENSIONS IN INCHES. DO NOT SCALE PRINT. TOLERANCES UNLESS OTHERWISE SPECIFIED:
 2 PLC DEC ±.25
 3 PLC DEC ±.
 4 PLC DEC ±.
 ANGLES ± -
 SURF TEXTURE: ✓
 REMOVE BURRS, BREAK SHARP EDGES R.015 MAX

MATL	HT TR	FIN
DR B.HIGMAN	APP T.ELBIN	
CHK 11AUG00	REL	

AMP Incorporated Harrisburg, PA 17105-3608

NAME: SIDE FEED HDM APPLICATOR MACHINE REF: MINI APPL
 SCALE: 1 OF 1 SHEET REV: B1
 DWG NO: 1385164

CUSTOMER AND ASSEMBLY DRAWING