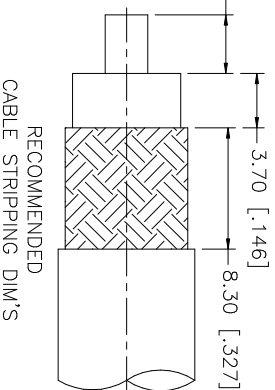
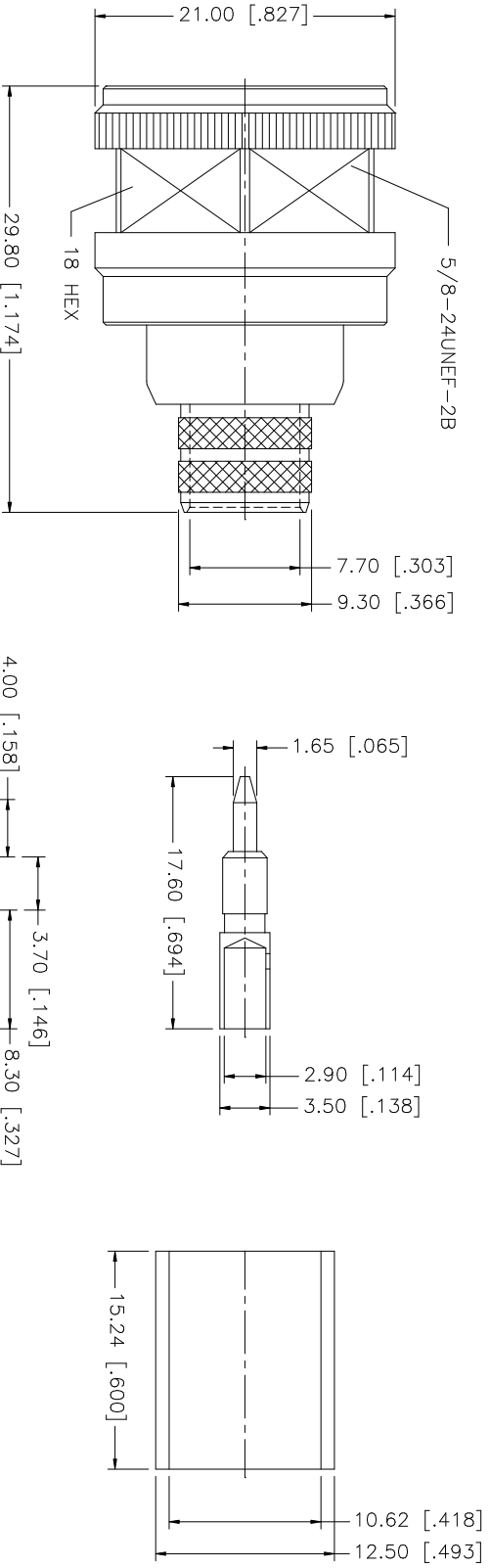


REV.	DATE	DESCRIPTION
NC	03/31/05	INITIAL RELEASE
A	02/23/06	MODIFY FERRULE DIAMETERS



- NOTE:
1. CRIMPED FERRULE
HEX CRIMP SIZE .429"
 2. CRIMPED CONTACT PI
HEX CRIMP SIZE .118"

QTY	FINISH	MATERIAL	DESCRIPTION
1	NEXCOTE	COPPER	FERRULE
1	15U" GOLD	BRASS	CONTACT PIN
1	NATURAL	SUS 304	RETAINER RING
1	RED	SILICONE	GASKET
1	NATURAL	TEFLON	INSULATOR
1	NEXCOTE	BRASS	SHELL/BODY

APPROVALS	DATE	PART DESCRIPTION
DRAWN G.R.S.	02/23/06	N CRIMP PLUG - FOR LMR 400, (FOR LMR400, B9913 CABLE)
CHECKED		
ISSUED		
SHEET 1 OF 1		

DO NOT SCALE DRAWING	CAD FILE	DWG. NO.	REV.	SIZE	SCALE
	C:/172/172102H243-11.DWG	172102H243-11.DWG	A	A	NA

Amphenol Connex