

4

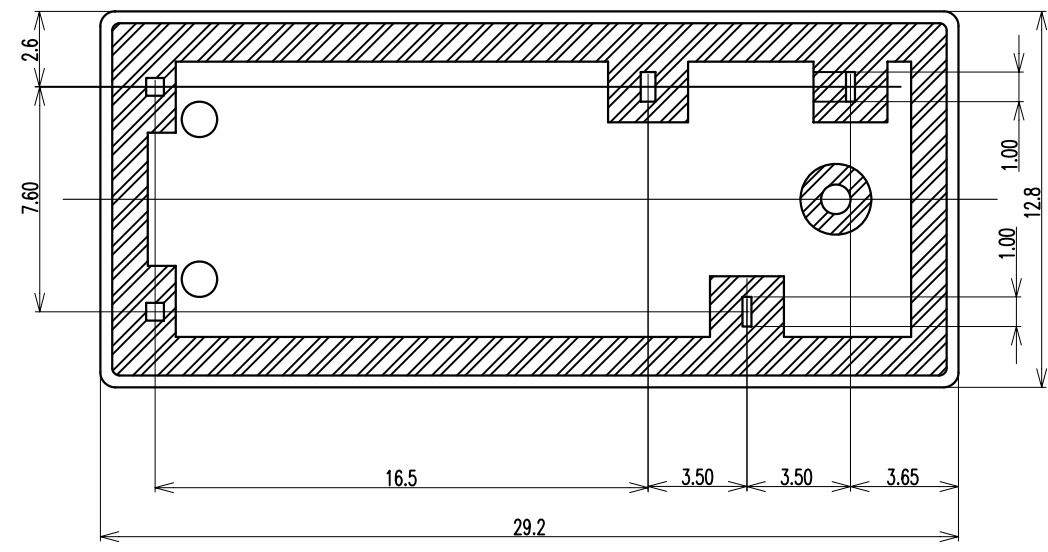
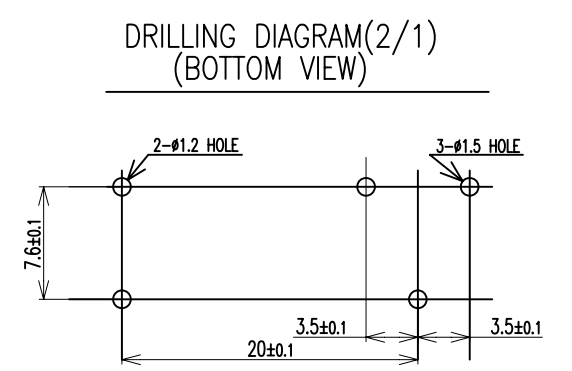
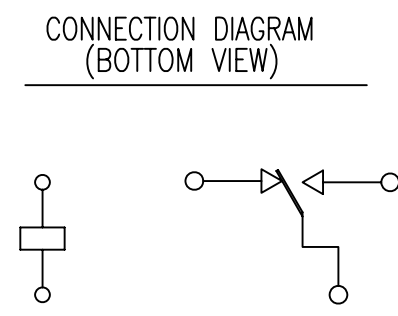
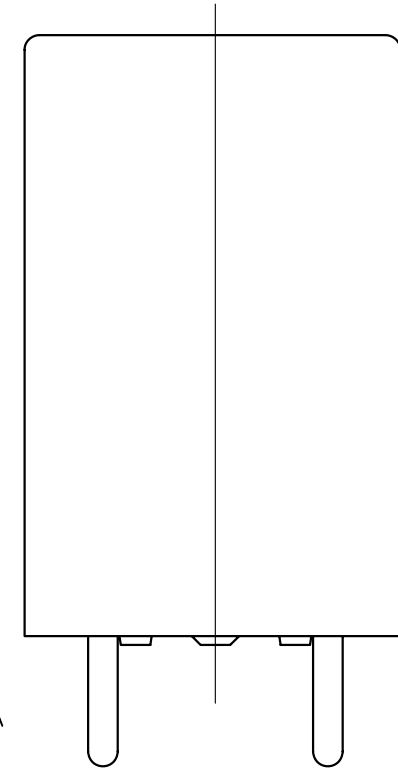
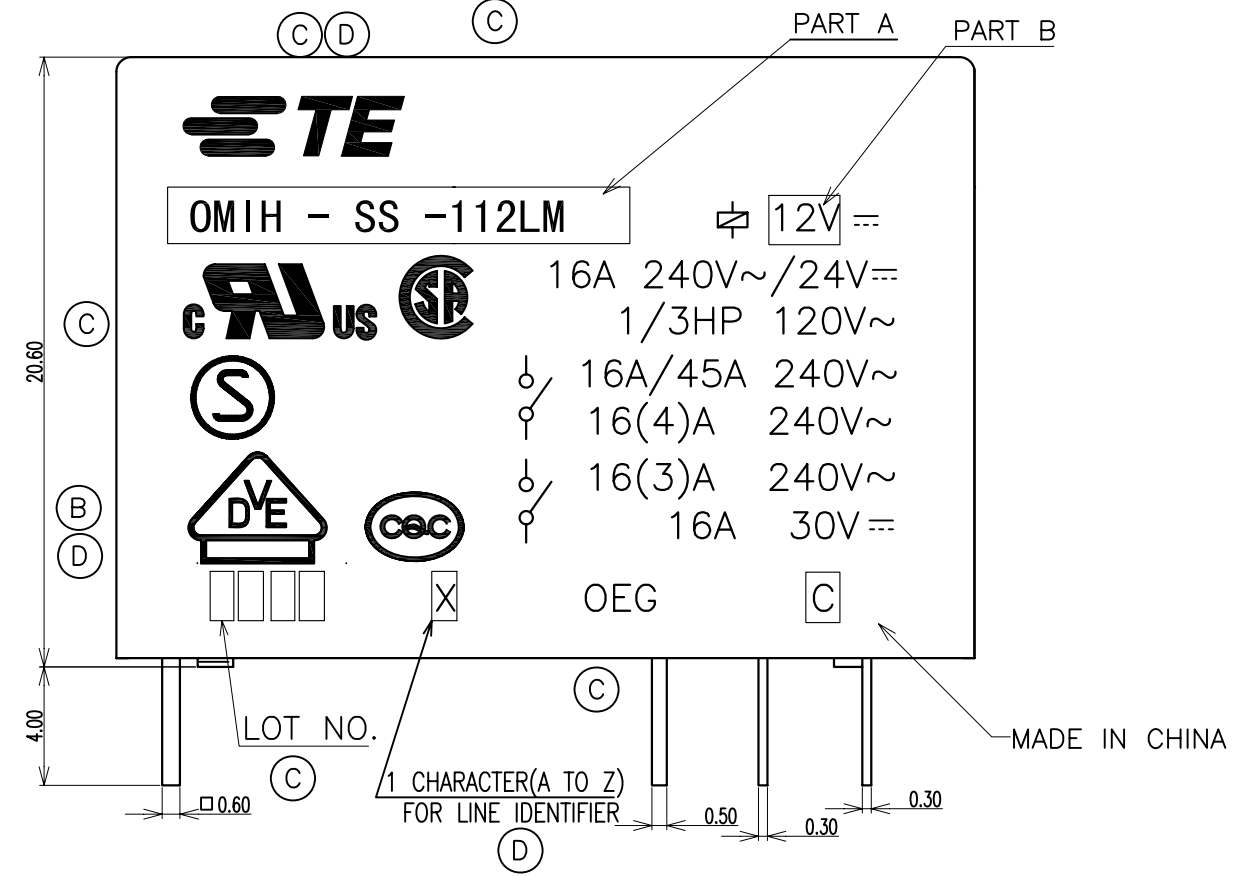
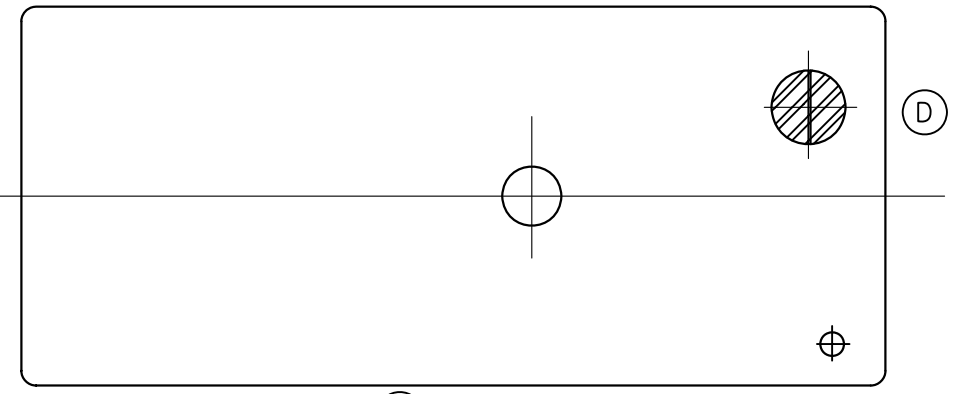
3

2

1

THIS DRAWING IS UNPUBLISHED. RELEASED FOR PUBLICATION
 © COPYRIGHT - By - ALL RIGHTS RESERVED.

LOC	DIST	REVISIONS					
		P	LTR	DESCRIPTION	DATE	DWN	APVD
HB	-	D		CHANGE LOGO, VENT; ADD CQC, LINE IDENTIFIER, PLATING THICKNESS ECO-12-005725	21-AUG-12	D.L	BH.Y



THIS DRAWING IS A CONTROLLED DOCUMENT.		DWN	-	
		CHK	Y.Xiao	
		APVD	N.Funayama	
		PRODUCT SPEC	CH.HSU	
		APPLICATION SPEC	-	
		WEIGHT	-	
		CUSTOMER DRAWING	-	
		SCALE	1:1	
		SHEET	1 of 2	
		REV	D	

SIZE	CAGE CODE	DRAWING NO	RESTRICTED TO
A3	00779	C-6-1440000-9	-

THIS DRAWING IS UNPUBLISHED.

RELEASED FOR PUBLICATION

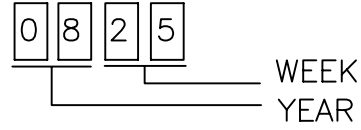
© COPYRIGHT - By -

ALL RIGHTS RESERVED.

LOC	DIST	REVISIONS			
P	LTR	DESCRIPTION	DATE	DWN	APVD
HB	-				

© NOTES:

- 1. TERMINAL DIMENSION IS NOT INCLUDING SOLDER TIP.
- 2. LOT NO. SYSTEM AS FOLLOWING:



- 3. GENERAL TOLERANCE AS FOLLOWING:

TOLERANCE	
0~0.99mm	±0.1
1mm~2.99mm	±0.2
3mm MIN.	±0.3

Ⓓ

- 4. FOR THE TIN-PLATING OF THE PINS:
+0.1mm FOR WIDTH, THICKNESS AND DIAMETER.
+0.5mm FOR LENGTH.

OMIH-SH-148L	7-1440000-7	OMIH-SH-148L	48V
OMIH-SH-148D	1-1461373-0	OMIH-SH-148D	48V
OMIH-SH-124L	1-1461373-4	OMIH-SH-124L	24V
OMIH-SH-124D	1461373-9	OMIH-SH-124D	24V
OMIH-SH-118L	7-1440000-2	OMIH-SH-118L	18V
OMIH-SH-118D	1461373-8	OMIH-SH-118D	18V
OMIH-SH-112L	7-1440000-0	OMIH-SH-112L	12V
OMIH-SH-112D	6-1440000-9	OMIH-SH-112D	12V
OMIH-SH-109L	1-1461373-3(B1)	OMIH-SH-109L	9V
OMIH-SH-109D	1461373-7	OMIH-SH-109D	9V
OMIH-SH-106L	1-1461373-2	OMIH-SH-106L	6V
OMIH-SH-106D	1461373-6	OMIH-SH-106D	6V
OMIH-SH-105L	1-1461373-1	OMIH-SH-105L	5V
OMIH-SH-105D	0-1461373-5(B1)	OMIH-SH-105D	5V
DESCRIPTION	TE PART NO	PART A	PART B

(B1) (C) RELAY TYPE (B1)

		UV RESIN	UV SEAL	17
		EPOXY RESIN	SEAL	16
UL94 V-0		PBT	CASE	15
CLASS E		UEW	MAGNETIC WIRE	14
UL94 V-0		PET	BASE	13
UL94 V-0		PBT	BOBBIN	12
	SOLDER DIP	CP WIRE	COIL TERMINAL	11
UL94 V-0		PPS	CARD	10
		Ag ALLOY	MOVABLE CONTACT	9
		Ag ALLOY	STATIONARY CONTACT	8
		Cu ALLOY	HINGE SPRING	7
	SOLDER DIP	Cu ALLOY	B TERMINAL	6
	SOLDER DIP	Cu ALLOY	M TERMINAL	5
	SOLDER DIP	Cu ALLOY	MOVABLE SPRING	4
		STEEL	CORE	3
		STEEL	ARMATURE	2
		STEEL	YOKE	1
INCOMBUSTIBILITY	TREATMENT	MATERIAL	DESCRIPTION	ITEM

THIS DRAWING IS A CONTROLLED DOCUMENT.		DWN Y.Xiao	TE Connectivity														
DIMENSIONS: mm		CHK N.Funayama															
TOLERANCES UNLESS OTHERWISE SPECIFIED:		APVD CH.HSU	NAME														
<table border="0"> <tr><td>0 PLC</td><td>± -</td></tr> <tr><td>1 PLC</td><td>± -</td></tr> <tr><td>2 PLC</td><td>± -</td></tr> <tr><td>3 PLC</td><td>± -</td></tr> <tr><td>4 PLC</td><td>± -</td></tr> <tr><td>ANGLES</td><td>± -</td></tr> </table>		0 PLC	± -	1 PLC	± -	2 PLC	± -	3 PLC	± -	4 PLC	± -	ANGLES	± -	PRODUCT SPEC	OMIH CUSTOMER DRAWING		
0 PLC	± -																
1 PLC	± -																
2 PLC	± -																
3 PLC	± -																
4 PLC	± -																
ANGLES	± -																
MATERIAL		APPLICATION SPEC	SIZE	CAGE CODE	DRAWING NO	RESTRICTED TO											
FINISH		WEIGHT	A3	00779	C=6-1440000-9	-											
CUSTOMER DRAWING			SCALE	SHEET	REV												
			1:1	2 of 2	D												