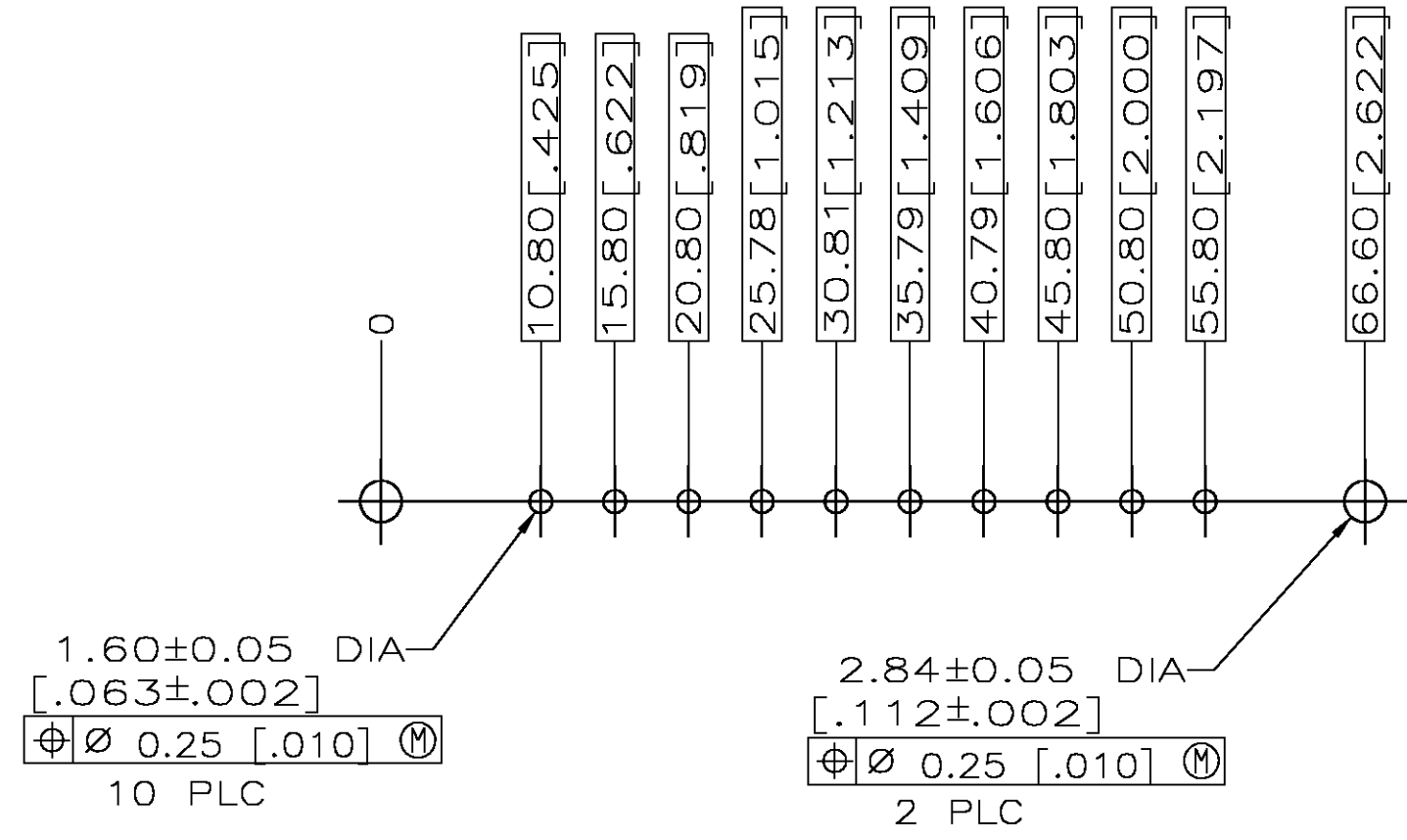
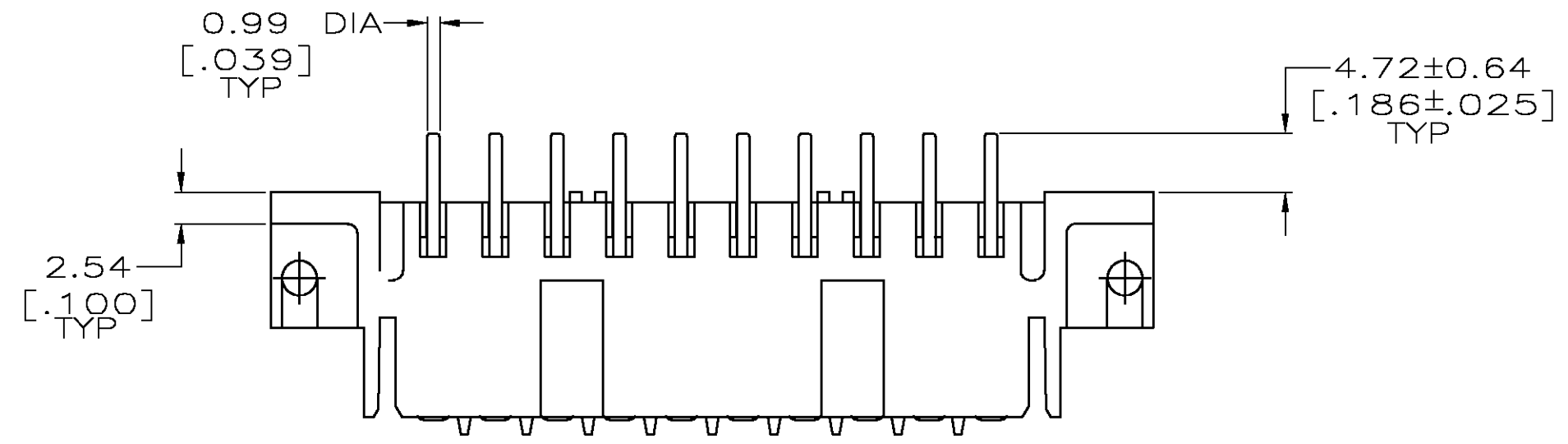
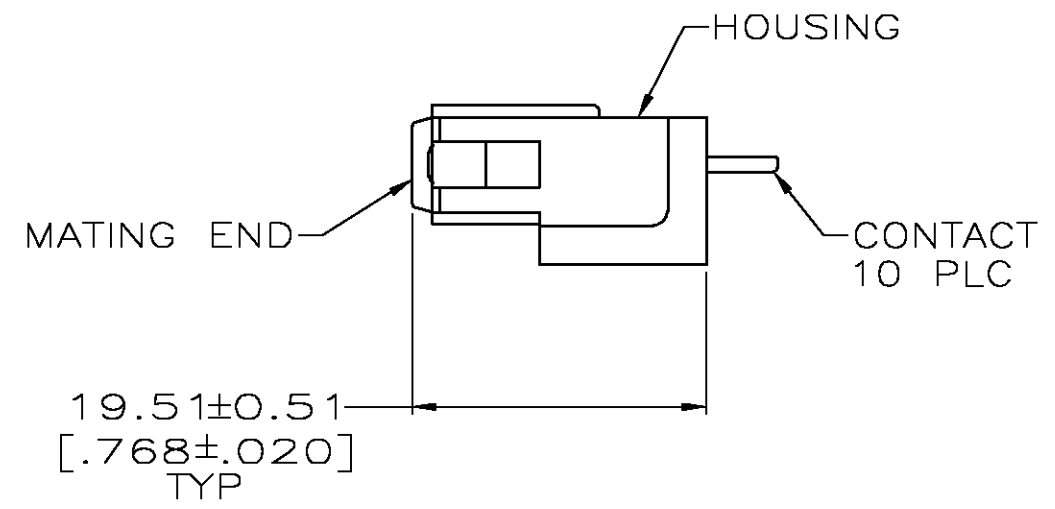
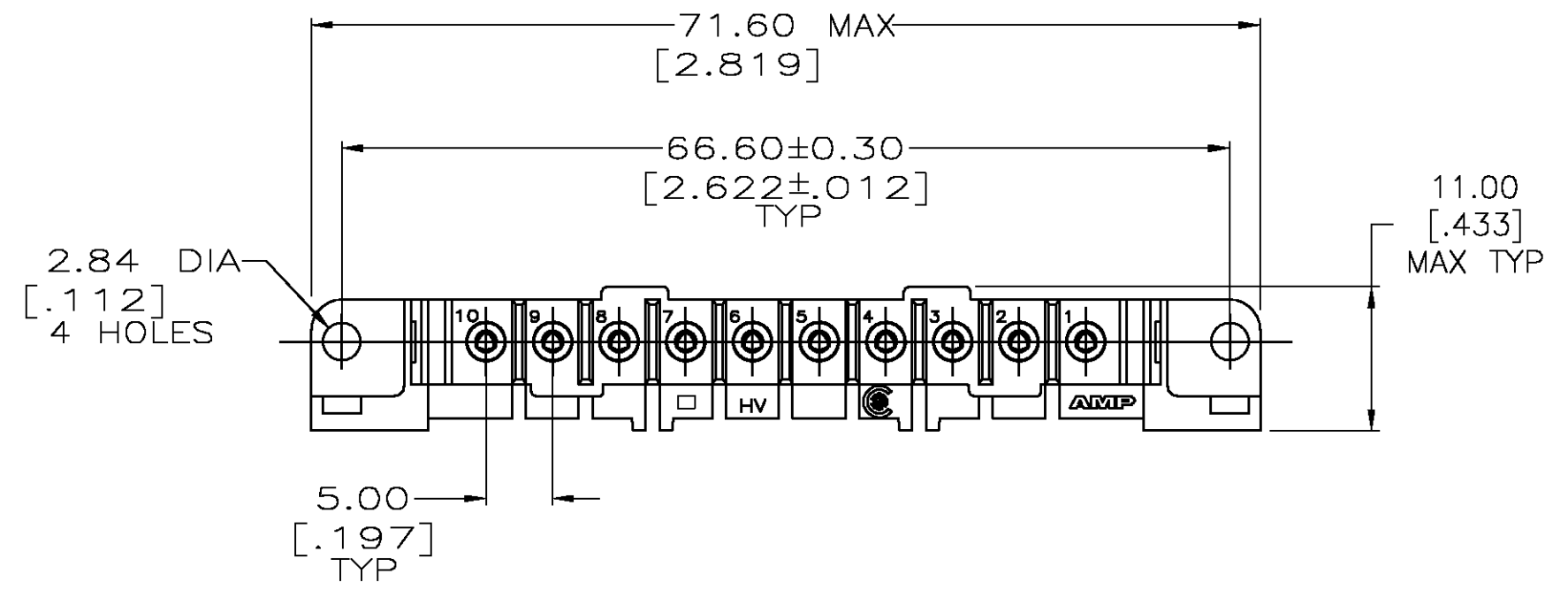


THIS DRAWING IS UNPUBLISHED. RELEASED FOR PUBLICATION
 © COPYRIGHT BY TYCO ELECTRONICS CORPORATION. ALL RIGHTS RESERVED.

LOC		DIST		REVISIONS			
P	LTR	DESCRIPTION	DATE	DWN	APVD		
FT	0	H	REVISED PER 0G3B-0179-05	4/21/05	SS	GS	



RECOMMENDED PC BOARD LAYOUT



- HOUSING MATERIAL: NYLON, RED.
- CONTACT MATERIAL: PHOSPHOR BRONZE.
- 3.81um [.000150] MIN TIN-LEAD OVER 1.27um [.000050] MIN NICKEL.
- 0.76um [.000030] MIN GOLD FOR A LENGTH OF 5.08 [.200] MIN FROM MATING END, 3.81um [.000150] MIN TIN-LEAD FOR A LENGTH OF 5.36 [.211] MIN FROM OPPOSITE END, BOTH OVER 1.27um [.000050] MIN NICKEL.
- 3.81um [.000150] MIN TIN OVER 1.27um [.000050] MIN NICKEL.
- 0.76um [.000030] MIN GOLD FOR A LENGTH OF 5.08 [.200] MIN FROM MATING END, 3.81um [.000150] MIN TIN FOR A LENGTH OF 5.36 [.211] MIN FROM OPPOSITE END, BOTH OVER 1.27um [.000050] MIN NICKEL.

CONTACT FINISH	PART NUMBER
6	207613-7
5	207613-6
4	207613-3
3	207613-1

THIS DRAWING IS A CONTROLLED DOCUMENT.

DWN	L.SIPE	08/07/92	Tyco Electronics Corporation Harrisburg, Pa 17105-3608
CHK	R.STONE	8-25-92	
APVD	-	-	
NAME	-		
DIMENSIONS: mm [INCHES]			PRODUCT SPEC
TOLERANCES UNLESS OTHERWISE SPECIFIED:			APPLICATION SPEC
0 PLC ± -			WEIGHT
1 PLC ± -			SCALE
2 PLC ± 0.25 [.010]			SIZE
3 PLC ± -			CAGE CODE
4 PLC ± -			DRAWING NO
ANGLES ± -			RESTRICTED TO
FINISH			SIZE
MATERIAL			CAGE CODE
-			DRAWING NO
-			RESTRICTED TO
-			SCALE
-			SIZE
-			CAGE CODE
-			DRAWING NO
-			RESTRICTED TO
-			SCALE
-			SIZE
-			CAGE CODE
-			DRAWING NO
-			RESTRICTED TO
-			SCALE
-			SIZE
-			CAGE CODE
-			DRAWING NO
-			RESTRICTED TO
-			SCALE
-			SIZE
-			CAGE CODE
-			DRAWING NO
-			RESTRICTED TO
-			SCALE
-			SIZE
-			CAGE CODE
-			DRAWING NO
-			RESTRICTED TO
-			SCALE
-			SIZE
-			CAGE CODE
-			DRAWING NO
-			RESTRICTED TO
-			SCALE
-			SIZE
-			CAGE CODE
-			DRAWING NO
-			RESTRICTED TO
-			SCALE
-			SIZE
-			CAGE CODE
-			DRAWING NO
-			RESTRICTED TO
-			SCALE
-			SIZE
-			CAGE CODE
-			DRAWING NO
-			RESTRICTED TO
-			SCALE
-			SIZE
-			CAGE CODE
-			DRAWING NO
-			RESTRICTED TO
-			SCALE
-			SIZE
-			CAGE CODE
-			DRAWING NO
-			RESTRICTED TO
-			SCALE
-			SIZE
-			CAGE CODE
-			DRAWING NO
-			RESTRICTED TO
-			SCALE
-			SIZE
-			CAGE CODE
-			DRAWING NO
-			RESTRICTED TO
-			SCALE
-			SIZE
-			CAGE CODE
-			DRAWING NO
-			RESTRICTED TO
-			SCALE
-			SIZE
-			CAGE CODE
-			DRAWING NO
-			RESTRICTED TO
-			SCALE
-			SIZE
-			CAGE CODE
-			DRAWING NO
-			RESTRICTED TO
-			SCALE
-			SIZE
-			CAGE CODE
-			DRAWING NO
-			RESTRICTED TO
-			SCALE
-			SIZE
-			CAGE CODE
-			DRAWING NO
-			RESTRICTED TO
-			SCALE
-			SIZE
-			CAGE CODE
-			DRAWING NO
-			RESTRICTED TO
-			SCALE
-			SIZE
-			CAGE CODE
-			DRAWING NO
-			RESTRICTED TO
-			SCALE
-			SIZE
-			CAGE CODE
-			DRAWING NO
-			RESTRICTED TO
-			SCALE
-			SIZE
-			CAGE CODE
-			DRAWING NO
-			RESTRICTED TO
-			SCALE
-			SIZE
-			CAGE CODE
-			DRAWING NO
-			RESTRICTED TO
-			SCALE
-			SIZE
-			CAGE CODE
-			DRAWING NO
-			RESTRICTED TO
-			SCALE
-			SIZE
-			CAGE CODE
-			DRAWING NO
-			RESTRICTED TO
-			SCALE
-			SIZE
-			CAGE CODE
-			DRAWING NO
-			RESTRICTED TO
-			SCALE
-			SIZE
-			CAGE CODE
-			DRAWING NO
-			RESTRICTED TO
-			SCALE
-			SIZE
-			CAGE CODE
-			DRAWING NO
-			RESTRICTED TO
-			SCALE
-			SIZE
-			CAGE CODE
-			DRAWING NO
-			RESTRICTED TO
-			SCALE
-			SIZE
-			CAGE CODE
-			DRAWING NO
-			RESTRICTED TO
-			SCALE
-			SIZE
-			CAGE CODE
-			DRAWING NO
-			RESTRICTED TO
-			SCALE
-			SIZE
-			CAGE CODE
-			DRAWING NO
-			RESTRICTED TO
-			SCALE
-			SIZE
-			CAGE CODE
-			DRAWING NO
-			RESTRICTED TO
-			SCALE
-			SIZE
-			CAGE CODE
-			DRAWING NO
-			RESTRICTED TO
-			SCALE
-			SIZE
-			CAGE CODE
-			DRAWING NO
-			RESTRICTED TO
-			SCALE
-			SIZE
-			CAGE CODE
-			DRAWING NO
-			RESTRICTED TO
-			SCALE
-			SIZE
-			CAGE CODE
-			DRAWING NO
-			RESTRICTED TO
-			SCALE
-			SIZE
-			CAGE CODE
-			DRAWING NO
-			RESTRICTED TO
-			SCALE
-			SIZE
-			CAGE CODE
-			DRAWING NO
-			RESTRICTED TO
-			SCALE
-			SIZE
-			CAGE CODE
-			DRAWING NO
-			RESTRICTED TO
-			SCALE
-			SIZE
-			CAGE CODE
-			DRAWING NO
-			RESTRICTED TO
-			SCALE
-			SIZE
-			CAGE CODE
-			DRAWING NO
-			RESTRICTED TO
-			SCALE
-			SIZE
-			CAGE CODE
-			DRAWING NO
-			RESTRICTED TO
-			SCALE
-			SIZE
-			CAGE CODE
-			DRAWING NO
-			RESTRICTED TO
-			SCALE
-			SIZE
-			CAGE CODE
-			DRAWING NO
-			RESTRICTED TO
-			SCALE
-			SIZE
-			CAGE CODE
-			DRAWING NO
-			RESTRICTED TO
-			SCALE
-			SIZE
-			CAGE CODE
-			DRAWING NO
-			RESTRICTED TO
-			SCALE
-			SIZE
-			CAGE CODE
-			DRAWING NO
-			RESTRICTED TO
-			SCALE
-			SIZE
-			CAGE CODE
-			DRAWING NO
-			RESTRICTED TO
-			SCALE
-			SIZE
-			CAGE CODE
-			DRAWING NO
-			RESTRICTED TO
-			SCALE
-			SIZE
-			CAGE CODE
-			DRAWING NO
-			RESTRICTED TO
-			SCALE
-			SIZE
-			CAGE CODE
-			DRAWING NO
-			RESTRICTED TO
-			SCALE
-			SIZE
-			CAGE CODE
-			DRAWING NO
-			RESTRICTED TO
-			SCALE
-			SIZE
-			CAGE CODE
-			DRAWING NO
-			RESTRICTED TO
-			SCALE
-			SIZE
-			CAGE CODE
-			DRAWING NO
-			RESTRICTED TO
-			SCALE
-			SIZE
-			CAGE CODE
-			DRAWING NO
-			RESTRICTED TO
-			SCALE
-			SIZE
-			CAGE CODE
-			DRAWING NO
-			RESTRICTED TO
-			SCALE
-			SIZE
-			CAGE CODE
-			DRAWING NO
-			RESTRICTED TO
-			SCALE
-			SIZE
-			CAGE CODE
-			DRAWING NO
-			RESTRICTED TO
-			SCALE
-			SIZE
-			CAGE CODE
-			DRAWING NO
-			RESTRICTED TO
-			SCALE
-			SIZE
-			CAGE CODE
-			DRAWING NO
-			RESTRICTED TO
-			SCALE
-			SIZE
-			CAGE CODE
-			DRAWING NO
-			RESTRICTED TO
-			SCALE
-			SIZE
-			CAGE CODE
-			DRAWING NO
-			RESTRICTED TO
-			SCALE
-			SIZE
-			CAGE CODE
-			DRAWING NO
-			RESTRICTED TO
-			SCALE
-			SIZE
-			CAGE CODE
-			DRAWING NO
-			RESTRICTED TO
-			SCALE
-			SIZE
-			CAGE CODE
-			DRAWING NO
-			RESTRICTED TO
-			SCALE
-			SIZE
-			CAGE CODE
-			DRAWING NO
-			RESTRICTED TO
-			SCALE
-			SIZE
-			CAGE CODE
-			DRAWING NO
-			RESTRICTED TO
-			SCALE
-			SIZE
-			CAGE CODE
-			DRAWING NO
-			RESTRICTED TO
-			SCALE
-			SIZE
-			CAGE CODE
-			DRAWING NO
-			RESTRICTED TO
-			SCALE
-			SIZE
-			CAGE CODE
-			DRAWING NO
-			RESTRICTED TO
-			SCALE
-			SIZE
-			CAGE CODE
-			DRAWING NO
-			RESTRICTED TO
-			SCALE
-			SIZE
-			CAGE CODE
-			DRAWING NO
-			RESTRICTED TO
-			SCALE
-			SIZE
-			CAGE CODE
-			DRAWING NO
-			RESTRICTED TO
-			SCALE
-			SIZE
-			CAGE CODE
-			DRAWING NO
-			RESTRICTED TO
-			SCALE
-			SIZE
-			CAGE CODE
-			DRAWING NO
-			RESTRICTED TO
-			SCALE
-			SIZE
-			CAGE CODE
-			DRAWING NO
-			RESTRICTED TO
-			SCALE
-			SIZE
-			CAGE CODE
-			DRAWING NO
-			RESTRICTED TO
-			SCALE
-			SIZE
-			CAGE CODE
-			DRAWING NO
-			RESTRICTED TO
-			SCALE
-			SIZE
-			CAGE CODE
-			DRAWING NO
-			RESTRICTED TO
-			SCALE
-			SIZE
-			CAGE CODE
-			DRAWING NO
-			RESTRICTED TO
-			SCALE
-			SIZE
-			CAGE CODE
-			DRAWING NO
-			RESTRICTED TO
-			SCALE
-			SIZE
-			CAGE CODE
-			DRAWING NO
-			RESTRICTED TO
-			SCALE
-			SIZE
-			CAGE CODE
-			DRAWING NO
-			RESTRICTED TO
-			SCALE
-			SIZE
-			CAGE CODE
-			DRAWING