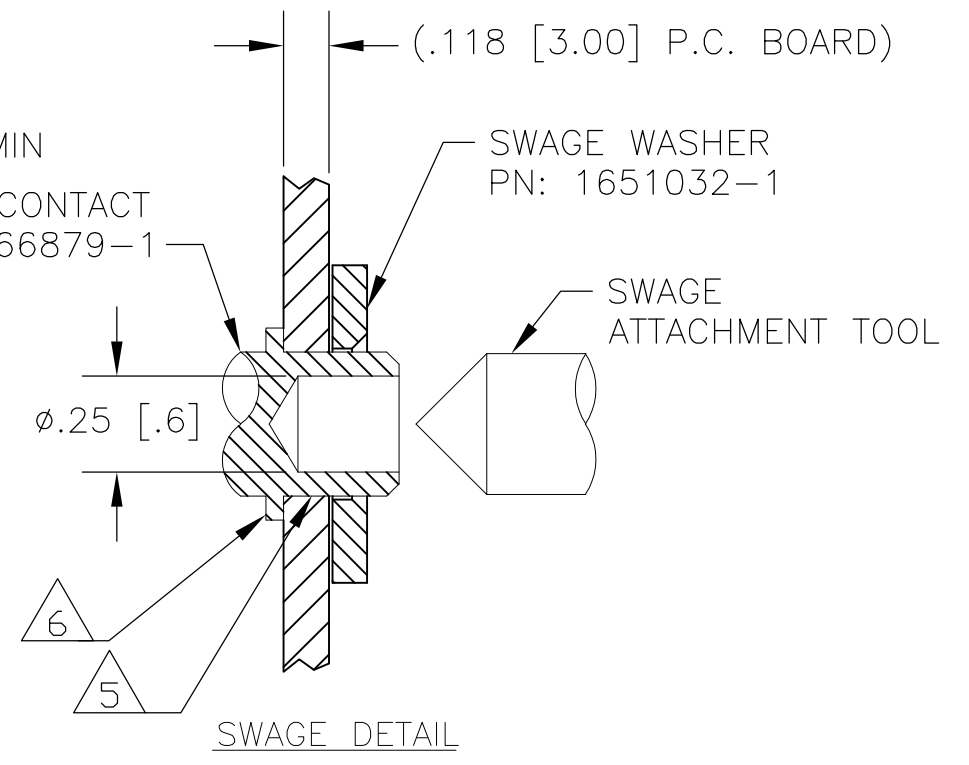
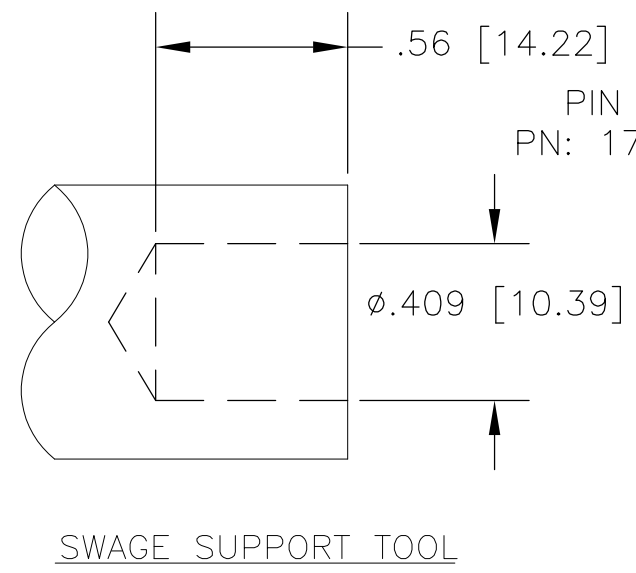
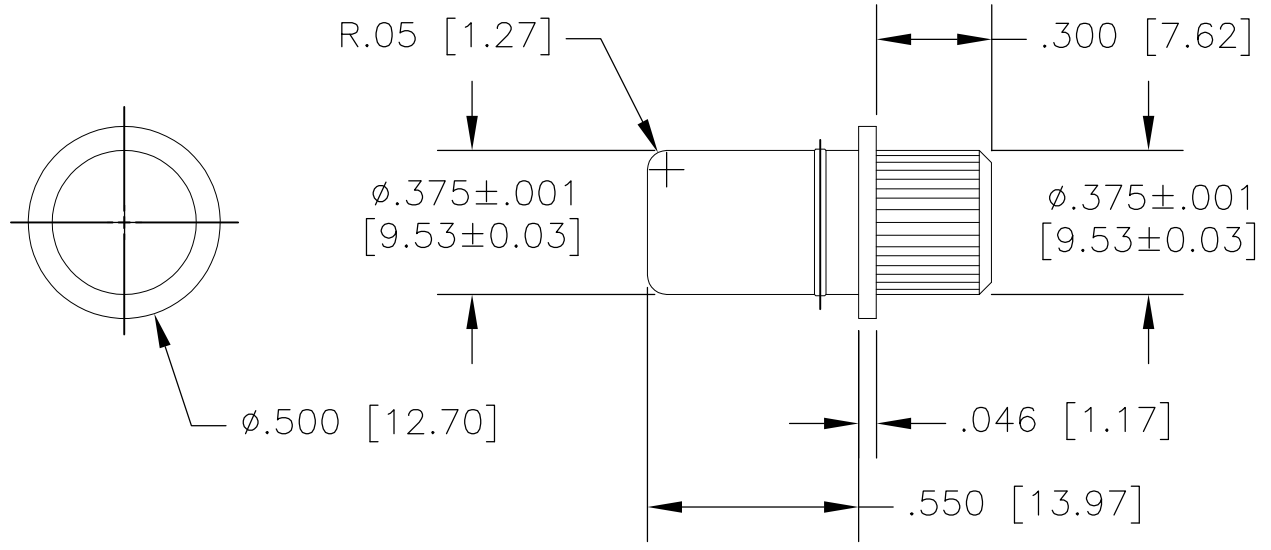


THIS DRAWING IS UNPUBLISHED. RELEASED FOR PUBLICATION
 © COPYRIGHT - By - ALL RIGHTS RESERVED.

REVISIONS					
P	LTR	DESCRIPTION	DATE	DWN	APVD
	A1	RELEASED	04MAY06	RG	SF
	A1	REV PER ECR-16-004335	23MAR16	WY	SZ



- PART NUMBER CHANGES AND/OR DESIGN CHANGES AFFECTING ITEM INTERCHANGEABILITY REQUIRE PRIOR TYCO APPROVAL AND AUTHORIZATION BY REVISION TO THIS DRAWING.
- ITEMS PROVIDED TO THIS SPECIFICATION SHALL BE IDENTIFIED ON THE CONTAINER WITH THE FOLLOWING INFORMATION: PART NUMBER & DATE CODE OF MANUFACTURE.

3 MATERIAL - PIN CONTACT: COPPER ALLOY
 SWAGE WASHER: STEEL.

4 FINISH - PIN CONTACT: SILVER PLATED .0002 MIN THK.
 OVER NICKEL .00004 MIN THK.
 SWAGE WASHER: NICKEL PLATED

5 RECOMMENDED HOLE DIAMETER AFTER PLATING:
 $\phi.370+.003/-.001$ [$\phi9.35+.08/- .03$].

6 RETAIN PIN CONTACT WITH SUPPORT TOOL BEFORE SWAGE OPERATION.

AS SHOWN	6648223-1
DESCRIPTION	PART NUMBER

THIS DRAWING IS A CONTROLLED DOCUMENT.		DWN R.GRZYBOWSKI 04MAY2006	STE TE Connectivity	
DIMENSIONS: INCHES		CHK S.FLICKINGER 04MAY06		
TOLERANCES UNLESS OTHERWISE SPECIFIED:		APVD S.FLICKINGER 04MAY06	NAME PIN CONTACT, SIZE NO.2, SWAGE MOUNT	
0 PLC ± -		PRODUCT SPEC -	LOCKING STYLE PRESS FIT	
1 PLC ± -		APPLICATION SPEC -	SIZE A3	
2 PLC ± .02 [.5]		WEIGHT 0.05	CAGE CODE 00779	DRAWING NO C-6648223
3 PLC ± .010 [.25]		RESTRICTED TO -		
4 PLC ± -		SCALE 2:1		
ANGLES ± .5		SHEET 1 OF 1		
MATERIAL 3	FINISH 4	REV A1		
ELCON CONTACTS		CUSTOMER DRAWING		