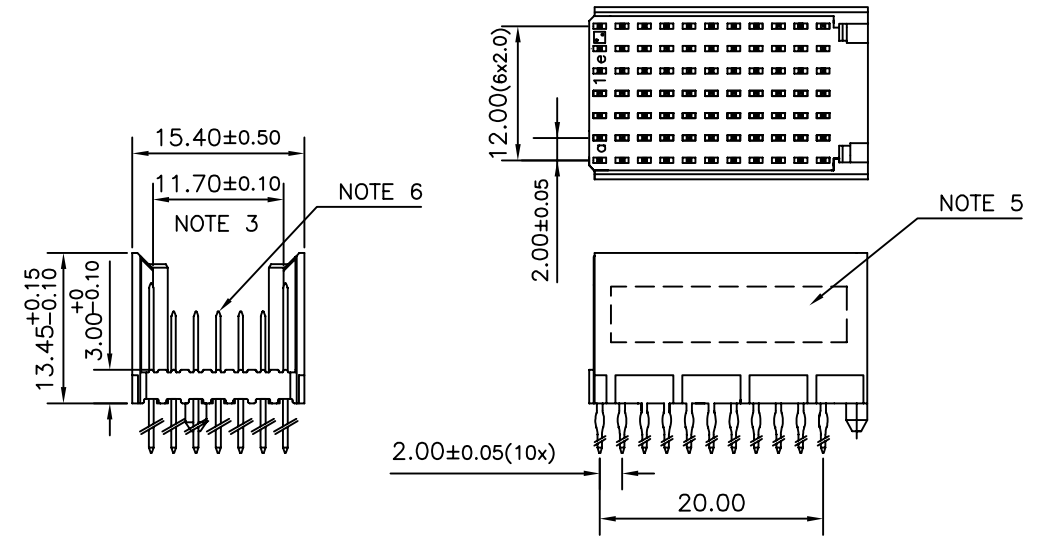


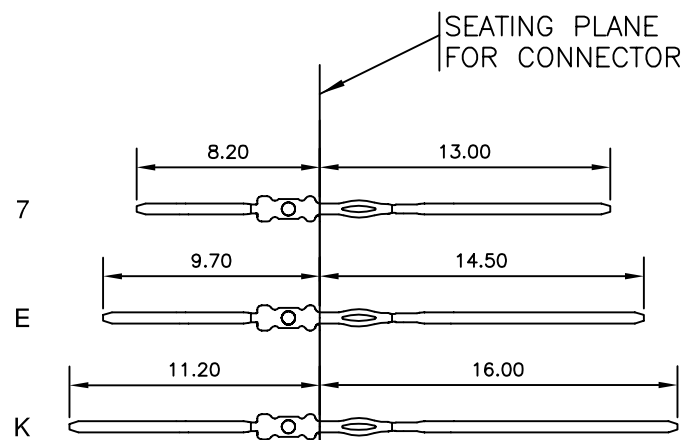
LOADING PATTERN MATING SIDE

f	K	K	K	K	K	K	K	K	K	K
e	K	7	7	7	7	7	7	7	7	K
d	E	7	7	7	7	7	7	7	7	E
c	E	7	7	7	7	7	7	7	7	E
b	E	7	7	7	7	7	7	7	7	E
a	K	7	7	7	7	7	7	7	7	K
z	K	K	K	K	K	K	K	K	K	K
P	0									
S	1	5								0

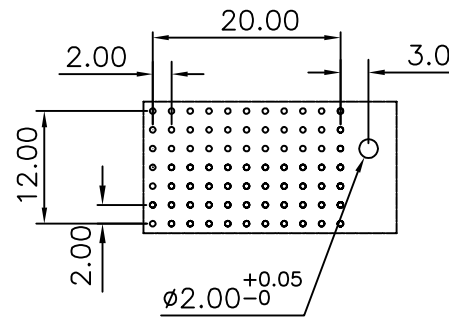
LOADED CONNECTOR ASSEMBLY  
(FOR EXAMPLE)



CONTACT OVERVIEW



LAY-OUT P.C.B.-HOLE



LEAD FREE INDICATOR : LF = LEAD FREE  
(DIGIT 15 & 16)

HM2P09PNT114

PLATING CODE (DIGIT 13 AND 14)  
(REF DRW NO. BS,C , 201844 , 003)

NOTES

- THIS PRODUCT IS CSA APPROVED.
- THIS PRODUCT IS UL RECOGNIZED.
- MEASURED AT THE BOTTOM.
- MATERIAL CONTACT: PHOSPHORBRONZE  
HOUSING: CREAM WHITE GLASS FILLED POLYESTER UL-94V0
- CONNECTOR PRINTED WITH P/N AND DATE CODE.
- FOR ACTUAL CONTACT LOADINGS, SEE LOADING PATTERN MATING SIDE.
- SHAPE OF CONNECTOR HOUSING CAN ALTER DEPENDING ON PRODUCTION LOCATION
- THE PRODUCT (LF) MEETS EUROPEAN UNION DIRECTIVES AND OTHER COUNTRY REGULATIONS AS DESCRIBED IN GS-22-008
- FOR RECOMMENDED PTH DIMENSIONS REFER DRAWING : BS, A , 201572 , 001

CATALOG NO: HM2P09PNT114----

mat'l. code SEE NOTE 4		surface ISO 1302 ✓	tolerance ISO 406 ISO 1101	projection MM	product family MILLIPACS
ltr	ecn no	dr	date	title MPACS 5+2R STR HDR PF CONN TYPE C	
A	105-0076	MINI	2005-05-21	scale —	dwg no sheet 1 of 1 size A3
B	105-0222	MINI	2005-11-08		
C	106-0099	MINI	2006-07-12		
		angles	linear	type Product Customer Drawing	
		0°±1°			
		dr	MINI K VANDANATH 2005-05-21		
		enr	BIJU K PAUL 2005-05-21		
		chr	BIJU K PAUL 2006-07-12		
		appd	BIJU K PAUL 2006-07-12		
sheet index	revision sheet	c	1		