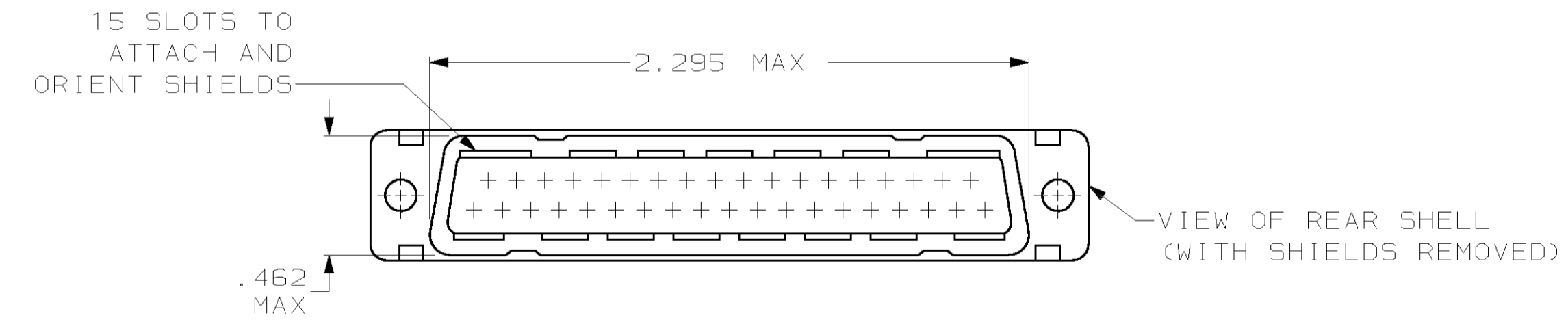
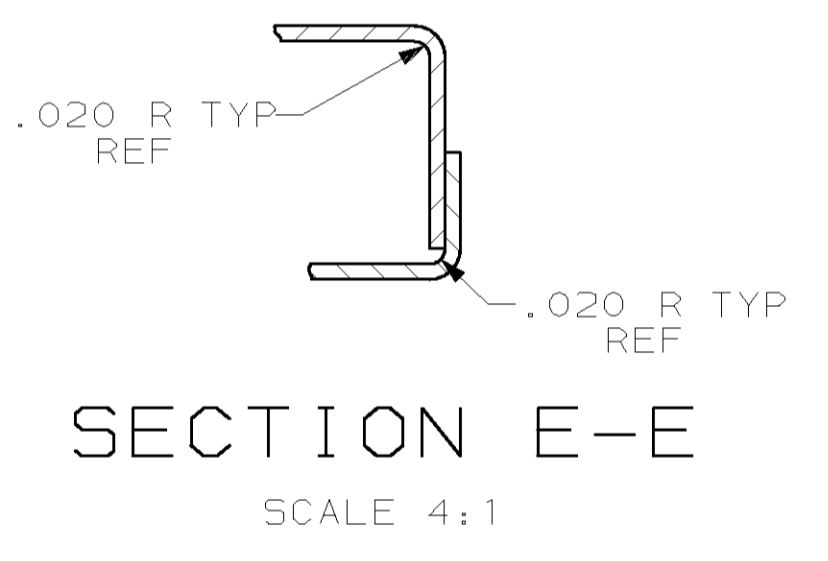
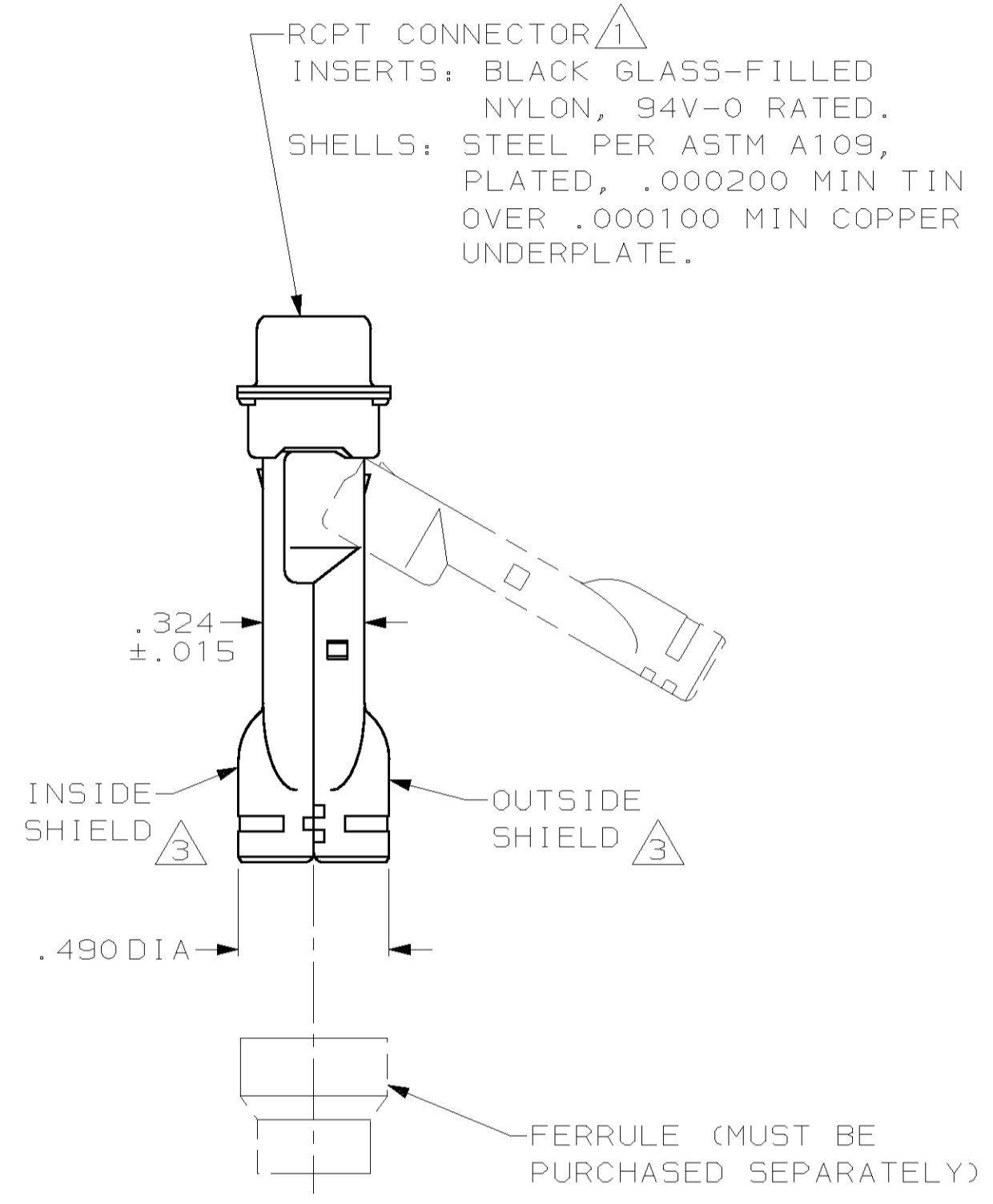
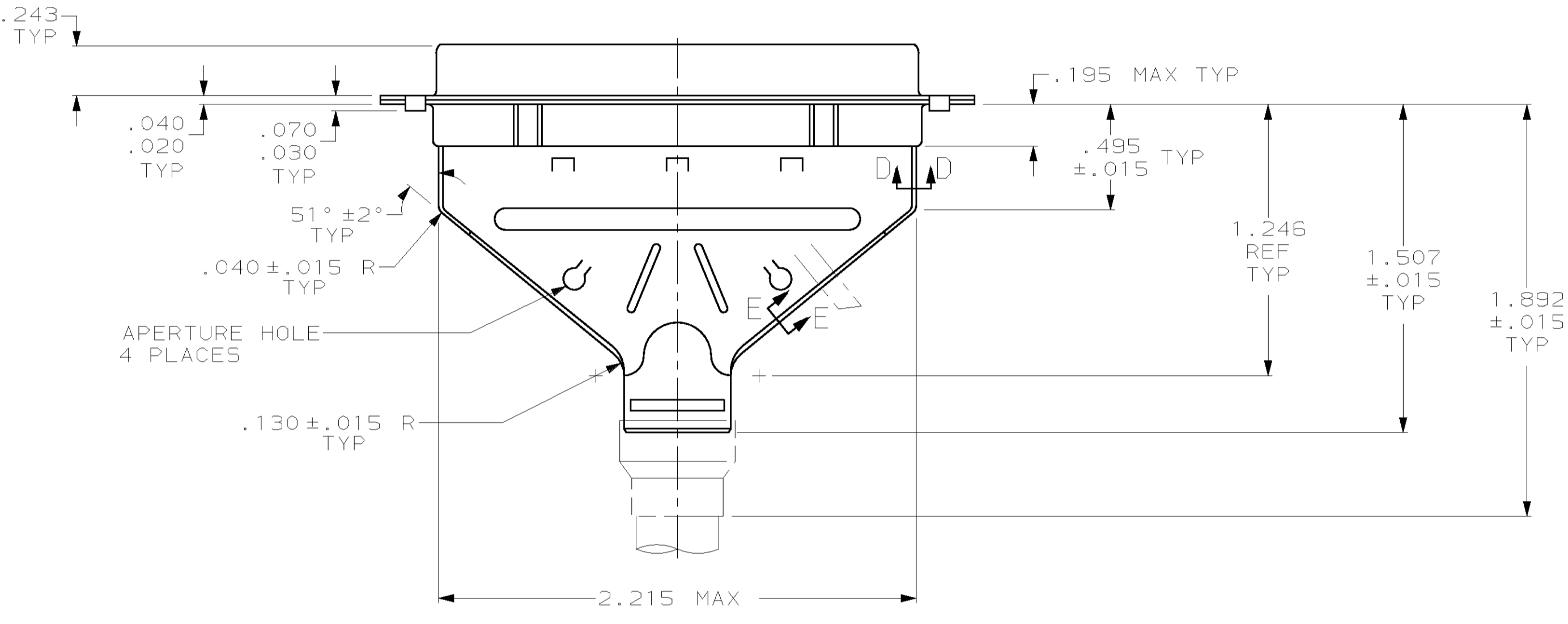
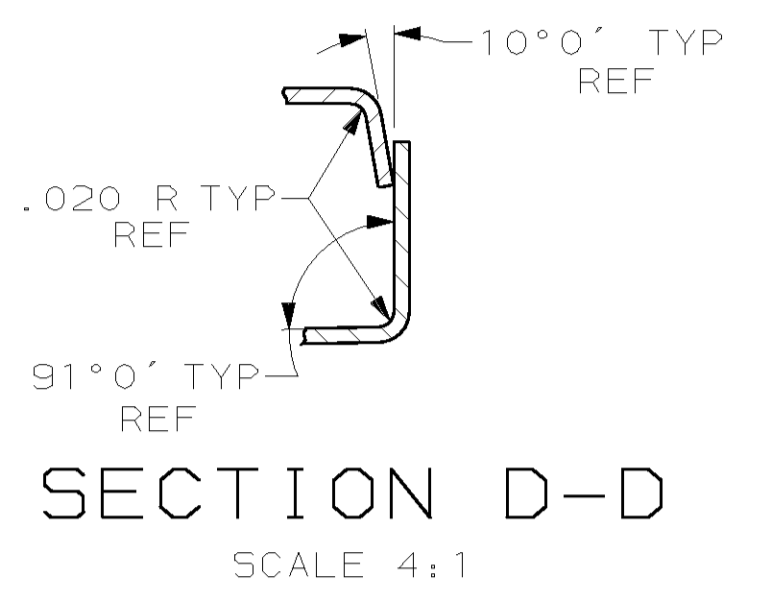
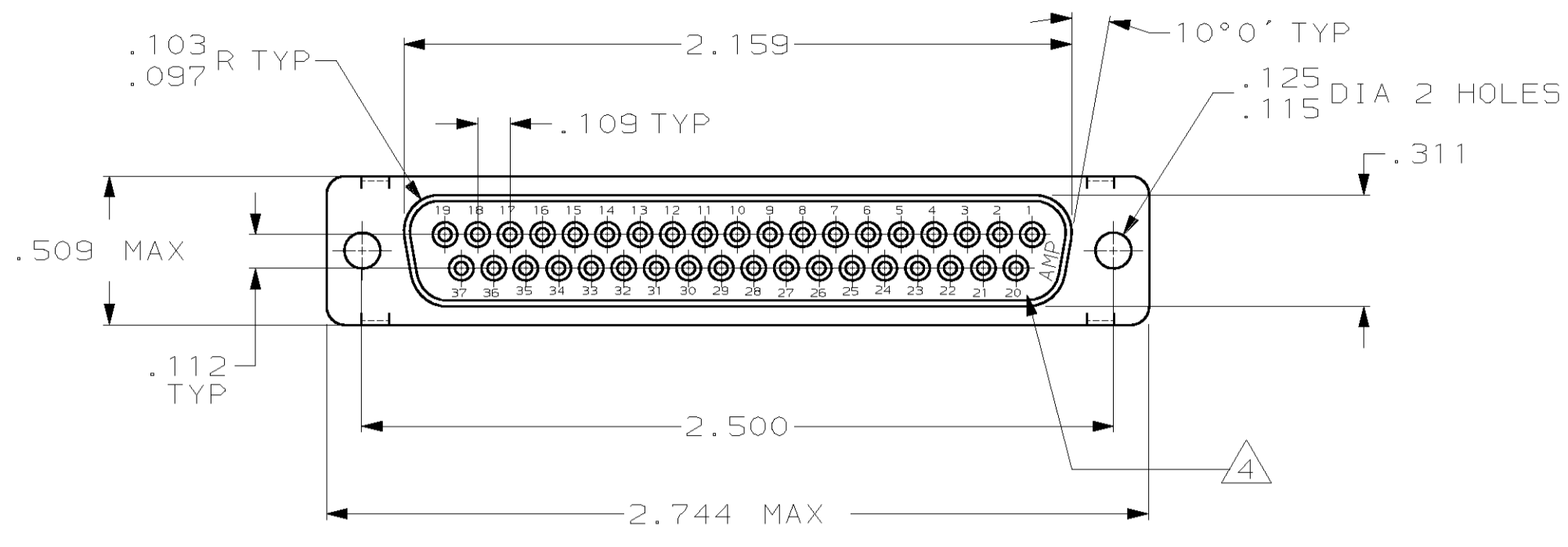


LOC	DIST	REV	DESCRIPTION	DATE	DWN	APPR
GP	00	0	RELEASED PER EC 0513-0196-03	31JUL03	JR	JG



- 1 RCPT ACCEPTS SIZE 20 SOCKET CONTACTS (CONTACTS MUST BE ORDERED SEPARATELY).
- 2. ALL PARTS SHIPPED UNASSEMBLED, EACH PART INDIVIDUALLY BULK PACKED.
- 3 SHIELDS: MATERIAL-.020 THICK STEEL, PER ASTM A109, PLATED .000200 MIN TIN OVER .000100 MIN COPPER UNDERPLATE.
- 4 RAISED CAVITY IDENTIFICATION AND AMP TRADEMARK.

1658651-1
PART NUMBER

THIS DRAWING IS A CONTROLLED DOCUMENT.		DWN J. REITZEL 31JUL03	AMP Incorporated Harrisburg, PA 17105-3608	
DIMENSIONS: INCH		CHK S. BOJASH 31JUL03	NAME M. WALMSLEY 31JUL03	RESTRICTED TO
TOLERANCES UNLESS OTHERWISE SPECIFIED:		PRODUCT SPEC KIT, RCPT, SHIELDING HARDWARE, SIZE 4, 37 POSN, AMPLIMITE™ HDP-20		
0 PLC ±-		APPLICATION SPEC 108-40030		
1 PLC ±-		SIZE 114-40030		
2 PLC ±.005		SCALE 2:1		
3 PLC ±.005		DRAWING NO A100779		
4 PLC ±-		CAGE CODE 1658651		
ANGLES 40° 30'		SHEET 1 OF 1		
MATERIAL SEE CALL OUT	FINISH SEE CALL OUT	WEIGHT -		REV 0
CUSTOMER DRAWING				