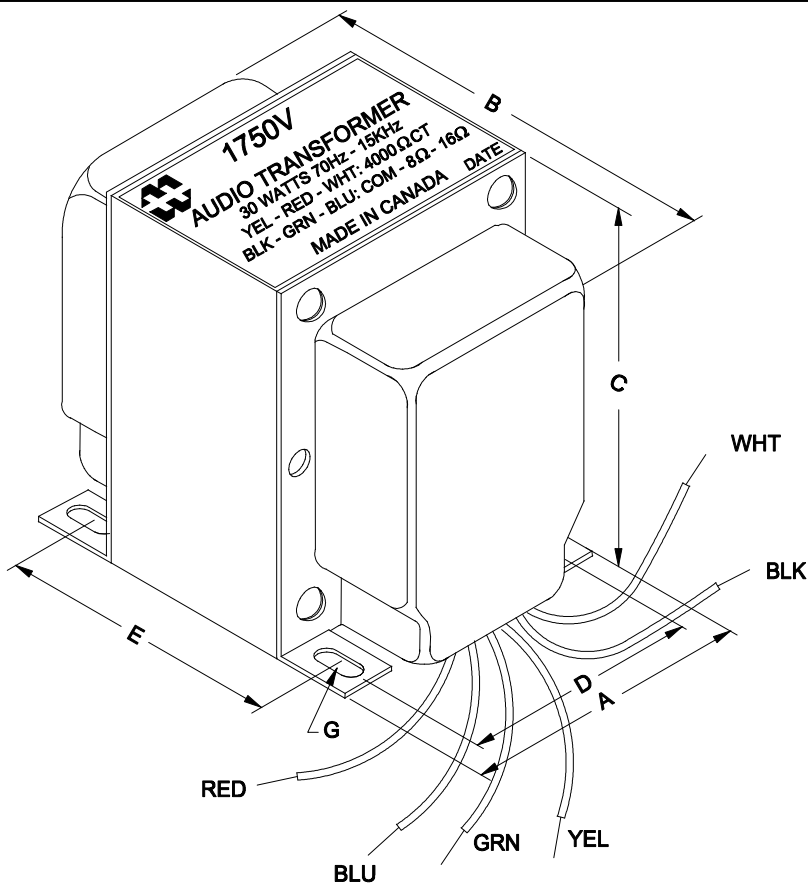
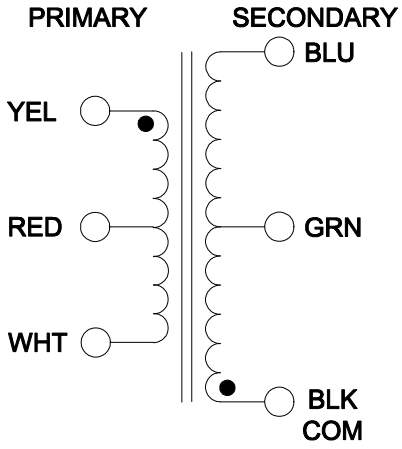


1750V



DIMENSIONS:	
A	3.125" ±0.063
B	3.325" ±0.125
C	3.780" ±0.063
D	2.500" ±0.063
E	2.438" ±0.063
G	0.188" x 0.406" ±0.015

NOTE: ALL LEADS 12.0" OUT MIN., STRIPPED .5"



ELECTRICAL DATA:	
Turns ratio:	15.93 : 1
Inductance	@240V, 70Hz =>90.95H (Open circuit)
DCR	@ 20C, YEL - WHT =138.0 Ω ±20%
	@ 20C, BLK - BLU =0.720 Ω ±20%
FREQ. RESP	@ 30W (346.0V), 70Hz - 15kHz, YEL-WHT ±1db (1kHz Ref.)
Pri. Impedance	4000Ω CT (346.4VCT)
Sec. Impedance	8Ω / 16Ω (15.49V / 21.9V)
Power	30 WATTS

**HAMMOND
MANUFACTURING**

52 RANKIN PLACE,
WATERLOO, ONTARIO, N2L 3Z5.
PHONE (519) 886-6181
FAX # (519) 886-9540

TITLE				1750V
AUDIO OUTPUT TRANSFORMER				
NO	DATE	REVISION	DIM IN(X)MM()	
0	05/11/08	PRELIMINARY.	DR BY IOAN POP DATE 05/11/09	
			I.P.	