

NOTES:

1. MATERIALS AND FINISHES:

BODY - BRASS, TIN PLATING  
 CONTACT - PHOSPHOR BRONZE, GOLD PLATING  
 INSULATOR - PTFE, NATURAL

2. ELECTRICAL:

A. IMPEDANCE: 75 OHM  
 B. FREQUENCY RANGE: DC-12.0 GHz  
 C. VSWR (RETURN LOSS): 1.22 (20dB)  
 D. D.W.V: 1500 VRMS, MIN.

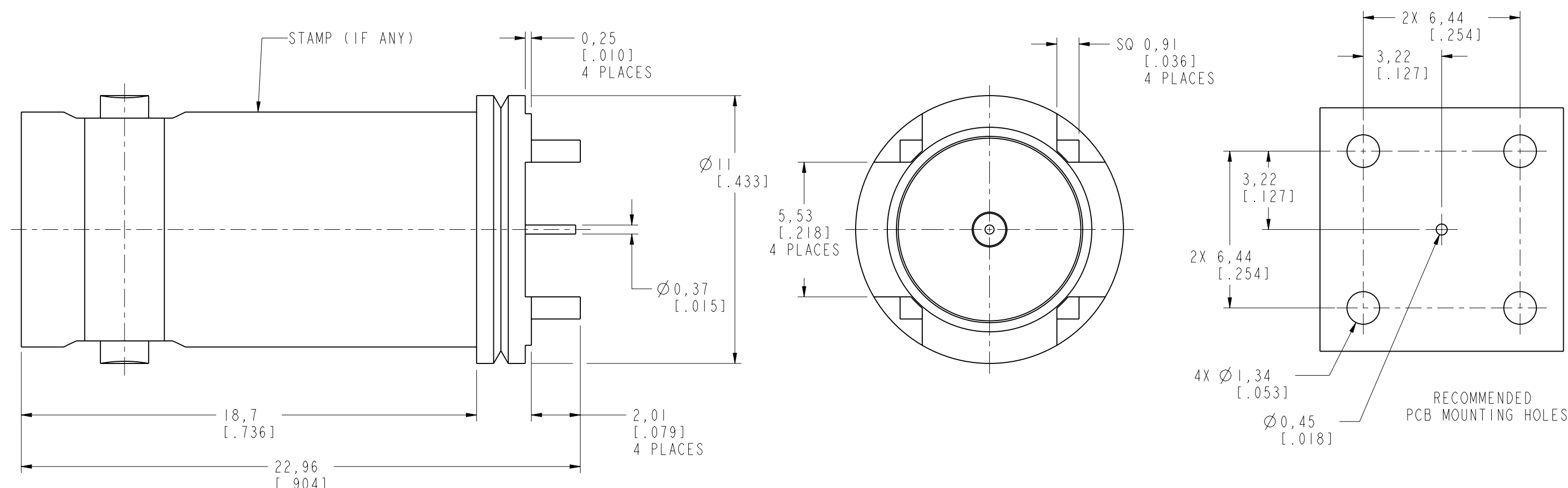
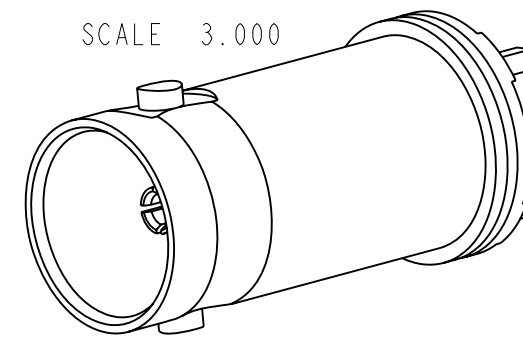
3. MECHANICAL:

A. DURABILITY: 500 CYCLES MIN.  
 B. TEMPERATURE RANGE: -65°C TO +165°C

THIRD ANGLE PROJ.

REVISIONS

REV	DESCRIPTION	DATE	ECO	APPR
A	RELEASE TO MFG.	19-Apr-17	3463	RM



**CUSTOMER OUTLINE DRAWING**  
 ALL OTHER SHEETS ARE FOR INTERNAL USE ONLY

UNLESS OTHERWISE SPECIFIED, DIMENSIONS ARE IN METRIC AND TOLERANCES ARE:  
 <0.5mm ±0.05mm    0.5 - 6mm ±0.1mm    6 - 30mm ±0.2mm    30 - 120mm ±0.3mm    ANGLES ±1°

NOTICE - These drawings, specifications, or other data (1) are, and remain the property of Amphenol corp. (2) must be returned upon request; and (3) are confidential and not to be disclosed to any person other than those to whom they are given by Amphenol Corp. the furnishing of these drawings, specifications, or other data by Amphenol Corp., or to any other person to anyone for any purpose is not to be regarded by implication or otherwise in any manner licensing, granting rights to permitting such holder or any other person to manufacture, use or sell any product, process or design, patented or otherwise, that may in any way be related to or disclosed by said drawings, specifications, or other data.

MATERIAL	-	DRAWN	B. GREENBAUM	DATE	05-Apr-17
REFERENCE	EAR# 7475	ENGINEER	B. GREENBAUM	DATE	05-Apr-17
EXP#	--	APPROVED	S. HSIEH	DATE	19-Apr-17
CONFIGURATION LEVEL:	In Work	CAD FILE			
FINISH					

TITLE		75 OHM BNC P.C.MOUNT RECEPT. JACK	
SCALE:	6.0:1.0	SHEET	2 OF 2
DWG SIZE	B	REV	A

Amphenol RF	
www.amphenolrf.com	
DRAWING NO.	31-70536-12G
ITEM NO.	31-70536-12G
PART NO.	31-70536-12G