

PART NAME: KNOB      SCALE: 1:1      DATE: 3/11/58      DR. BY LSP

THIS DRAWING IS THE PROPERTY OF DAVIES MOLDING COMPANY, IS SUBMITTED SOLELY AS A DESIGN OR ENGINEERING PROJECT. WE ACCEPT NO RESPONSIBILITY WHATSOEVER FOR THE PRACTICAL APPLICATION OF THE PIECES MADE TO THIS DESIGN.

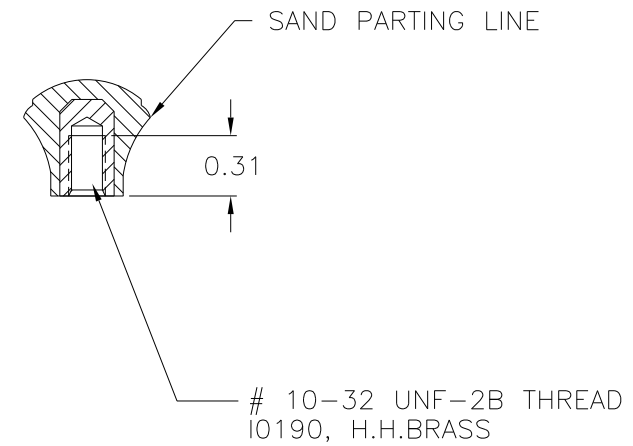
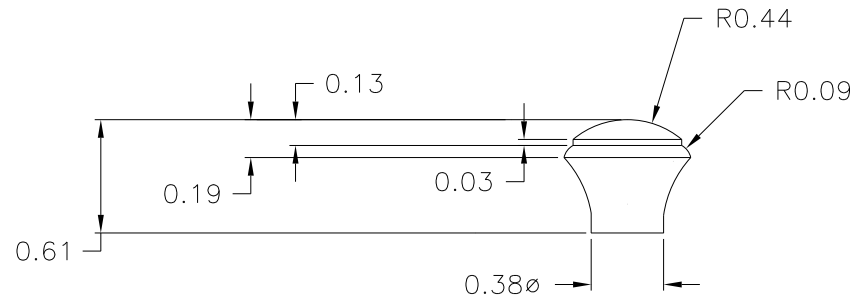


DESIGNERS & MANUFACTURERS OF KNOBS, HANDLES, CASES & CUSTOM PLASTIC COMPONENTS

P/N 3001SP

BASE PART 3001-02

Ⓐ  
Ⓒ



MATERIAL: G.P. PHENOLIC (B11)  
COLOR: BLACK

Ⓑ

TOLERANCES: UNLESS OTHERWISE SPECIFIED	DO NOT SCALE DRAWING	C	ADDED BASE PART	JAM	4/26/13
		B	CORRECTED MATERIAL	TS	6/17/02
DECIMALS: X.XXX ± .005 X.XX ± .015	MM: X.XX ± 0.15MM X.X ± 0.4MM	A	CORRECTED TOOLING BOX	TS	6/17/02
		-	CAD/REDRAWN	HD	9/25/97
FRACTIONS ± 1/64	ANG. ± 1°	CHANGES			