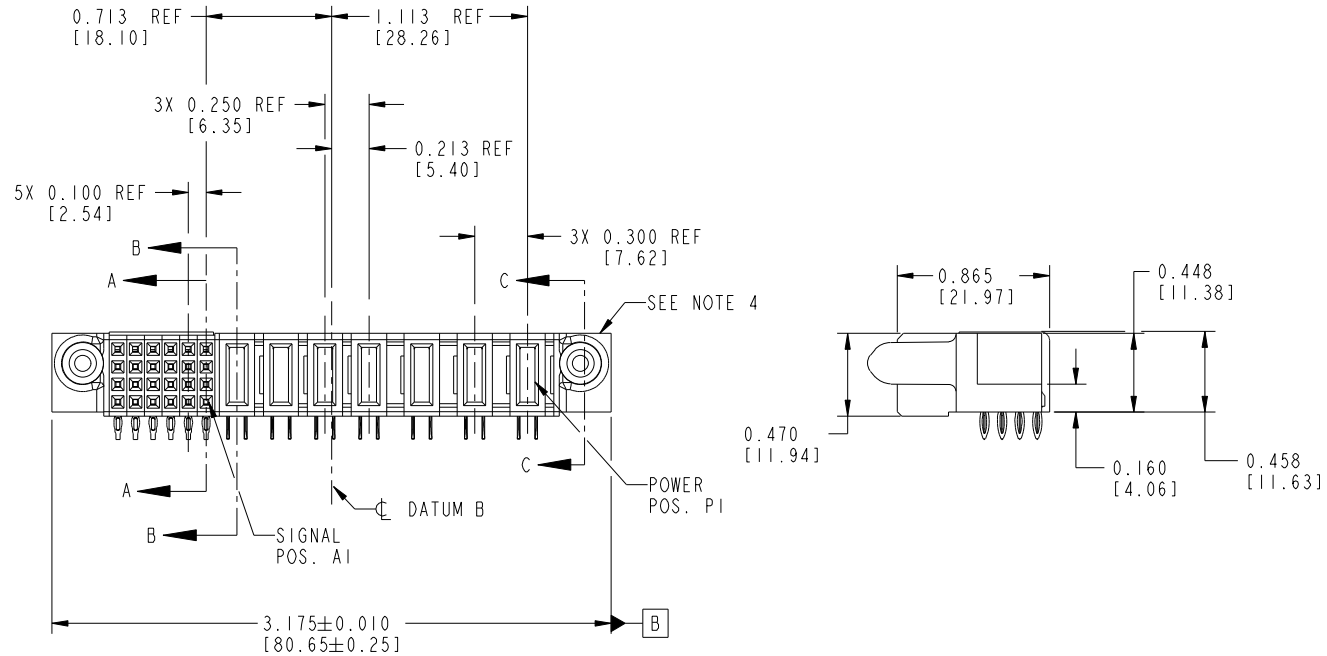


Tous droits strictement reserves. Reproduction ou communication a des tiers interdite sous quelque forme que ce soit sans autorisation écrite du propriétaire. Propriete de c FCI. Droits de reproduction FCI.



All rights strictly reserved. Reproduction or issue to third parties in any form whatever is not permitted without written authority from the proprietor. Property of FCI. Copyright FCI.

PRODUCT NO.	ROWS	SIGNAL					POWER						E1		
		E2	6	5	4	3	2	1	P7	P6	P5	P4		P3	P2
51866-046-- NOTE: 3	D C B A	S	S	S	S	S	P	P	P	P	P	P	P	P	S
		R	R	R	R	R	P	P	P	P	P	P	P	P	R
		N	N	N	N	N	P	P	P	P	P	P	P	P	N



CODE	DIM "M" MATING LENGTH	CONTACT TYPE
N	N/A [N/A]	SIGNAL
P	N/A [N/A]	SIGNAL
R	N/A [N/A]	SIGNAL
S	N/A [N/A]	SIGNAL
PE	0.042 [1.07]	POWER
PF	0.092 [2.34]	POWER

mat'l code SEE NOTE 2				tolerances unless otherwise specified		CUSTOMER		FCI	
ltr	ecn no.	dr	date	linear	.XX±.01/0.X±0.3	COPY		www.fciconnect.com	
A	DG09-0396	WL	12/18/09	angles	.XXX±.005/0.XX±0.13	projection		title 3ACP + 4P + 24S	
					.XXX±.0020/0.XXX±0.051	INCH/MM		R/A PRESS-FIT RECEPTACLE	
				dr	0°±2°	scale		product family PwrBlade code 213	
				enr	WL ZHANG 12/18/09	1:1		size dwg no 51866-046 sheet 1 of 4	
				chr	WARREN DU 12/18/09				
				appd	PM ZHENG 12/18/09				
					Joseph Hsia 12/18/09				
sheet index	revision sheet	A	A	A	A			cage code 22526	
		1	2	3	4				

Pro/E

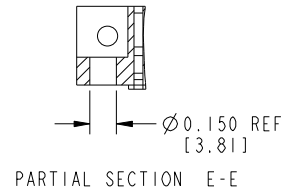
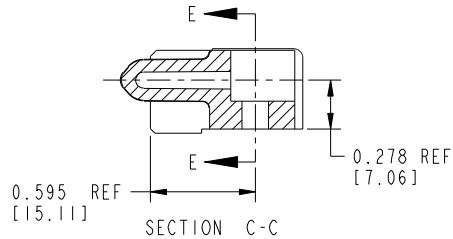
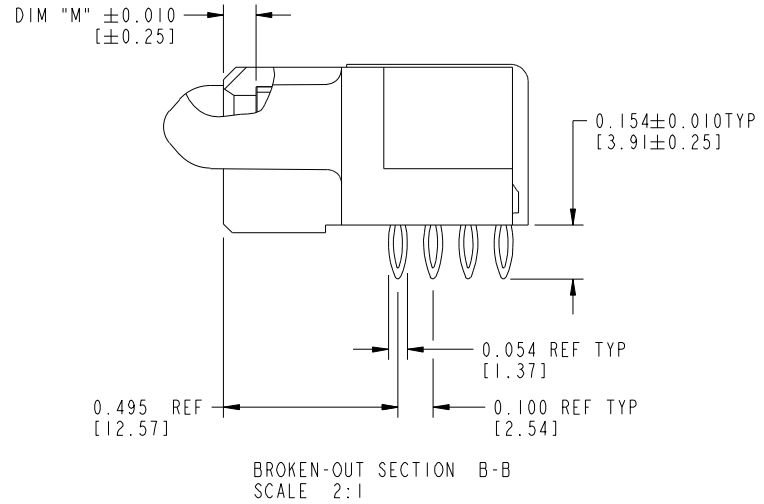
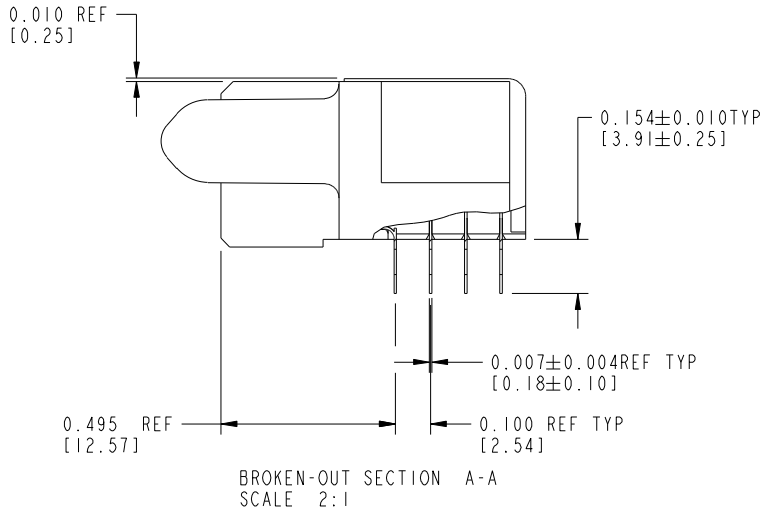
cage code 22526

Tous droits strictement réservés. Reproduction ou communication à des tiers interdite sous quelque forme que ce soit sans autorisation écrite du propriétaire. Propriété de c.FCI. Droits de reproduction FCI.



All rights strictly reserved. Reproduction or issue to third parties in any form whatever is not permitted without written authority from the proprietor. Property of FCI. Copyright FCI.

PRODUCT NUMBER
51866-046--
NOTE: 3



mat'l code		SEE NOTE 2		tolerances unless otherwise specified		CUSTOMER		FCI		www.fciconnect.com	
ltr	ecn no.	dr	date	linear	.XX±.01/0.X±0.3	COPY		projection			
A				angles	.XXX±.005/0.XX±0.13	INCH/MM		title			
				dr	.XXX±.0020/0.XXX±0.051	scale		product family			
				enr	0°±2°	1:1		PwrBlade		code	
				chr	WL ZHANG 12/18/09	A		size		213	
				appd	WARREN DU 12/18/09	51866-046		dwg no		sheet	
					PM ZHENG 12/18/09			2 of 4			
					Joseph Hsia 12/18/09						
sheet index	revision sheet										

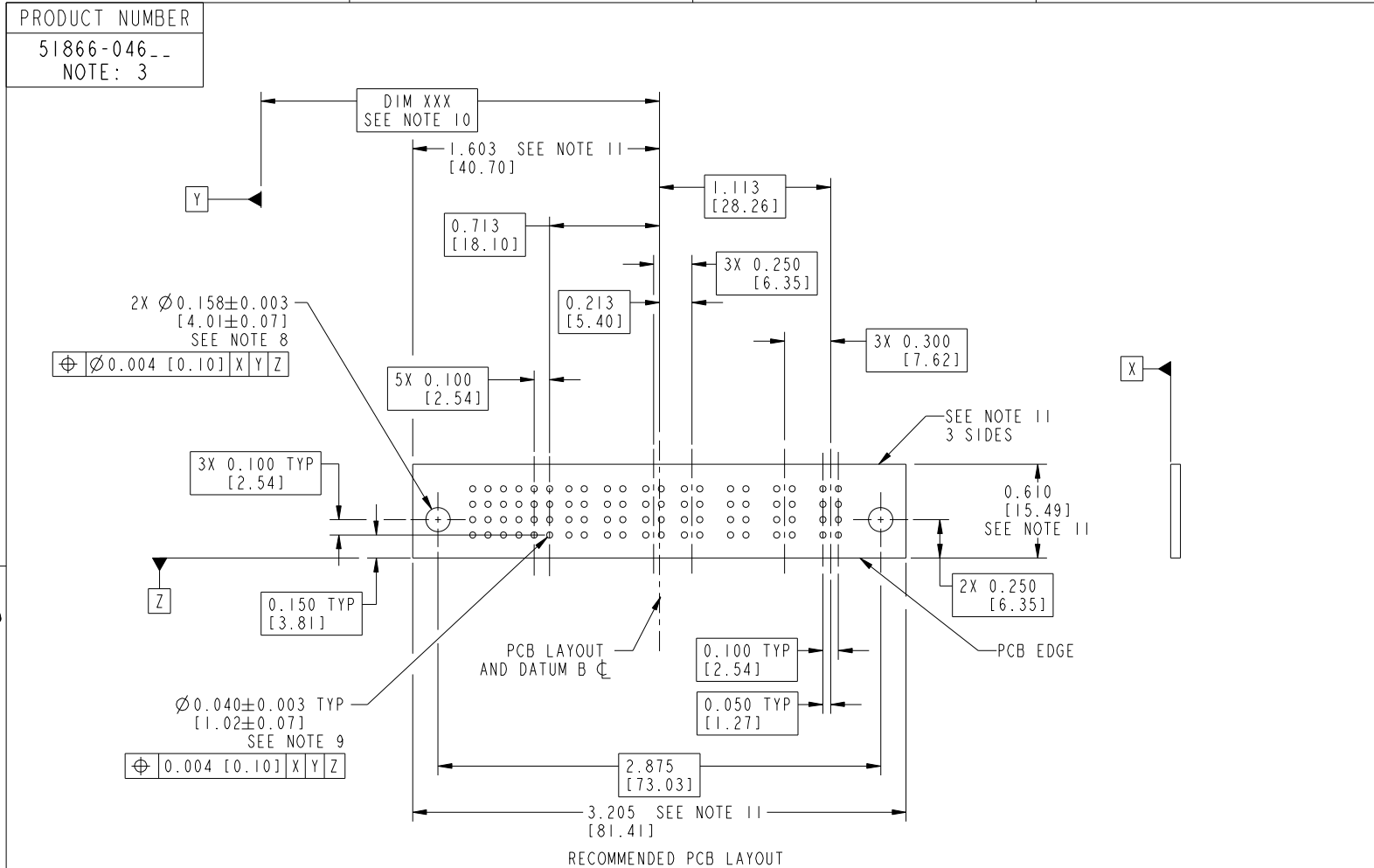
cage code 22526

Pro/E

Tous droits strictement réservés. Reproduction ou communication à des tiers interdite sous quelque forme que ce soit sans autorisation écrite du propriétaire. Propriété de c.FCI. Droits de reproduction FCI.



All rights strictly reserved. Reproduction or issue to third parties in any form whatever is not permitted without written authority from the proprietor. Property of FCI. Copyright FCI.



mat'l code		SEE NOTE 2		tolerances unless otherwise specified		CUSTOMER		 www.fciconnect.com	
ltr	ecn no.	dr	date	linear	.XX±.01/0.X±0.3	COPY		title	
A				angles	.XXX±.005/0.XX±0.13	projection		3ACP + 4P + 24S	
				dr	.XXX±.0020/0.XXX±0.051			R/A PRESS-FIT RECEPTACLE	
				enr	0°±2°	INCH/MM		product family	
				chr	WL ZHANG 12/18/09	scale		PwrBlade	
				appd	WARREN DU 12/18/09	1:1		code	
					PM ZHENG 12/18/09	A		213	
					Joseph Hsia 12/18/09	51866-046		sheet	
sheet index	revision sheet							3 of 4	

cage code 22526

Pro/E

Tous droits strictement reserves. Reproduction ou communication a des tiers interdite sous quelque forme que ce soit sans autorisation écrite du propriétaire. Propriete de c FCI. Droits de reproduction FCI.



All rights strictly reserved. Reproduction or issue to third parties in any form whatever is not permitted without written authority from the proprietor. Property of FCI. Copyright FCI.

PRODUCT NUMBER
51866-046__
NOTE: 3

NOTES:

1. DIMENSIONS AND TOLERANCES ARE IN ACCORDANCE WITH ASME Y14.5M, 1994 UNLESS OTHERWISE SPECIFIED.

CONNECTOR NOTES:

- 2. HOUSING MATERIAL: UL 94 V-0 GLASS FILLED HIGH-TEMP THERMOPLASTIC
POWER CONTACT MATERIAL: COPPER ALLOY
SIGNAL PIN MATERIAL: COPPER ALLOY
- 3. SEE ITEM 7 & 8 IN PRINT 10064183 FOR PLATING SPEC OF 51866-046 AND 51866-046LF RESPECTIVELY.
- 4. MANUFACTURER'S NAME, DATE CODE AND OPTIONAL P/N TO APPEAR ON THIS SURFACE.
THE P/N CAN BE OMITTED IF THERE IS NOT ENOUGH SPACE ON THIS SURFACE..
- 5. PRODUCT SPECIFICATION GS-12-149.
APPLICATION SPECIFICATION BUS-20-067.
- 6. PACKAGED IN TRAYS.

PCB NOTES:

- 7. ALL HOLE DIAMETERS ARE FINISHED HOLE SIZE.
- 8. MOUNTING HOLES, WHERE APPLICABLE, ARE UNPLATED.
- 9. $\varnothing .0453 \pm .0010$ [1.151 \pm 0.025] DRILLED HOLES PLATED WITH
.0003 [0.008] MIN SnPb OVER .001 [0.03]
TO .003 [0.08] Cu PLATING TO ACHIEVE
 $\varnothing .040 \pm .003$ [1.02 \pm .07] HOLE.
- 10. "DIM XXX" TO BE DETERMINED BY THE CUSTOMER.
- 11. CONNECTOR KEEP-OUT ZONE.
- 12. USE FCI CAM TOOL 430140-041
TO APPLY CONNECTOR TO PCB.

mat'l code				SEE NOTE 2		tolerances unless otherwise specified		CUSTOMER		www.fciconnect.com	
ltr	ecn no.	dr	date	linear	.XX±.01/0.X±0.3		COPY			title	
A					.XXX±.005/0.XX±0.13		projection			3ACP + 4P + 24S	
				angles	.XXX±.0020/0.XXX±0.051						code
					0°±2°		INCH/MM		product family		PwrBlade
				dr	WL ZHANG	12/18/09	scale		size	dwg no	sheet
				enrg	WARREN DU	12/18/09	1:1		A	51866-046	4 of 4
				chr	PM ZHENG	12/18/09					
				appd	Joseph Hsia	12/18/09					
sheet index	revision sheet										

cage code 22526

Pro/E