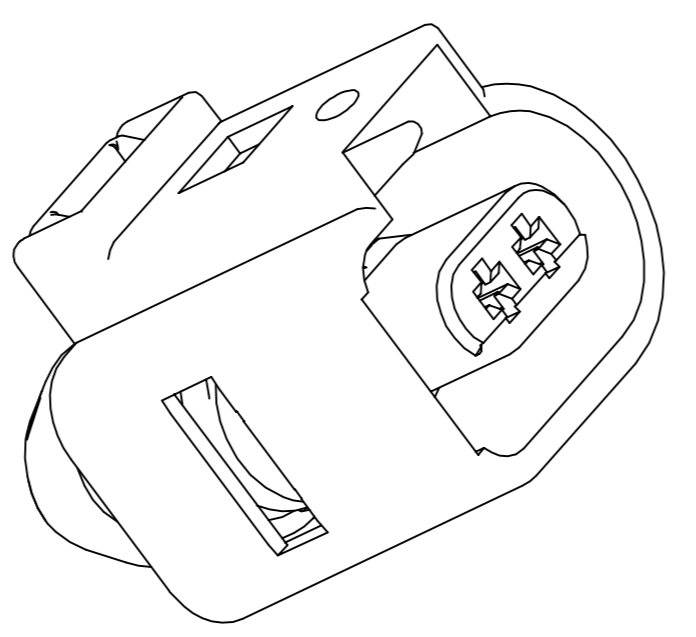
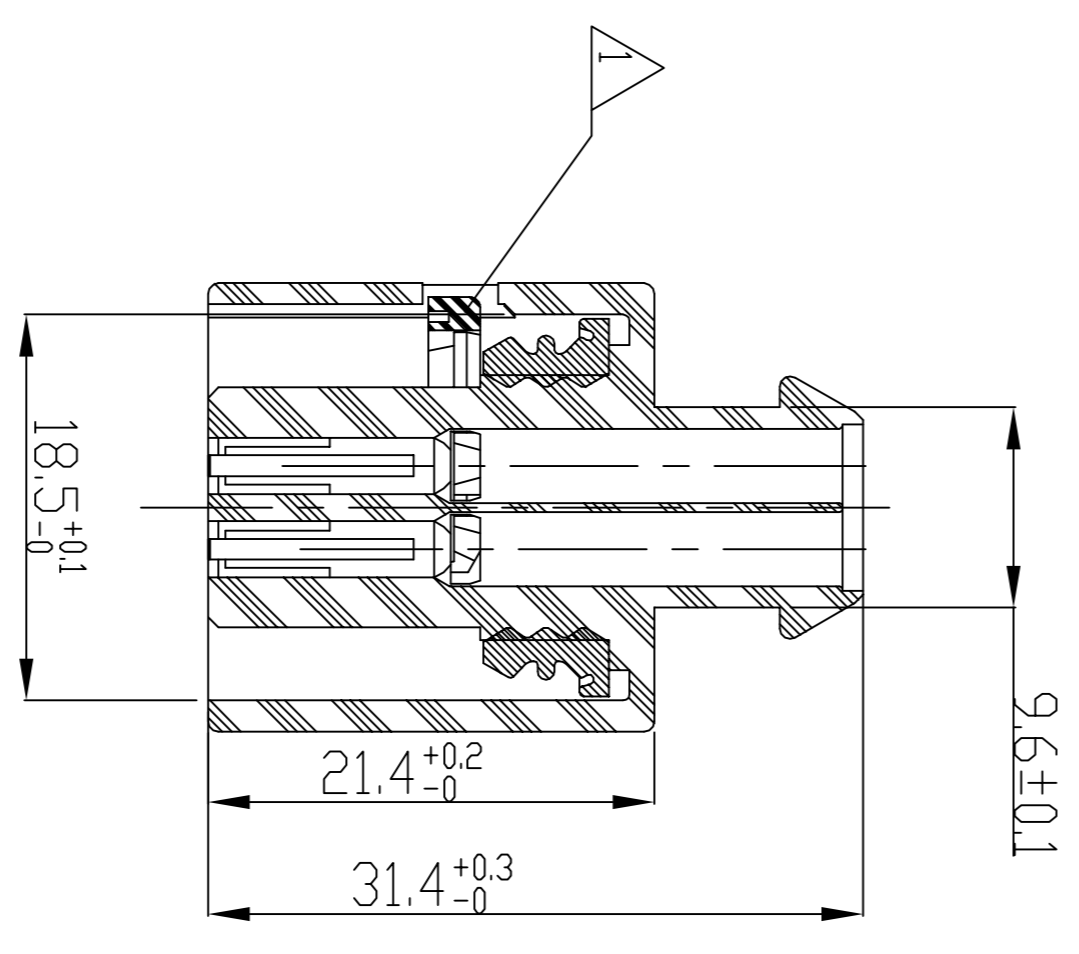
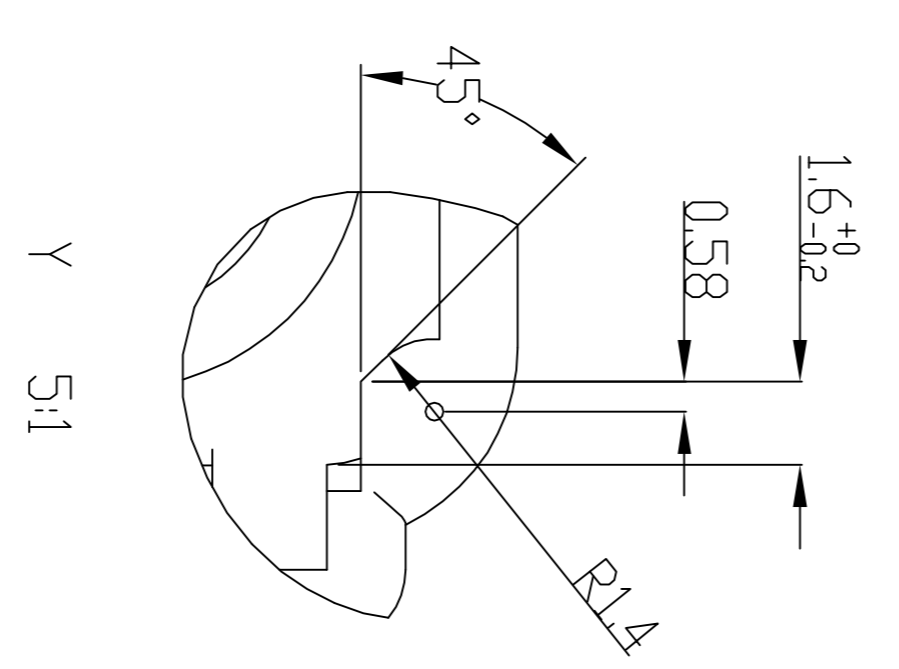
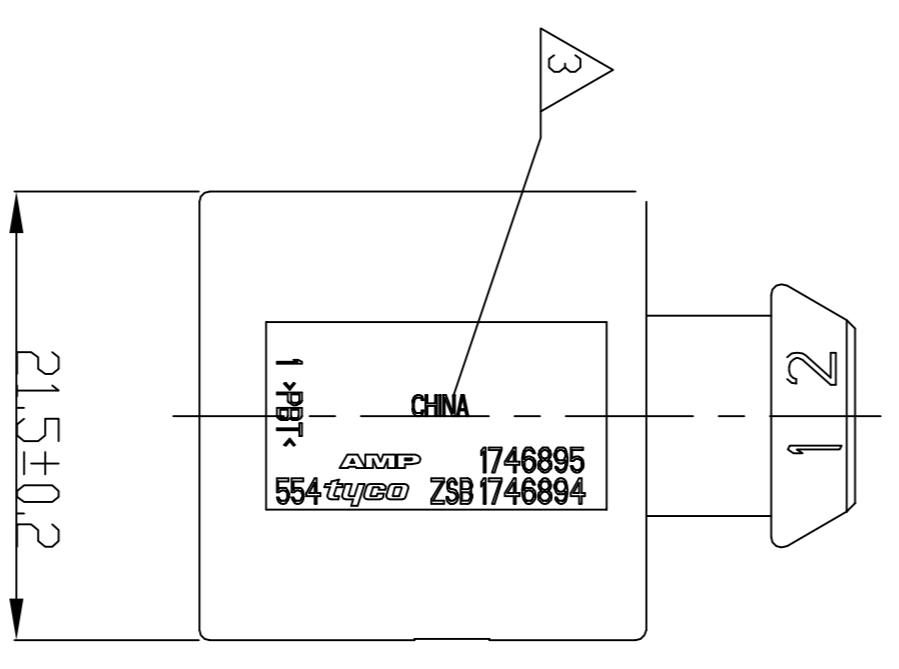
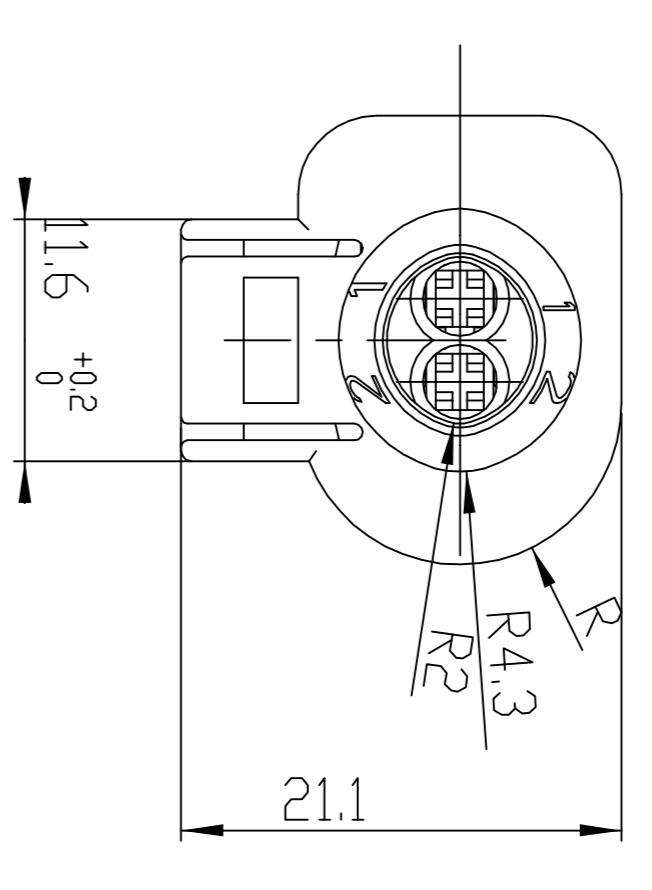
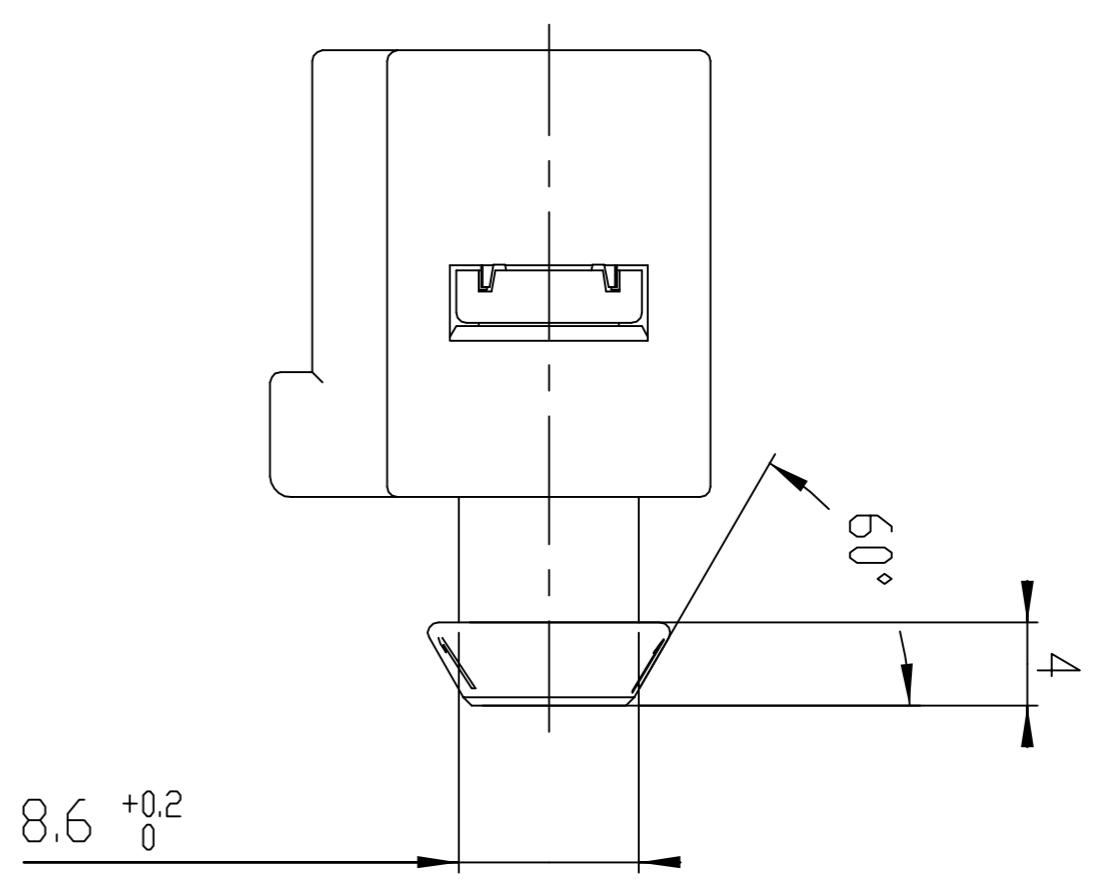
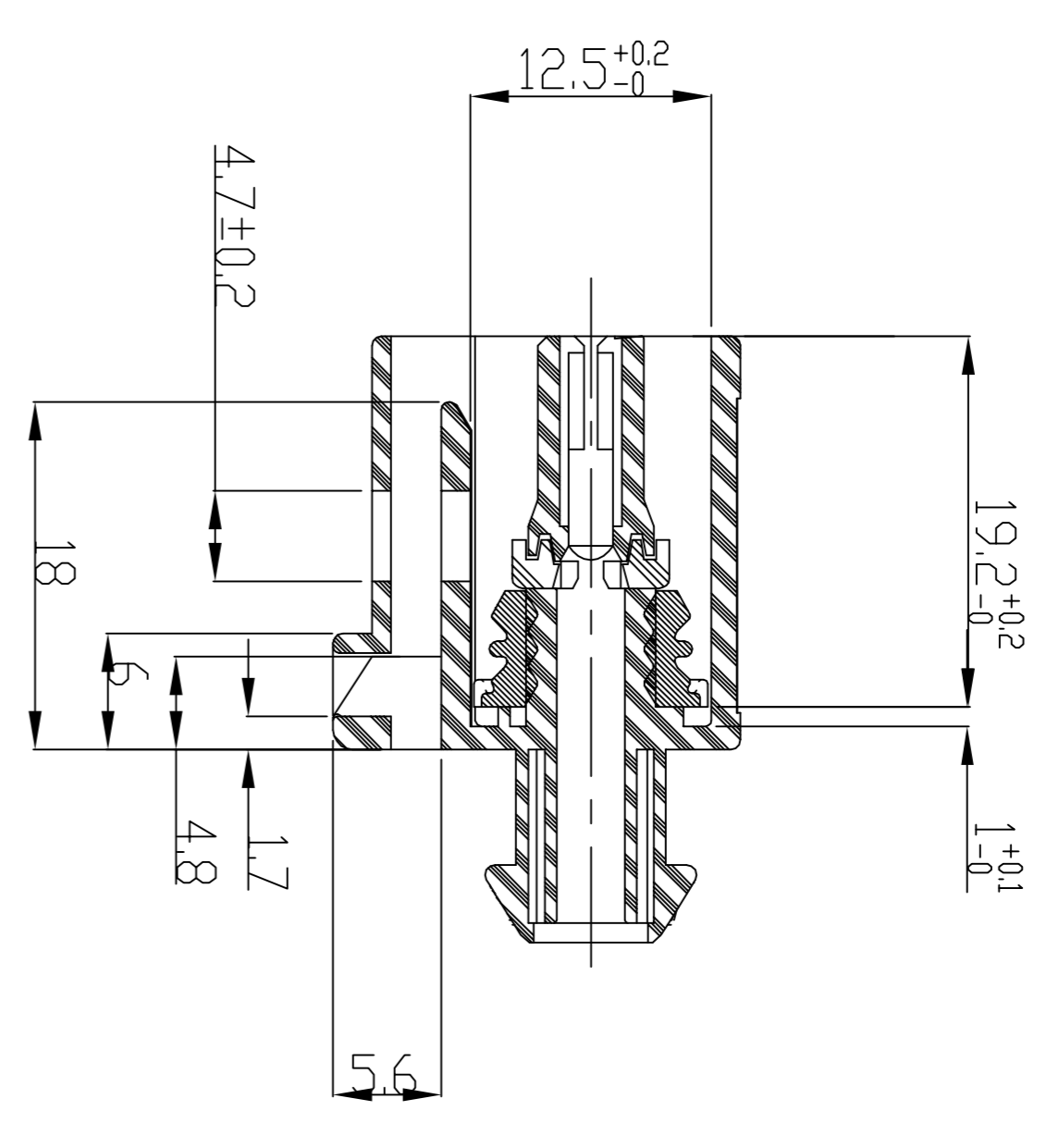
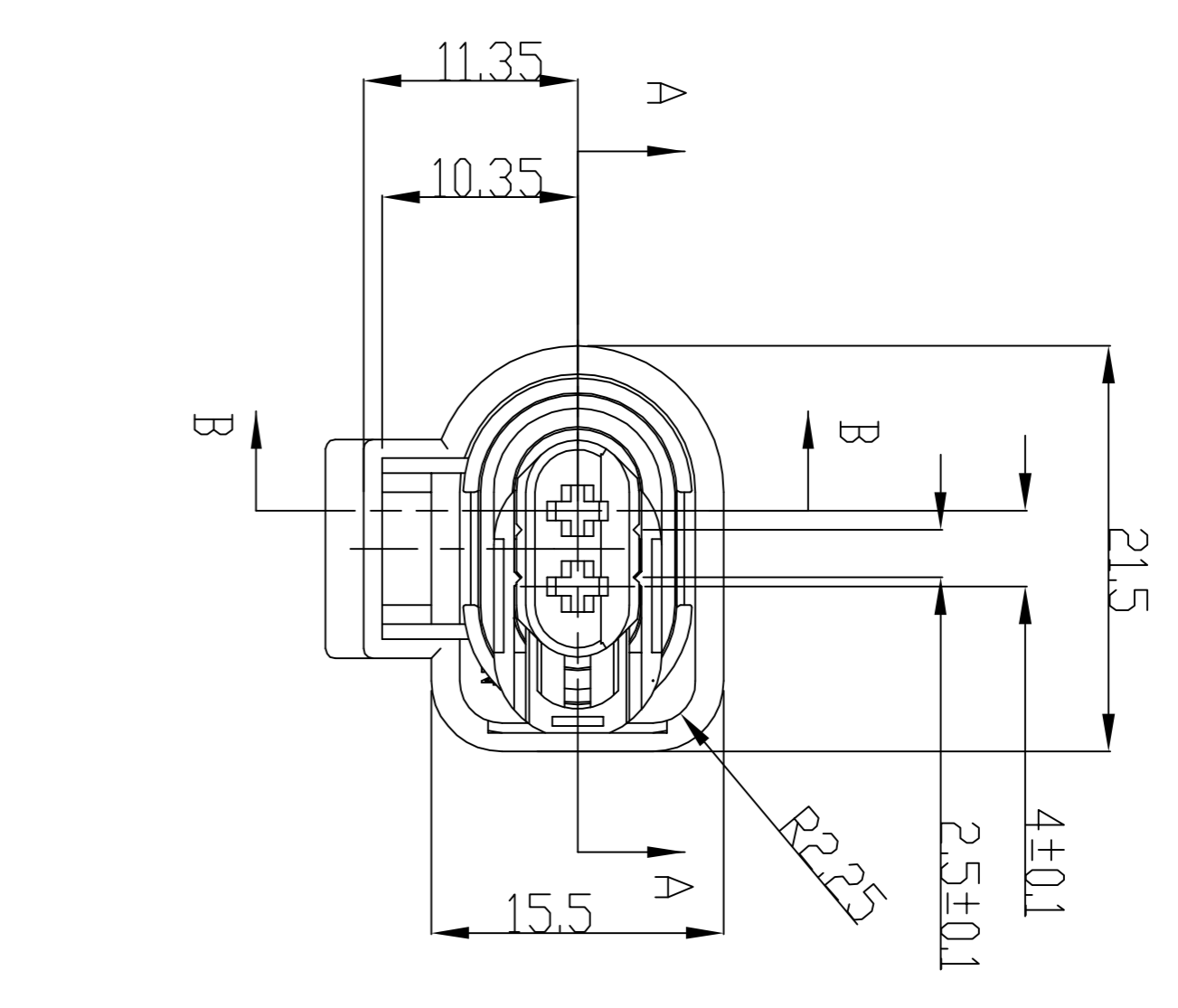
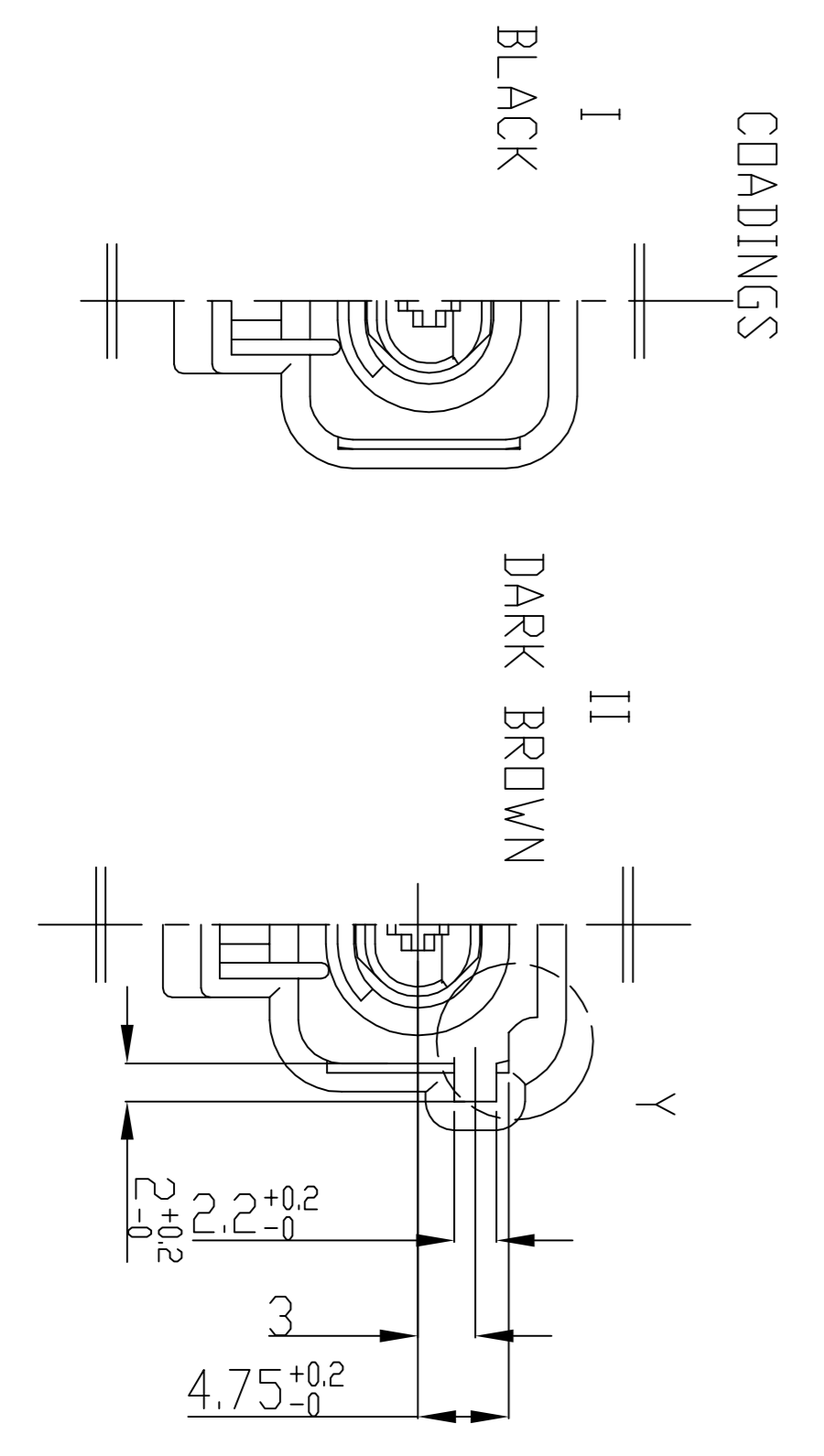


LOC	DIST	REV	DESCRIPTION	DATE	DWN	ARVD
ES	00	P				
		0	RELEASED	13FEB2004	XPHE	NSAI
		A	ADD PART NO(CCD-06-000991)	20DEC2005	SX	KJD
		A1	CORRECT CODE IDENTIFICATION	14DEC2006	RZ	KJD



NOTES

- 1 SHOWN AS SUPPLIED/RETAINER IN PRE-LOCKED POSITION.
- 2 BULK PACKAGED
- 3 COUNTRY MARK IS NOT APPLIED FOR 1746894-5



SECTION A-A

ITEM	DESCRIPTION	QTY	ASSY NO	COATING
I	MT2 RD SEAL 2PDSN PLUG HSG ASSY	3	1746894-5	
IV	MT2 RD SEAL 2PDSN PLUG HSG ASSY		1746894-4	
III	MT2 RD SEAL 2PDSN PLUG HSG ASSY		1746894-3	
II	MT2 RD SEAL 2PDSN PLUG HSG ASSY		1746894-2	
I	MT2 RD SEAL 2PDSN PLUG HSG ASSY		1746894-1	

THIS DRAWING IS A CONTROL DRAWING FOR THE TYCO ELECTRONICS CORPORATION. IT IS SUBJECT TO CHANGE WITHOUT NOTICE. ANY CHANGES SHALL BE COMPLETED FOR THE LATEST REVISION.	
DWN	13FEB2004
CHK	XPHE
APVD	NSAI
PRODUCT SPEC	NSAI
APPLICATION SPEC	108-18179
FINISH	
WEIGHT	
CUSTOMER DRAWING	

NAME	Tyco Electronics
Shanghai, China	
SIZE	A2
CAGE CODE	00779
DRAWING NO	1746894
SCALE	2:1
SHEET	1
OF	1
REV	A1