

**Technical specification:**

Rated voltage: 5pos  
IEC 61076-2-101 30 V

Current rating: 4 A at 40°C  
IEC 61076-2-101

Insulation resistance: >=100 MΩ  
IEC 60512

Pollution degree: 3/2  
IEC 60664-1

Degree of protection: IP 67, in mated condition  
IEC 60529

Temperature range: -30°C ... +80°C  
IEC 60664-1

Mating cycles: >=100  
IEC 60512-9a

**Materials:**

Contact: CuZn

Contact plating: Nickel, gold plated

Contact carrier: TPU GF, UL 94

Sealing: FPM

Coupling nut/ screw: GD-Zn, nickel plated

Moulding body axial: TPU, UL 94, grey

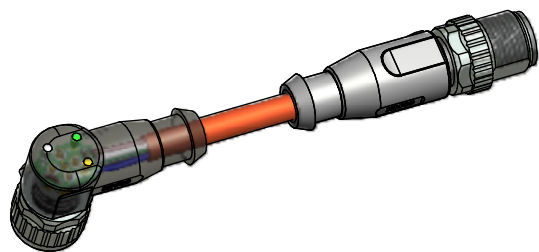
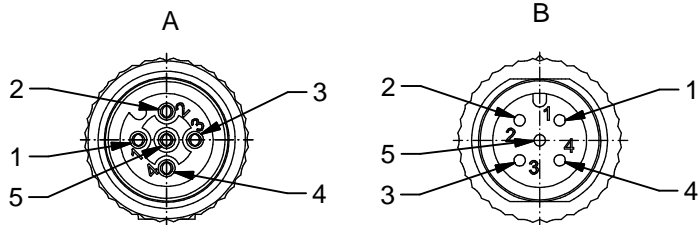
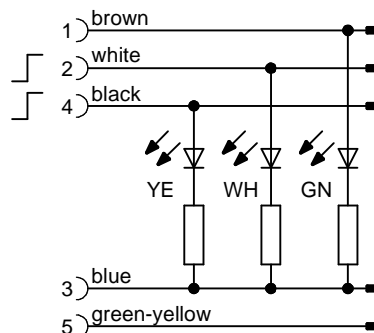
Moulding body angled: TPU, UL 94, translucent

**Installation specification:**

Recommended torque: 0,6 Nm

Conec installation tool: Torque wrench: 36-000200  
Insert across flats 13: 36-000220

**Contact assignment:**



Part no:	Description:	Length L:	Cable:
43-10864	SAL - 12 - RKW5 - RS5 - 3L - 0,3 / J1	0,3m	TPU, UL 20549, orange, 5x0,34mm <sup>2</sup> Cable: 781-J13500
43-10865	SAL - 12 - RKW5 - RS5 - 3L - 0,6 / J1	0,6m	
43-10866	SAL - 12 - RKW5 - RS5 - 3L - 1,5 / J1	1,5m	
43-10867	SAL - 12 - RKW5 - RS5 - 3L - 3 / J1	3m	
43-xxxxx	SAL - 12 - RKW5 - RS5 - 3L - ... / J1	x	

D see data sheet cable

DO NOT ALTER CAD DRAWING BY HAND

Directive 2002/95/EC RoHS compliant

Index: a 01.02.11 VF Ä3767  
Coupling nut/ screw modified, spanner flats added, data sheet modified

tolerance of cable: L ≤ 4m: L + 40mm  
L > 4m: L + 1%

THIS DRAWING MAY NOT BE COPIED OR REPRODUCED IN ANY WAY, AND MAY NOT BE PASSED ON TO A THIRD PARTY WITHOUT WRITTEN PERMISSION.  
OWNERSHIP AND COPYRIGHT OF CONEC GmbH

dim. in mm	date		name	
	drawn	14.03.07	Fromm	
	appd.	14.03.07	Mankopf	



title: Connecting cable M12x1, female connector angled with LED - male connector axial

dwg no: 43K1A466

part no: see table