

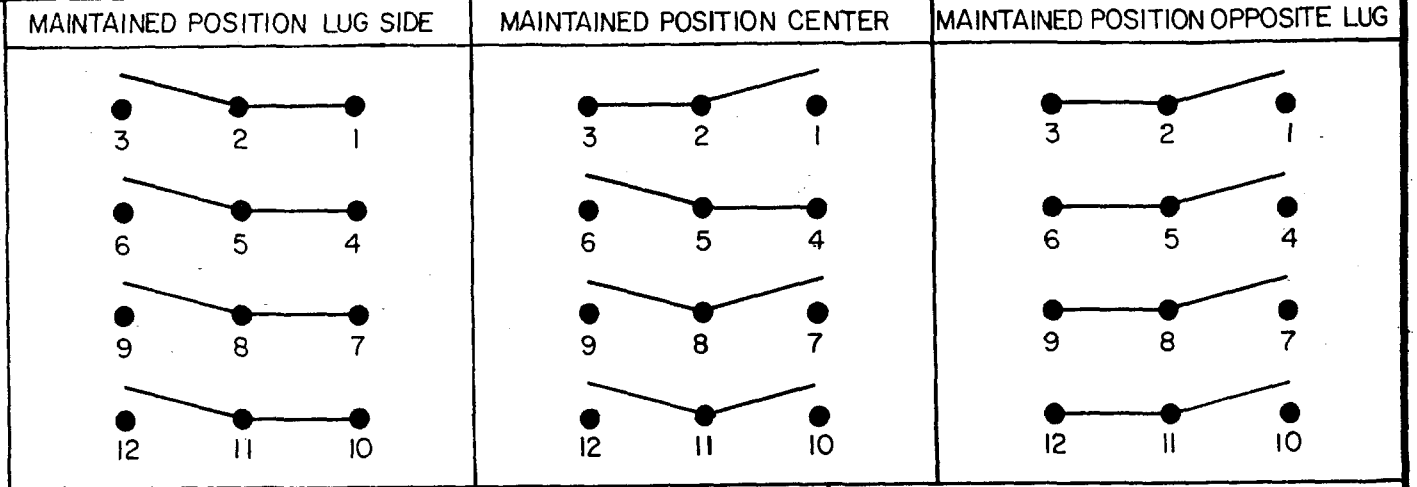
MICRO SWITCH
 FREEPORT, ILLINOIS, U.S.A.
 A DIVISION OF HONEYWELL
 FED. MFG. CODE 91929

**SWITCH-TOGGLE
 FLUSH KEY**

CATALOG LISTING
4TP12-10

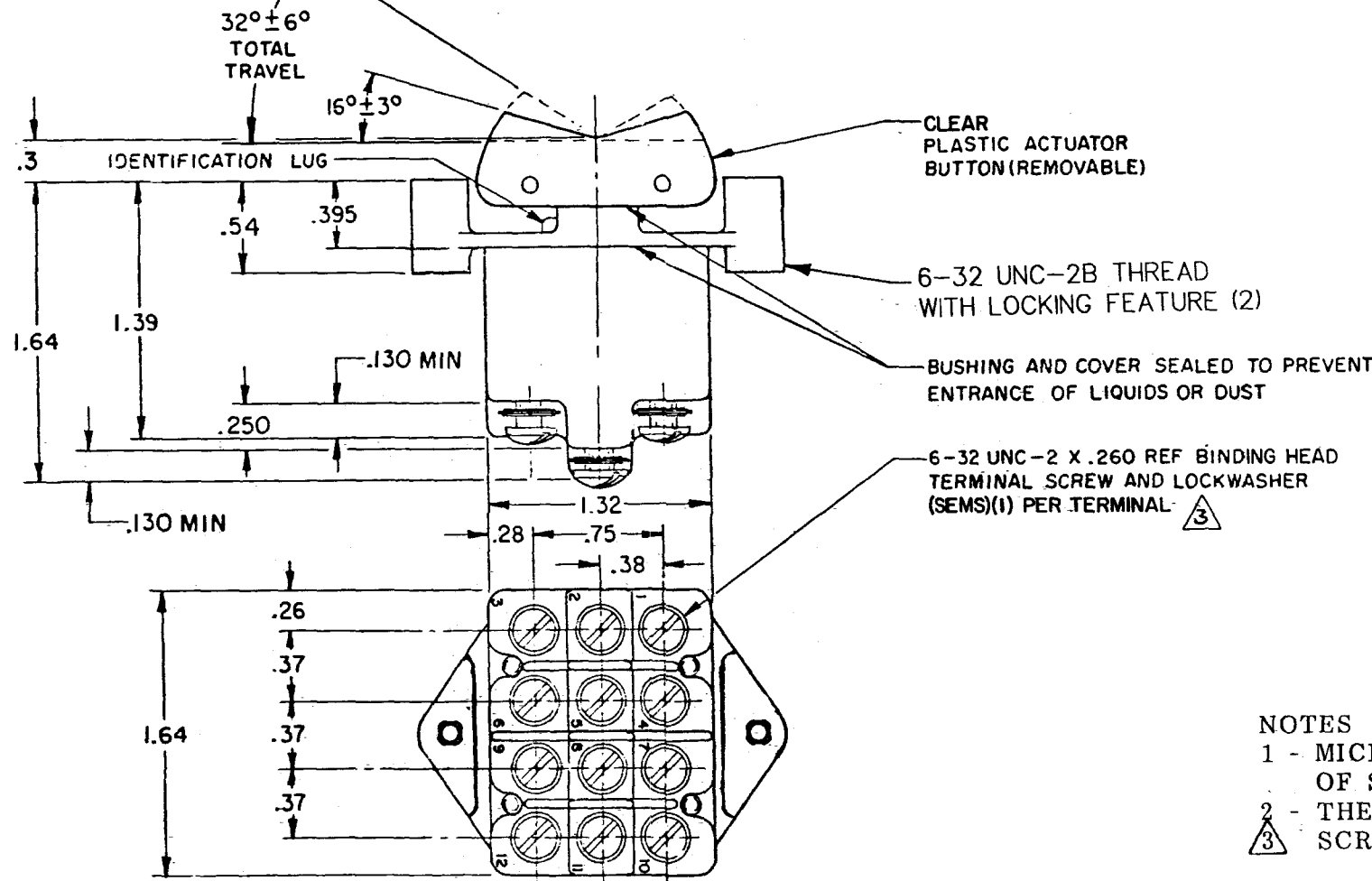
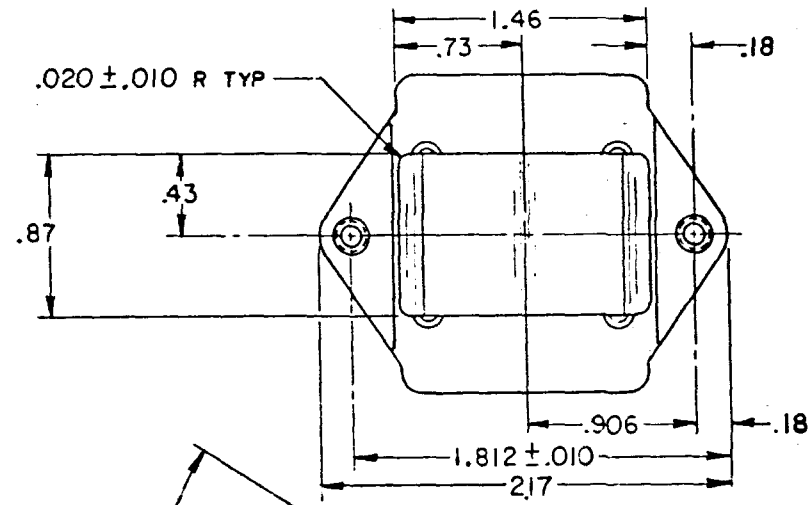
THIS DRAWING COVERS A PROPRIETARY ITEM AND IS THE PROPERTY OF MICRO SWITCH, A DIVISION OF HONEYWELL. THIS DRAWING IS NOT TO BE COPIED OR USED WITHOUT THE APPROVAL OF MICRO SWITCH.

CIRCUIT MADE WITH ROCKER DEPRESSED ON



ELECTRICAL DATA

15A-125, 250 OR 277 VAC
 1/2HP-125VAC; 1HP-250, 277VAC
 5A-125VAC "L" CODE L191



- NOTES**
- 1 - MICRO SWITCH CATALOG LISTING MARKED ON SIDE OF SWITCH
 - 2 - THESE SWITCHES WILL WITHSTAND TEMPERATURE OF 160°F
 - 3 - SCREWS FURNISHED UNASSEMBLED

DRAWING NUMBER: 4TP12-10
 PAGE 1 OF 1
 RELEASE NO. PR-4808
 CHECK: M
 ISSUE: 10
 REVISIONS:
 A CO 45979
 S L B 30 APR 79
 B CO47320
 C E B 4 MAR 80
 C CO49167
 J A P 16 JUL 81
 D CO56164
 J A P 6 MAR 85
 E CO59134
 K E W 11 APR 86
 F CO60064
 S J S 22 AUG 86
 G CO77897
 T S M 15 JUN 94
 H S O 9 047
 S A D 11 JAN 95
 J REINSTA J 200080
 J A 28 FEB 00
 DRAWN: K P K12 MAR 75 CHECK: DJW
 FORMTEK
 FO-50373-003

SCALE FULL
 DO NOT SCALE PRINT

TOLERANCES
 APPLY TO DESIGN UNITS. CONVERSIONS ARE ONLY FOR REFERENCE. UNLESS NOTED, TOLERANCES ARE ±

	DIM. mm	TOL. mm/in	DIM. in	TOL. mm/in
NO PLACES	X	±.04	X	±.0015
ONE PLACE	X.X	±.01/0.16	X.X	±.0015
TWO PLACES	X.XX	±.005/0.08	X.XX	±.0015
THREE PLACES	X.XXX	±.0005/0.008	X.XXX	±.0005

DESIGN UNITS: SI METRIC US CUSTOMARY

WEIGHT .22 LB EST