

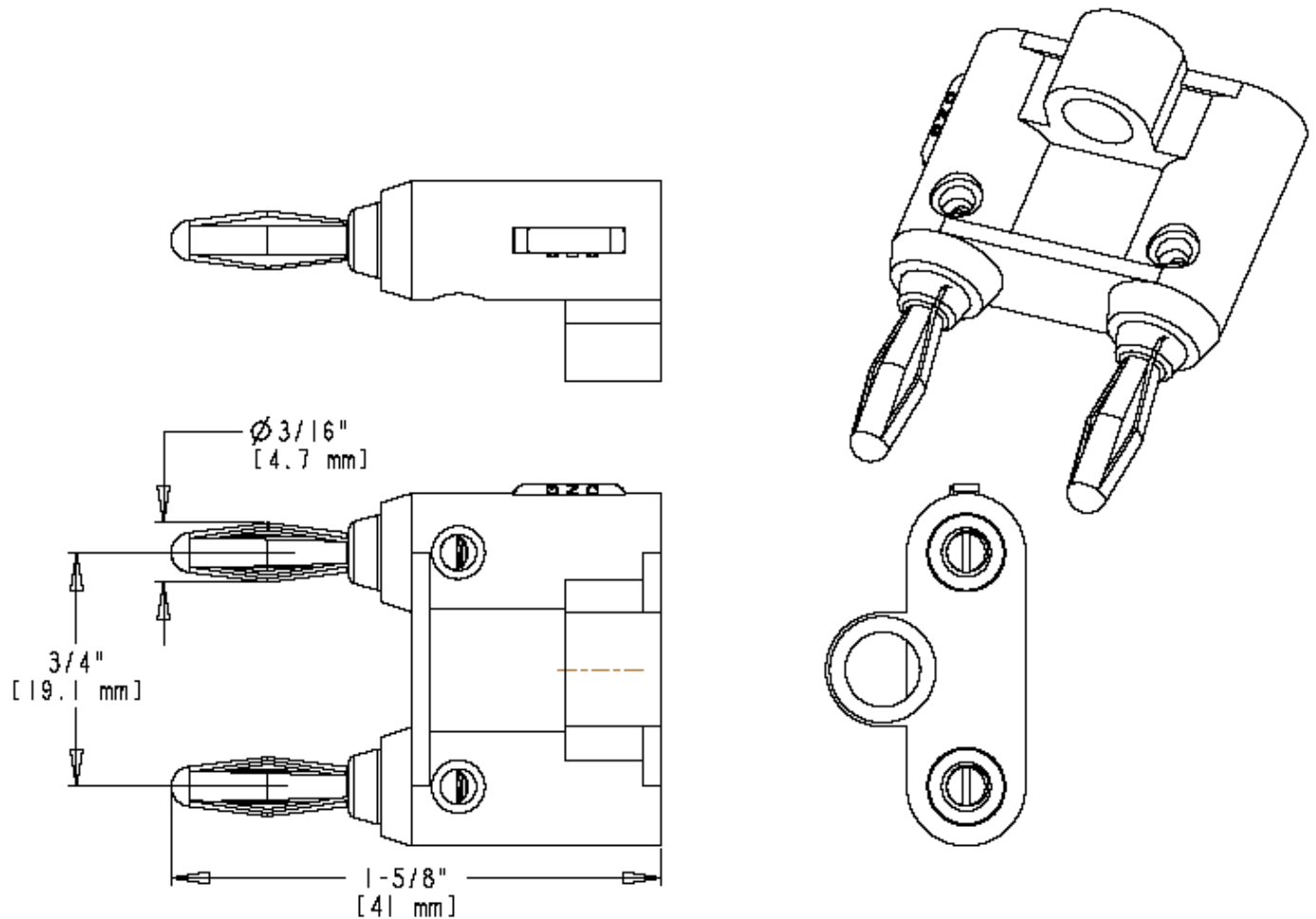


**Part Number:** BU-00247-\*

**Description:**

**Dual Banana Plug**

2907



- Dual Banana Plug
- Material: Banana Plug: nickel-plated brass body; Spring: nickel-plated phosphor bronze; Insulator: PVC
- Length: 1.62"(41mm)
- \*Std. Colors: -0 Black -2 Red -4 Yellow -5 Green -6 Blue
- Rating: 15 Amps