

8 7 6 5 4 3 2 1

F F

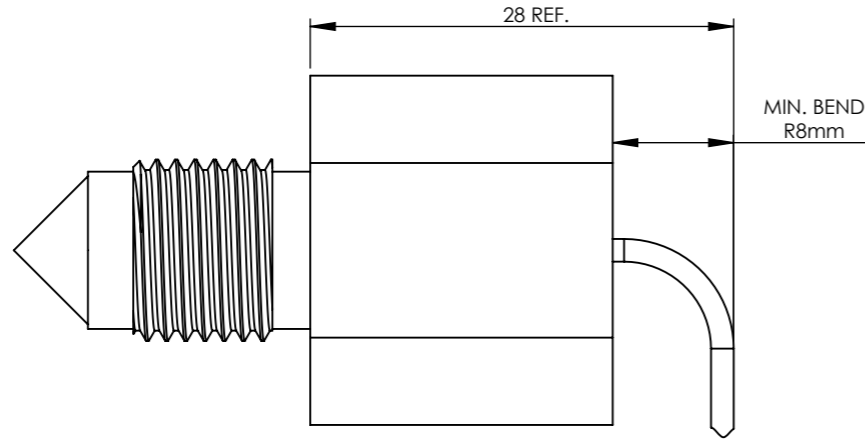
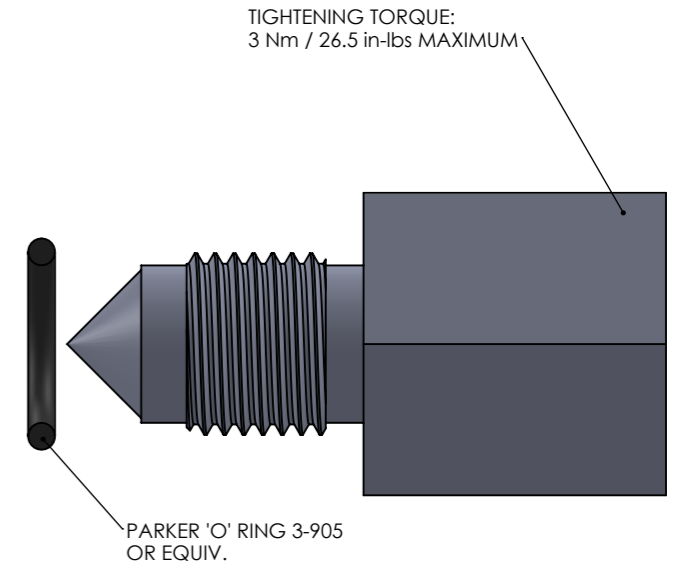
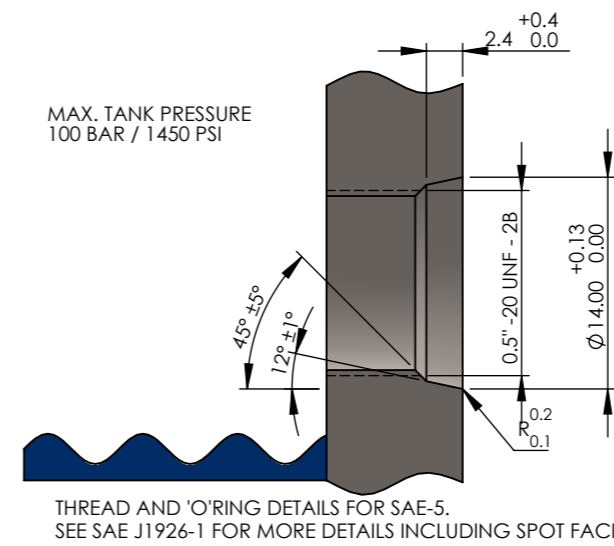
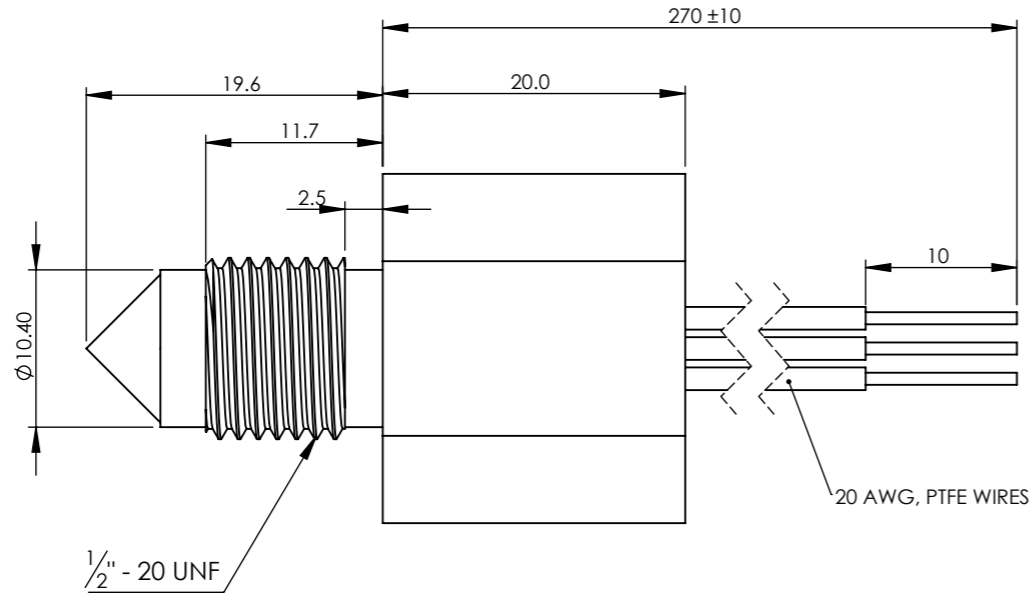
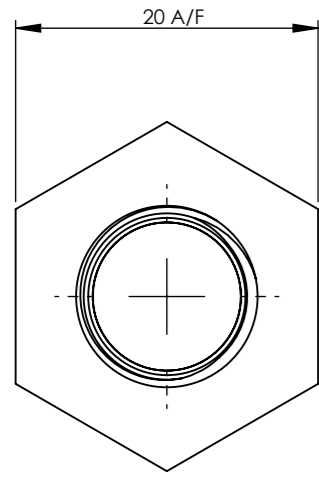
E E

D D

C C

B B

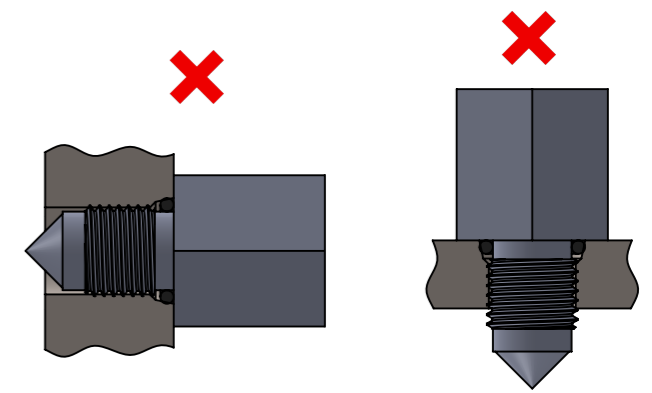
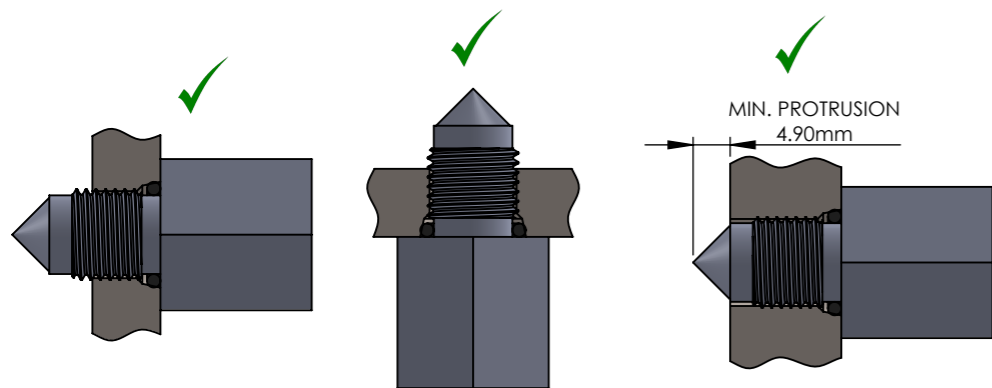
A A



RECOMMENDED MOUNTING POSITIONS

- OPTICAL LIQUID LEVEL SWITCHES SHOULD BE MOUNTED FROM THE SIDE OR FROM THE BOTTOM FOR BEST RESULTS.
- DO NOT ALLOW TIP OF SENSOR TO BE WITHIN TANK WALL. LIQUID CAN BE HELD IN WALL GIVING FALSE RESULTS
- AVOID MOUNTING POSITIONS WHERE AMBIENT LIGHT IS LIKELY TO POINT DIRECTLY AT THE SENSING TIP, AS FALSE READINGS CAN OCCUR.
- MOUNTING FROM THE TOP DOWN IS NOT NORMALLY ADVISED AS FALSE READINGS CAN BE CAUSED BY LIQUID DROPLETS CLINGING TO THE SENSING TIP. HOWEVER, IF THE LIQUID VISCOSITY IS LOW, THEN POINTING DOWNWARDS IS OFTEN FINE. ADDITIONALLY, IF THE APPLICATION IS A HIGH LEVEL ALARM AND ITS ACTIVATION RESULTS IN THE MACHINE SHUTDOWN FOR EXAMPLE, POINTING DOWNWARDS MAY BE ACCEPTABLE.

IF YOU REQUIRE MOUNTING IN ANY POSITION THAT IS NOT NORMALLY ADVISED PLEASE CONTACT TECHNICAL@SSTSSENSING.COM TO DISCUSS THE IMPLICATIONS.



UNLESS OTHERWISE SPECIFIED DIMENSIONS ARE IN MILLIMETERS STANDARD TOLERANCES: X X.X X.XX ±0.5 ±0.2 ±0.1 DEBURR AND BREAK SHARP EDGES ALL PARTS TO BE CLEAN AND FREE FROM DUST & OIL	MATERIAL: HOUSING - 316 ST/ST TIP - BOROSILICATE GLASS DRAWN BY: S.McCURRACH DRAWN ON: 12/01/2018	TITLE: LLG6 OPTOMAX INDUSTRIAL GLASS 0.5" - 20 UNF MOUNTING		
		THIRD ANGLE PROJECTION	DRAWING NO. LLG610D3XXX-XXX	REVISION: 1
		SCALE: 2:1	SHEET 1 OF 1	A3

8 7 6 5 4 3 2 1