

4

3

2

1

THIS DRAWING IS UNPUBLISHED.

RELEASED FOR PUBLICATION

20

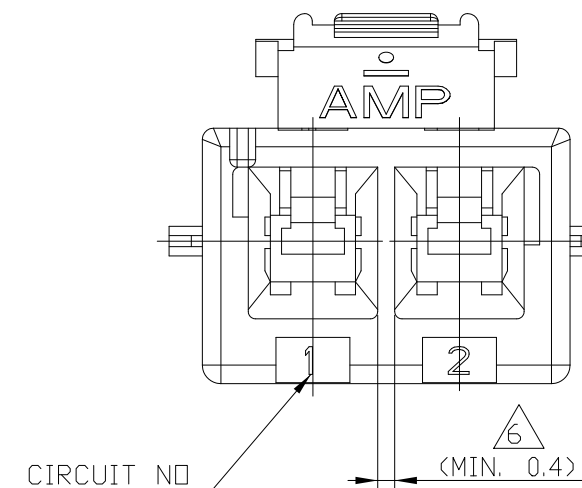
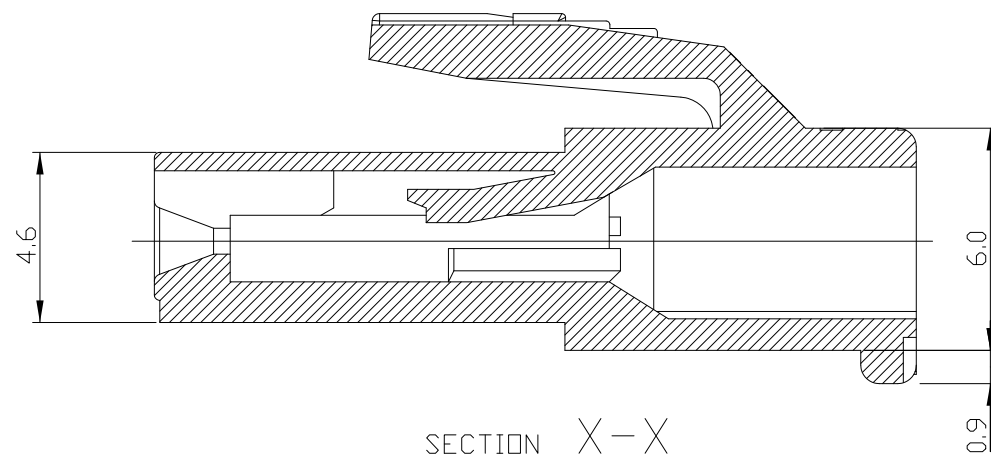
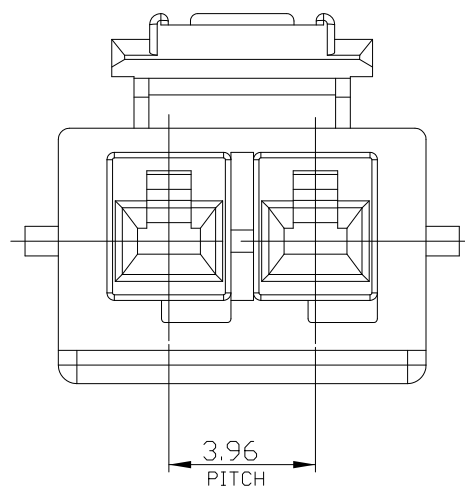
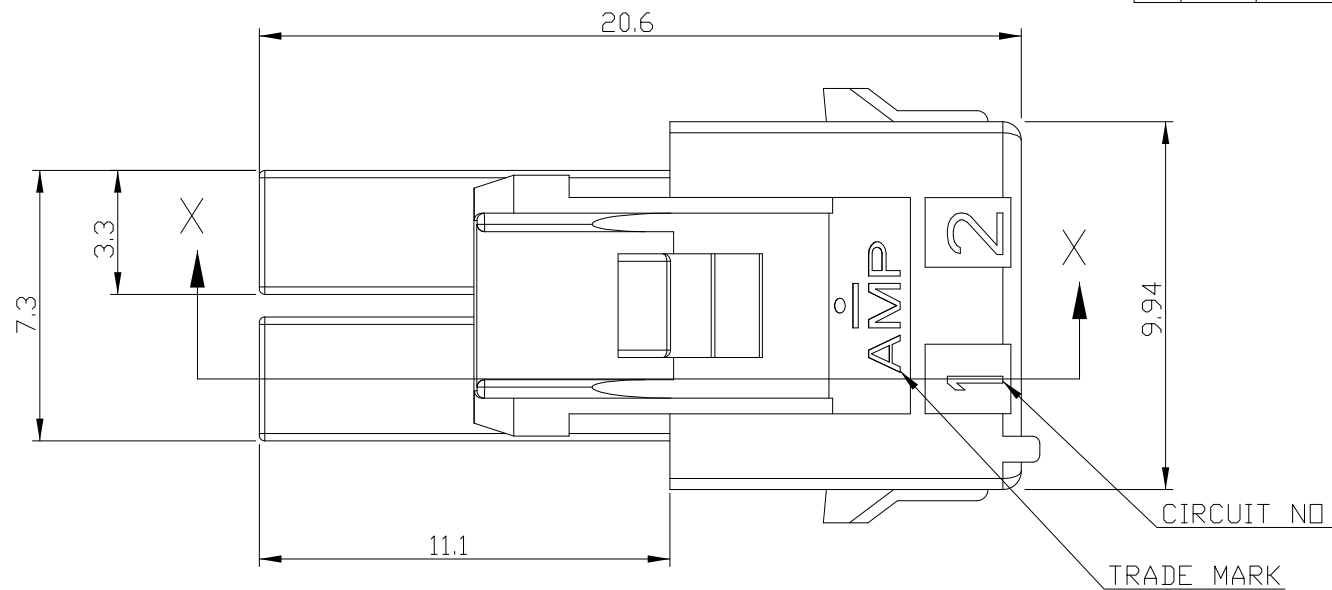
LOC DS

DIST -

REVISIONS

© COPYRIGHT 20 BY TYCO ELECTRONICS CORPORATION. ALL RIGHTS RESERVED.

P	LTR	DESCRIPTION	DATE	DWN	APVD
	A	RELEASED	29.MAY'09	SC	JK



- NOTE;
- APPLICABLE CONTACT P/N
 -REC CONTACT:177915- □(AWG#16-#20)
 :177914- □(AWG#22-#26)
 - MATING CONN.P/N
 -CAP HSG:2005248- □(FREE HANGING)
 2005249- □(PANEL MOUNT)
 -TAB CONTACT:177917- □(AWG#16-#20)
 177916- □(AWG#22-#26)
 - APPLICABLE DOUBLE LOCK PLATE:
 177918-1(V-0) OR □-368590-1(V-2,GWT)
 *IT SHOULD BE USED CERTAINLY WHEN CABLE ASS'Y
 - GENERAL TOLERANCES:±0.3
 - ACCORDING TO IEC 60335-1 4.2 EDITION
 -PART MEETS GWT 750° & 850°C.
 -MATERIAL MEETS BALL PRESSURE TESTING AT 125°C.
 -MATERIAL HAS CTI VALUE OF 250V.
 △MIN.THICKNESS OF INSULATING WALL

2005247-9	BLACK
2005247-6	BLUE
2005247-4	YELLOW
2005247-2	RED
2005247-1	NATURAL
P/N	COLOR

DIMENSIONS:		TOLERANCES UNLESS OTHERWISE SPECIFIED:		DWN		NAME	
mm		0 PLC	±-	SC KIM	Tyco Electronics AMP KOREA Kyungsan, Korea		
		1 PLC	±0.1	CHK	PDL 2P PLUG HSG 3.96mm (GWT)		
		2 PLC	±0.01	BW KANG	SIZE	CAGE CODE	DRAWING NO
		3 PLC	±0.001	APVD	A3	00779	2005247
		4 PLC	±0.0001	JK SONG	RESTRICTED TO	-	
		ANGLES	±-	PRODUCT SPEC	-		
MATERIAL	FINISH	-		APPLICATION SPEC	-		
PA66(UL94V-0)		-		WEIGHT	-		
THIS DRAWING IS A CONTROLLED DOCUMENT FOR TYCO ELECTRONICS CORPORATION IT IS SUBJECT TO CHANGE AND THE CONTROLLING ENGINEERING ORGANIZATION SHOULD BE CONTACTED FOR THE LATEST REVISION.				CUSTOMER DRAWING		SCALE	SHEET
						5:1	1 OF 1
							REV A