

Fiber optic - HS LC-V-D3/ R2XC1-5,08 - 2202311


Please be informed that the data shown in this PDF Document is generated from our Online Catalog. Please find the complete data in the user's documentation. Our General Terms of Use for Downloads are valid (<http://phoenixcontact.com/download>)



Light guides, can be used for the BC housing range (housing must be processed), color: transparent

RoHS

Key Commercial Data

| | |
|------------------------|---|
| Packing unit | 200 STK |
| Minimum order quantity | 200 STK |
| GTIN |  4 055626 049922 |
| GTIN | 4055626049922 |

Technical data

General

| | |
|------------------|--------------|
| Housing type | Light guides |
| Housing material | PC |
| Color (RAL) | transparent |

Ambient conditions

| | |
|---------------------------------|------------------|
| Ambient temperature (operation) | -40 °C ... 85 °C |
|---------------------------------|------------------|

Dimensions

| | |
|-------|---------|
| Pitch | 5.08 mm |
|-------|---------|

Technical data

| | |
|---------------------|---|
| Number of positions | 2 |
|---------------------|---|

Standards and Regulations

| | |
|--|----|
| Flammability rating according to UL 94 | HB |
|--|----|

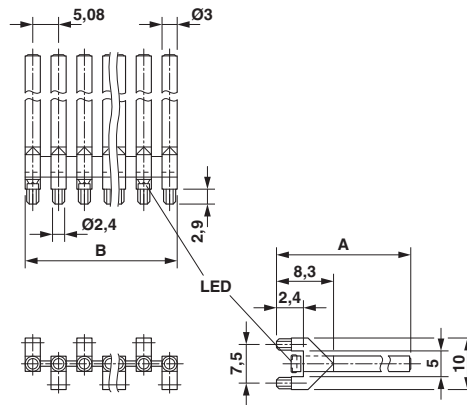
Environmental Product Compliance

| | |
|------------|---|
| China RoHS | Environmentally friendly use period: unlimited = EFUP-e |
| | No hazardous substances above threshold values |

Fiber optic - HS LC-V-D3/ R2XC1-5,08 - 2202311

Drawings

Dimensional drawing



Details on positioning inside the electronics housing can be found in the download area under "Design-In"

Phoenix Contact 2018 © - all rights reserved
<http://www.phoenixcontact.com>

PHOENIX CONTACT GmbH & Co. KG
Flachsmarktstr. 8
32825 Blomberg
Germany
Tel. +49 5235 300
Fax +49 5235 3 41200
<http://www.phoenixcontact.com>