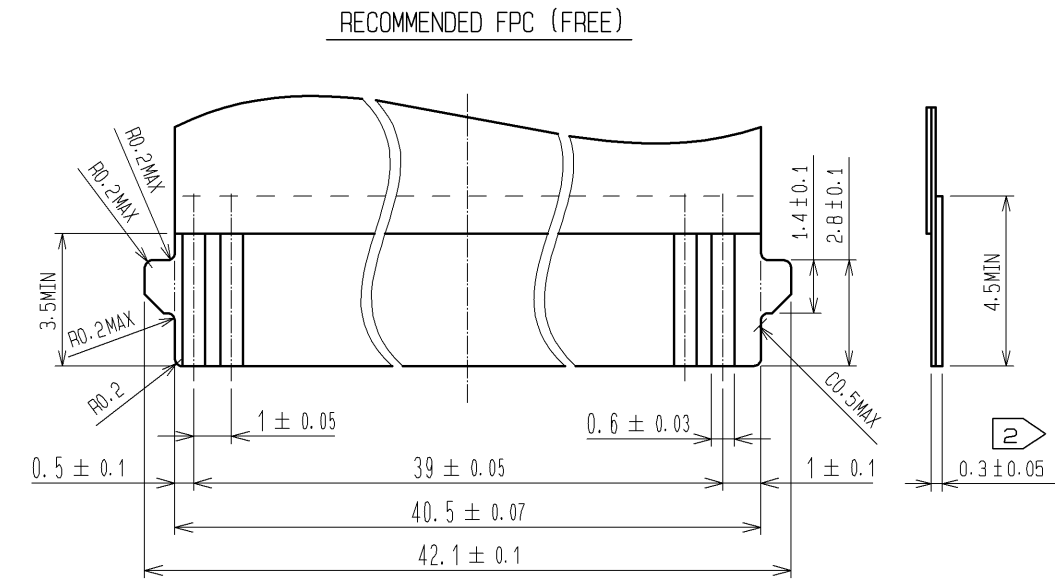
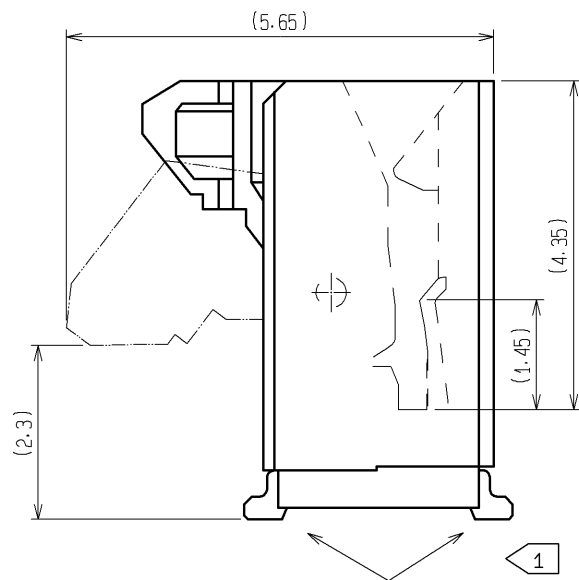
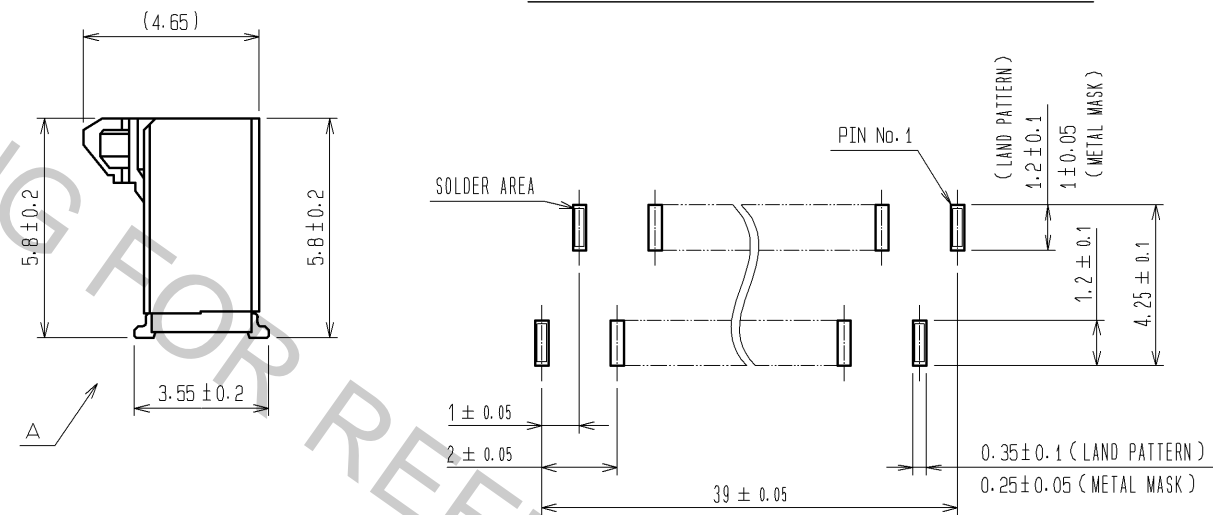


A (10 : 1)



RECOMMENDED LAND PATTERN · METAL MASK(FREE)



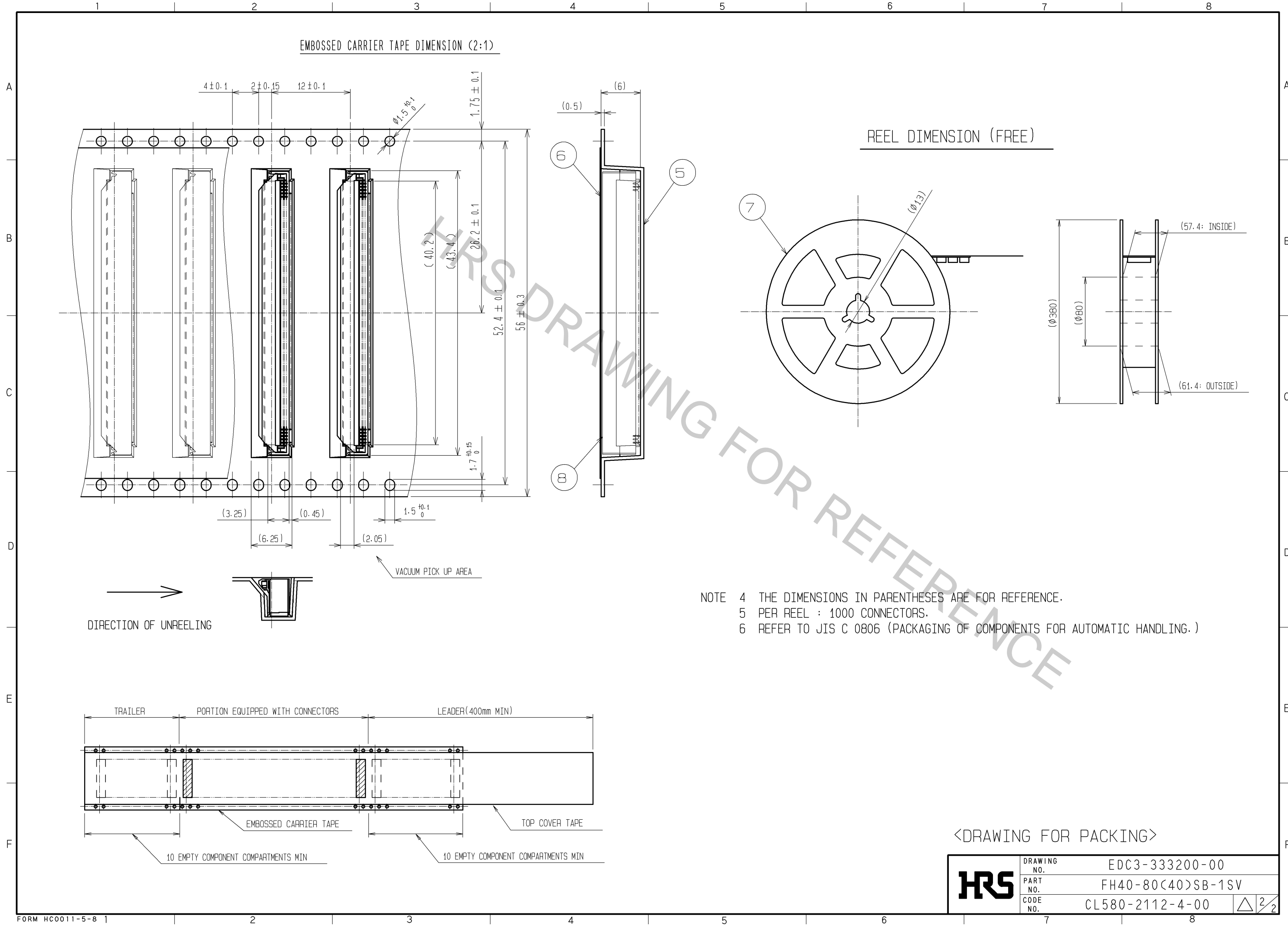
RECOMMENDED METAL MASK THICKNESS: t=0.15

- NOTE
- ① LEAD CO-PLANARITY SHALL BE 0.1 MAX.
 - ② THICKNESS OF SUPPORTING TAPE SHALL BE 0.188(7.5mil) MIN.
 - ③ THIS PRODUCT SATISFIES HALOGEN FREE REQUIREMENTS DEFINED AS 900 PPM MAXIMUM CHLORINE, 900 PPM MAXIMUM BROMINE, AND 1500 PPM MAXIMUM TOTAL OF CHLORINE AND BROMINE.

4	PHOSPHOR BRONZE	(CONTACT AREA- LEAD) GOLD PLATING 0.05µm MIN. OVER NICKEL 1µm MIN. (OTHER) NICKEL 1µm MIN.					
3	PHOSPHOR BRONZE	(CONTACT AREA- LEAD) GOLD PLATING 0.05µm MIN. OVER NICKEL 1µm MIN. (OTHER) NICKEL 1µm MIN.	8	(CONNECTOR)			
2	LCP	(BLACK)	6	POLYESTER			
1	LCP	(BEIGE)	5	POLYSTYRENE			
NO.	MATERIAL	FINISH . REMARKS	NO.	MATERIAL	FINISH . REMARKS		
UNITS mm		SCALE 5 : 1	COUNT △	DESCRIPTION OF REVISIONS		DESIGNED	CHECKED
HRS HIROSE ELECTRIC CO., LTD.		APPROVED : NM. NISHIMATSU	11.11.09	DRAWING NO.		EDC3-333200-00	
		CHECED : HS. SAKAMOTO	11.11.09	PART NO.		FH40-80(40)SB-1SV	
		DESIGNED : RT. IKEDA	11.11.09	CODE NO.		CL580-2112-4-00	
		DRAWN : RT. IKEDA	11.11.09			△ 1/2	

EMBOSSED CARRIER TAPE DIMENSION (2:1)

REEL DIMENSION (FREE)



NOTE 4 THE DIMENSIONS IN PARENTHESES ARE FOR REFERENCE.
 5 PER REEL : 1000 CONNECTORS.
 6 REFER TO JIS C 0806 (PACKAGING OF COMPONENTS FOR AUTOMATIC HANDLING.)

<DRAWING FOR PACKING>

HRS	DRAWING NO.	EDC3-333200-00
	PART NO.	FH40-80(40)SB-1SV
	CODE NO.	CL580-2112-4-00
		△ 2/2