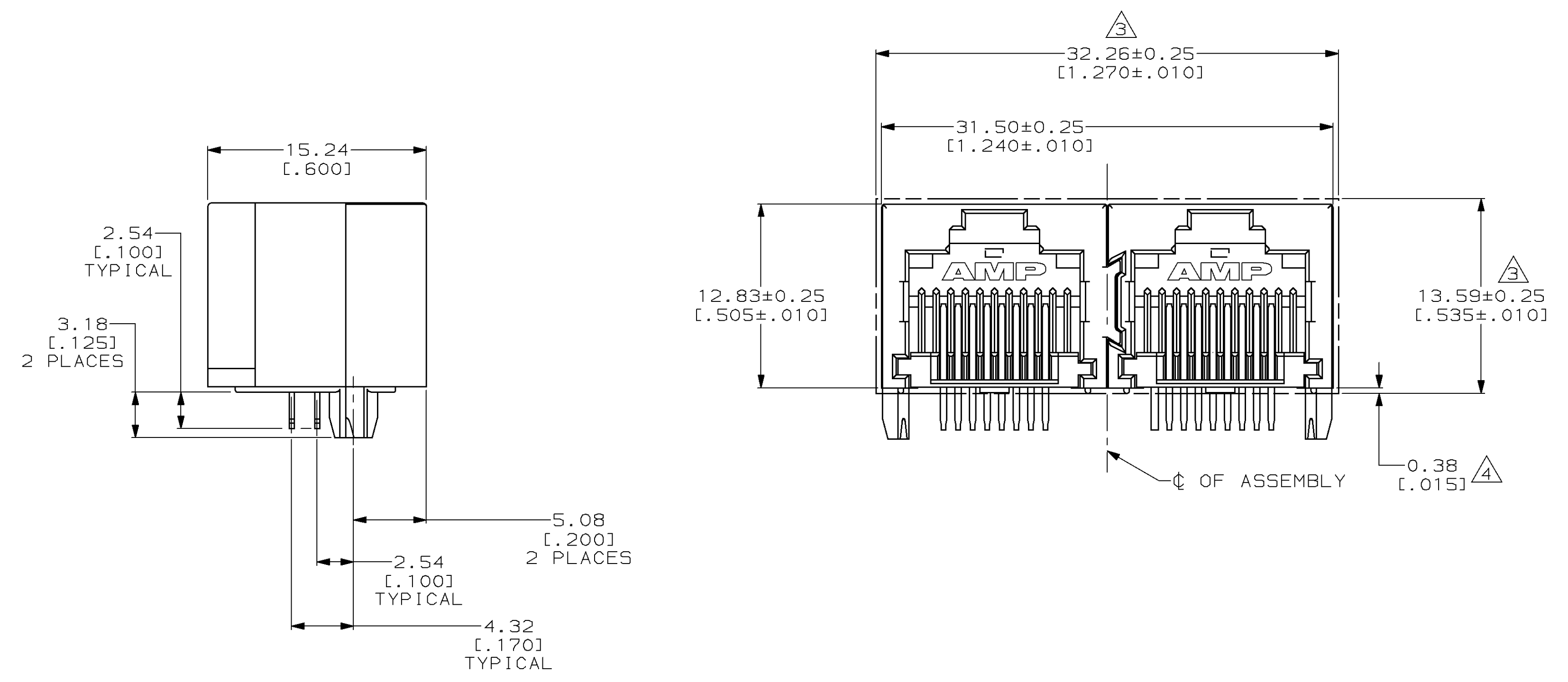
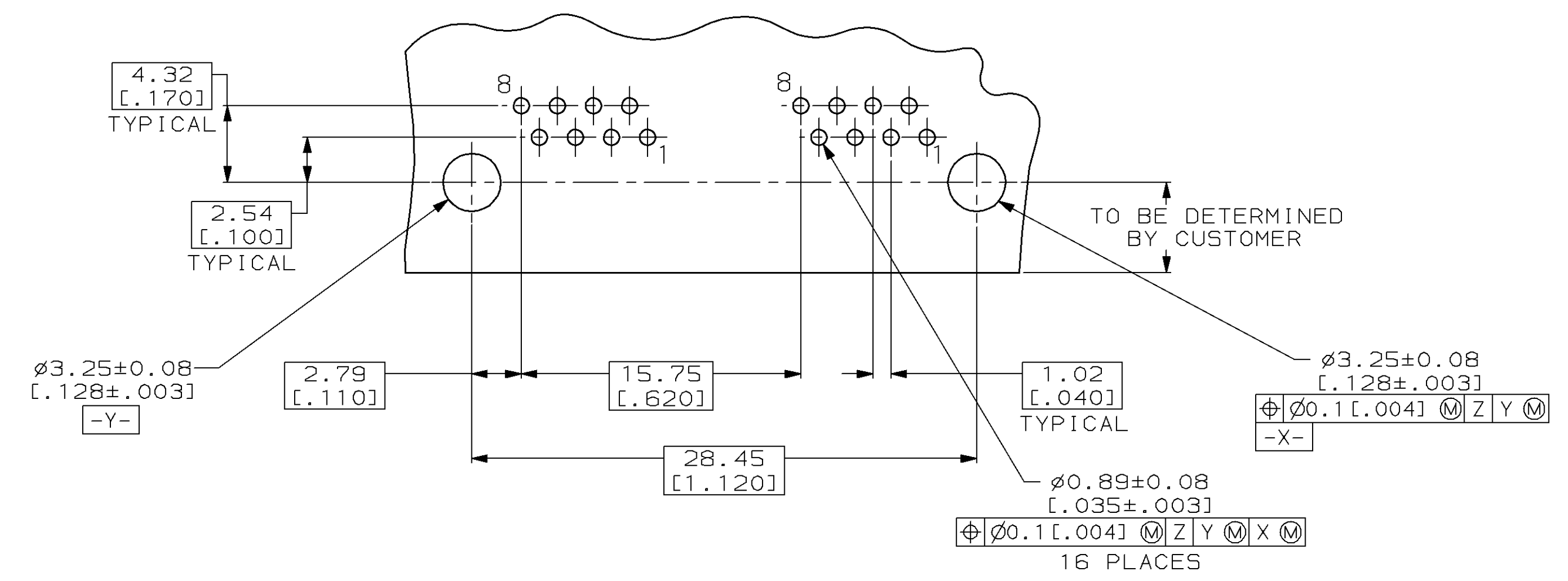
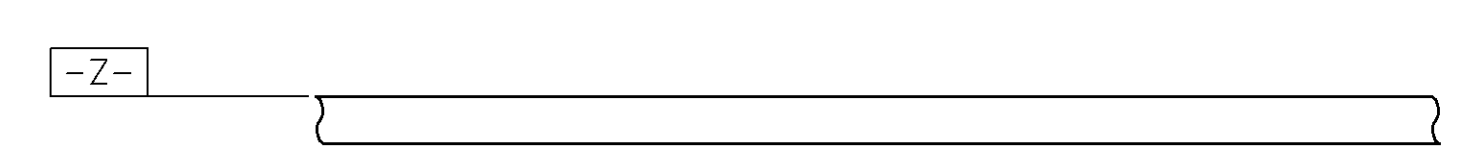


LOC		DIST		REVISIONS			
P	LR	DESCRIPTION	DATE	OWN	APVD		
A		REV; EC 0502-0351-98	22JUN98	DD	EL		



- 1 MATERIAL:
 HOUSING - HIGH TEMPERATURE THERMOPLASTIC, BLACK, UL94V-0; IR REFLOW SOLDERING PROCESS COMPATIBLE.
 TERMINALS - .36 [0.014] THICK PHOS BRONZE PLATED WITH 3.81µm [0.000150] MINIMUM THICK BRIGHT TIN LEAD IN SOLDER AREA. 1.27µm [0.000050] MINIMUM GOLD IN LOCALIZED PLATE AREA. ENTIRE TERMINAL PLATED WITH 1.27µm [0.000050] MINIMUM THICK NICKEL.
2. JACK CAVITY CONFORMS TO FCC RULES AND REGULATIONS PART 68, SUBPART F.
- 3 SUGGESTED PANEL OPENING DIMENSIONS.
- 4 SUGGESTED CLEARANCE BETWEEN BOTTOM OF CONNECTOR AND BOTTOM PANEL OPENING.



SUGGESTED PRINTED CIRCUIT BOARD LAYOUT
 (COMPONENT SIDE)

406526-1
 PART NUMBER

THIS DRAWING IS A CONTROLLED DOCUMENT.		DWN T. WOOTEN 22SEP97	AMP Incorporated Harrisburg, PA 17105-3508	
DIMENSIONS: mm [INCHES]		CHK T. SPRINKLE 29SEP97	NAME M. DERSTINE 060CT97	
TOLERANCES UNLESS OTHERWISE SPECIFIED:		PRODUCT SPEC 108-1163-4		
0 PLC ±0.25		APPLICATION SPEC 114-2154		
1 PLC ±0.15		SIZE A1		
2 PLC ±0.10		CAGE CODE 00779		
3 PLC ±0.075		DRAWING NO 406526		
4 PLC ±0.05		WEIGHT -		
ANGLES ±0.5		SCALE 4:1		
FINISH -		SHEET 1 OF 1		
MATERIAL		CUSTOMER DRAWING		