

4

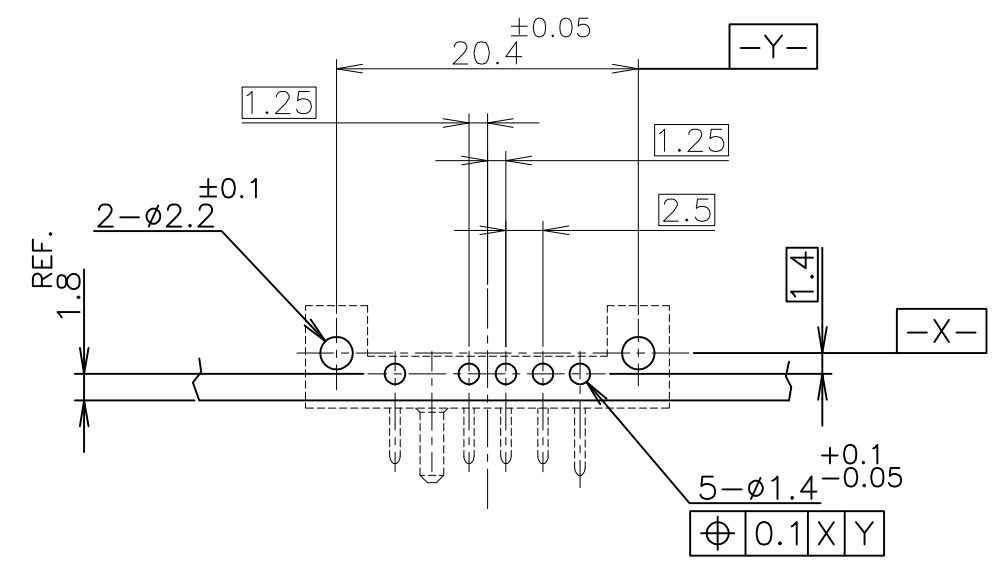
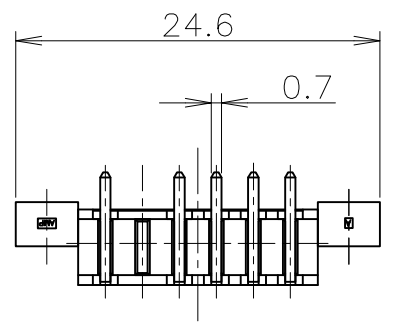
3

2

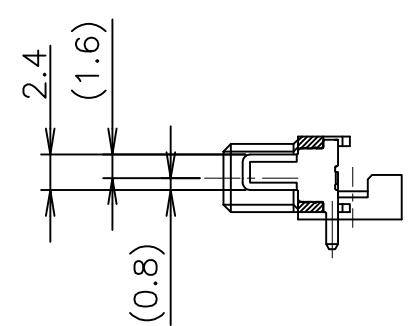
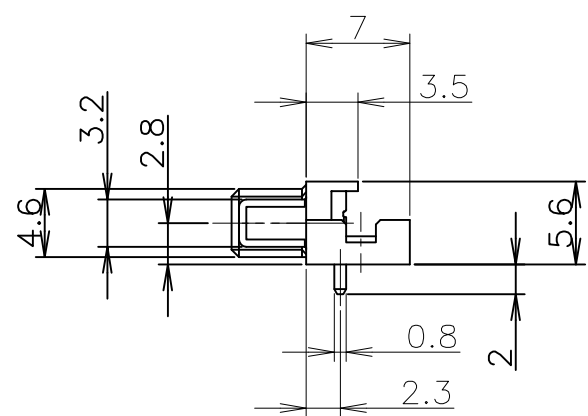
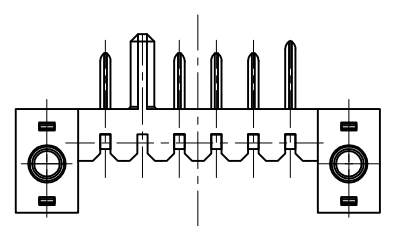
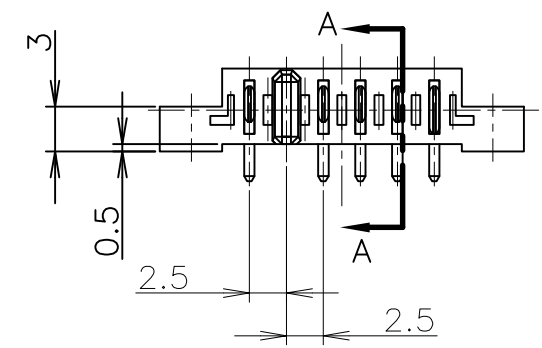
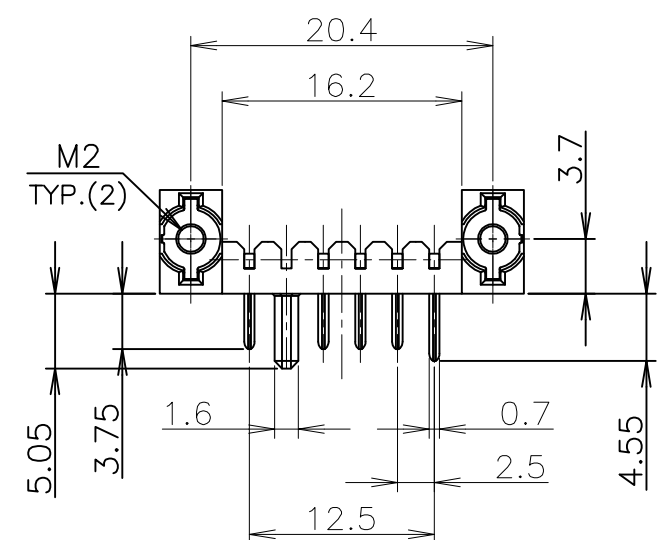
1

THIS DRAWING IS UNPUBLISHED. RELEASED FOR PUBLICATION OCT ,2004.
 © COPYRIGHT 2004 BY TYCO ELECTRONICS CORPORATION. ALL RIGHTS RESERVED.

LOC		DIST		REVISIONS				
P	LTR	DESCRIPTION			DATE	DWN	APVD	
ES	/	B	REVISED PER ECR-10-011717			30MAY2010	S.W	S.Y



RECOMMENDED P.C.BOARD LAYOUT
 P.C.BOARD THK 0.8~1.2
 (VIEW FROM CONNECTOR MOUNTING SIDE)



- 1 MATERIAL HOUSING : THERMOPLASTIC RESIN, UL94V-0
COLOR ; BLACK
- CONTACT : COPPER ALLOY
- NUT-PLATE : STAINLESS STEEL
- 2 FINISH CONTACT : Ni ALL OVER UNDER PL
Pd-Ni PL. AT CONTACT AREA
Au FLASH PL. AT CONTACT AREA
Au FLASH PL. AT LEAD AREA

6376042-2 : AS SHOWN

GENERAL TOLERANCE
 10 ≥ : ±0.2
 30 ≥ > 10 : ±0.25
 100 ≥ > 30 : ±0.3
 ANGLES : ±3°

THIS DRAWING IS A CONTROLLED DOCUMENT.		DWN	T.KATANO	08OCT04	Tyco Electronics Shanghai, P.R.China, 200233
DIMENSIONS: mm		CHK	T.KIMURA	08OCT04	
TOLERANCES UNLESS OTHERWISE SPECIFIED:		APVD	K.IKEGAMI	08OCT04	
0 PLC ± - 1 PLC ± - 2 PLC ± - 3 PLC ± - 4 PLC ± - ANGLES ± -		NAME 108-78211 APPLICATION SPEC			
MATERIAL		FINISH		SIZE	A3
1		2		CAGE CODE	00779
CUSTOMER DRAWING		SCALE		DRAWING NO	6376042
		2:1		RESTRICTED TO	-
		SHEET		1 OF 1	REV
					B